

Data sheet

Commercial Art.No.: 96.051.4151.4

Connector RST20i5S B1 ZR2S L BR0

RST20i5 connector, 5 pole, female, screw connection, application ~50V/-120V, 20A, for cable diameters 10-14mm, coding color signal brown, color of housing black



Commercial Art.No.	96.051.4151.4
EAN	4015573890985
Order Unit	1

Certificates / Approvals



LR

RINA



Technical data

General

Rated current	20 A
Rated voltage	50 V / 120 V
Rated impulse voltage	4 kV
strain relief	yes
Pollution degree	3
Lockable	self-locking (unlocking by tool)
Color of coding/ contact carrier	signal brown
Marking of poles	1, 2, 3, 4, 5
Color of housing inclusive strain relief	black

Connection Data

Cable diameter max.	14 mm
Cable diameter min.	10 mm
Connection cross section solid mm ² max.	4 mm ²
Connection cross section solid mm ² min.	0.75 mm ²
Connection cross section solid AWG min.	18 AWG
Connection cross section solid AWG max.	14 AWG
Connection cross section fine stranded mm ² max.	4 mm ²
Connection cross section fine stranded mm ² min.	0.75 mm ²
Terminations per pole	1
Connection cross section stranded mm ² min.	0.75 mm ²
Connection cross section stranded mm ² max.	4 mm ²
Connection cross section stranded AWG min.	18 AWG
Connection cross section stranded AWG max.	14 AWG
sheath strip length	26.5 mm

Wire strip length	8 mm
-------------------	------

Model

Model	female
Connection type	screw connection
Degree of protection (IP)	IP66/68 (3m;2h) /IP69

Material

Housing material	Polyamide
halogen free	yes
Contact material	CuZn
Fire load	0.29 kWh
Insulation components continuous temperature	100 °C
Surface finish	Silver-plated

Dimensions

Length	80.4 mm
Width	34.6 mm
Height	34.6 mm

Classification

ECLASS 11	
ECLASS 8.1	27440605
ETIM 7.0	EC002560
ETIM 6.0	EC002560
ETIM 5.0	EC002560
ETIM 4.0	EC002560

Note

Note	RST® terminals with screw clamping allow the connection of conductors without special preparation (without ferrules) according to EN 60999-1.
------	---

Product compliance

ROHS conformity status	Compliant/Exempted
ROHS exceptions	III-6(c)
REACH-SVHC conformity status	Duty-To-Declare
REACH-SVHC substances	Lead
REACH-SVHC CAS numbers	7439-92-1

Accessories

Commercial Art.No.:	Article-type description:	Description:
99.530.0000.7	Cover for female connector SW	RST20i5/4 cover piece, for covering unused female connectors, with fastening belt, color black
Z5.565.9853.1	Cover for female connector SW	RST20i5/4 cover piece, for covering unused female connectors, color black
05.564.8653.1	Opener RST20i3/i5 SCHWARZ	Manual disconnect for later installation of RST connectors, color black

Fits with

Commercial Art.No.:	Article-type description:	Description:
96.052.4151.4	Connector RST20i5S S1 ZR2SVL BR0	RST20i5 connector, 5 pole, male, screw connection, application ~50V/-120V, 20A, for cable diameters 10-14mm, coding color signal brown, color of housing black
96.054.4151.4	Connector RST20i5S S1 YR2SVL BR01	RST20i5 connector (90° angled), 5 pole, male, screw connection, application ~50V/-120V, 20A, for cable diameters 10-14mm, coding color signal brown, color of housing black
96.052.5051.4	Device connector RST20i5S S1 M01VL BR0	RST20i5 device connector M25, 5 pole, male, screw connection, application ~50V/-120V, 20A, coding color signal brown
96.052.6151.4	Device connector RST20i5S S1 M03VL BR0	RST20i5 device connector M16, 5 pole, male, screw connection, modular, application ~50V/-120V, 20A, coding color signal brown, color of housing black
96.052.6051.4	Device connector RST20i5S S1 M00VL BR0	RST20i5 device connector M20, 5 pole, male, screw connection, modular, application ~50V/-120V, 20A, coding color signal brown, color of housing black
96.054.6051.4	Device connector RST20i5S S1 M90VL BR0	RST20i5 device connector (90° angled) M20, 5 pole, male, screw connection, modular, application ~50V/-120V, 20A, coding color signal brown, color of housing black
96.054.6251.4	Device connector RST20i5S S1 M91VL BR0	RST20i5 device connector (90° angled) M25, 5 pole, male, screw connection, modular, application ~50V/-120V, 20A, coding color signal brown, color of housing black

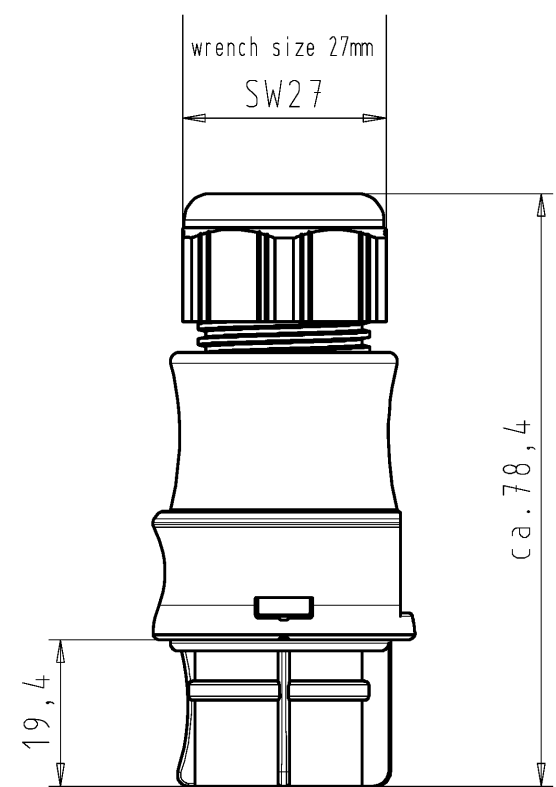
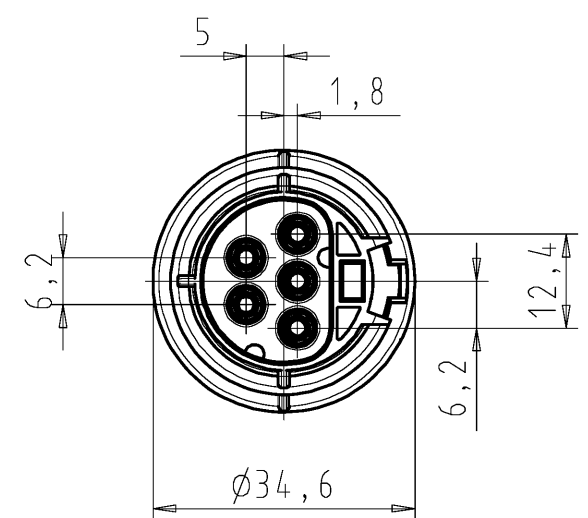
These dimensions will be especially checked at delivery
Only inspection dimensions
With /E marked dimensions are only valid for internal use

Diese Maße werden bei Abnahme besonders geprüft
Ausschließlich Prüfmaße
Mit /E gekennzeichnete Maße sind nur für interne Zwecke gültig

○

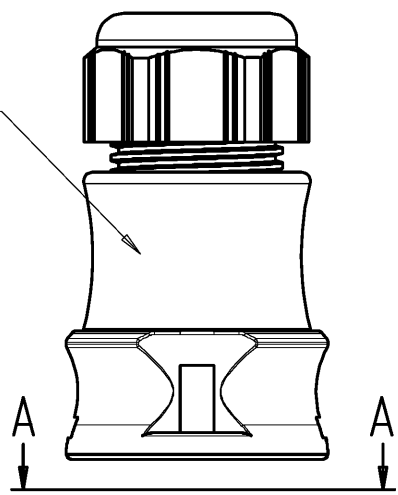
E

F

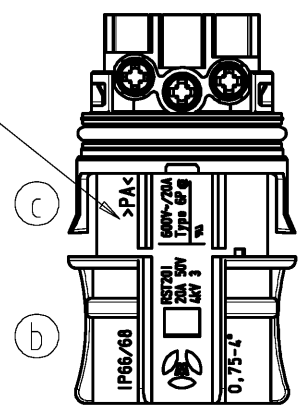


Auslieferungszustand delivery status

cable diameter 10-14mm
für Kabeldurchm. 10-14mm
color: black,
similar to RAL 9005
Farbe: schwarz,
ähnl. RAL 9005

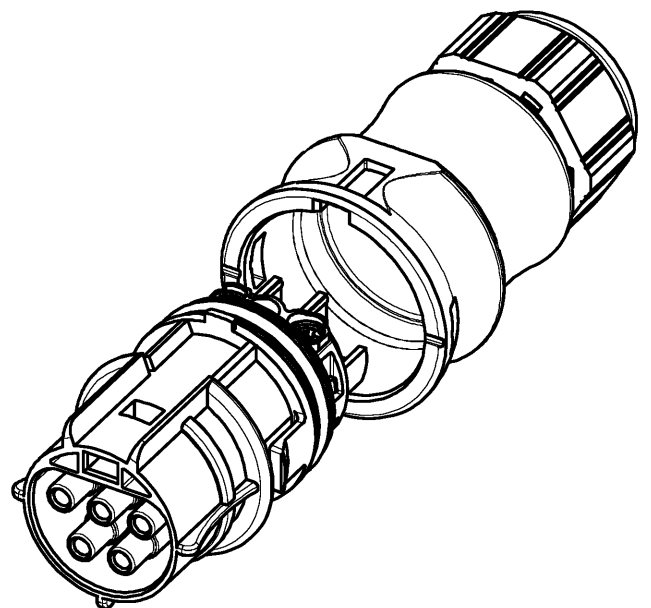
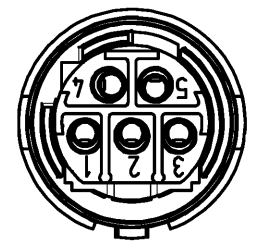


color: signalbrown,
similar to RAL 8002
Farbe: signalbraun,
ähnl. RAL 8002



Verpackungseinheit: je 100 Stück
packaging unit: per 100

A-A



Type: RST2015S B1 ZR2SVL BR01

Tolerierung Size ISO 14405 (E) / Tolerance system Size ISO 14405 (E). (This ISO-standard describes the envelope principle. According to the envelope principle the deviations of form and parallelism are limited by the size tolerances).		nein/no <input checked="" type="checkbox"/> Stoffverbots- und Deklarationsliste nach WN 5020.010 ist einzuhalten. Conformity with Wieland document WN 5020.010 e (list of prohibited / declarable hazardous substances) to be declared!	
Freitoleranz nach General tolerance		CAD - Zeichnung, keine manuellen Änderungen CAD - drawing, no manual modifications allowed	
1. Verwendung: First Use:		Blatt: 1 von 1 Sheet: of 1	
Zeichnung Nr./Drawing No.		Index	
96.051.4151.4 01K		c	
Maße in mm/Dimensions are in mm			
c	18.12.2014/	Vol.	mm ³ Of l./Surf. mm ²
b	31.01.2011/		
a	07.02.2006/		
Index	Datum / Blatt Date / Sheet		
Änderung/Revision			
Werkstoff/Material		2006	Tag/Date
		gezeichnet drawn	31.01. Kneitz
		geprüft checked	- -
		Normgepr. Stand. check	- -
Ersatz für/Replacement for:		96.051.4153.4 01K von 05.01.2006	
www.wieland-electric.com		Type	Benennung/Title
			BUCHSENTE IL MIT ZUGENTLASTUNG
		female connector with cord grip	
		Schraubanschluss ohne Drahtschutz/screw-connection without wire protection	
		Kodierung/keying 1 (Niedervolt/low voltage)	

Weitergabe sowie Vervielfältigung dieses Dokuments, Verwertung und Mitteilung seines Inhalts sind verboten, soweit nicht ausdrücklich gestattet. Die Reproduktion, Distribution und Utilization of this document as well as the communication of its contents to others without express authorization is prohibited.