

Data sheet

Commercial Art.No.: 96.152.1053.1

Device connector RST20i5C S1 M01V SW

RST20i5 device connector M25, 5 pole, male, for crimp contacts, application 250/400V with PE, 20A, coding color black



Commercial Art.No.	96.152.1053.1
EAN	4015573933750
Order Unit	1

Certificates / Approvals



Technical data

General

Rated current	20 A
Rated voltage	250 V / 400 V
Pollution degree	3
Rated impulse voltage	4 kV
Lockable	self-locking (unlocking by tool)
Color of coding/ contact carrier	black
Marking of poles	1, 2, 3, N, PE

Connection Data

Connection cross section fine stranded mm ² max.	4 mm ²
Connection cross section fine stranded mm ² min.	0.75 mm ²
Terminations per pole	1
Wire strip length	7 mm
Connection cross section stranded AWG min.	18 AWG
Connection cross section stranded AWG max.	12 AWG

Model

Model	male
Connection type	Crimp
Connecting thread metric	M25
Angle of plug	straight
Degree of protection (IP)	IP66/68 (3m;2h) /IP69
Thickness of housings (electrical device) 2	0.5 mm

Thickness of housings (electrical device)	8 mm
---	------

Material

Housing material	Polyamide
halogen free	yes
Contact material	CuZn
Fire load	0.124 kWh
Insulation components continuous temperature	100 °C
Surface finish	Silver-plated

Dimensions

Length	41.9 mm
Width	35 mm
Height	35 mm

Classification

ECLASS 11	
ECLASS 8.1	27440602
ETIM 7.0	EC002566
ETIM 6.0	EC002566
ETIM 5.0	EC002566
ETIM 4.0	EC002566

Note

Note	Crimp contacts have to ordered separately (under fits with); Positioning realised with flattened thread
------	--

Product compliance

ROHS conformity status	Compliant
REACH-SVHC conformity status	Compliant

Accessories

Commercial Art.No.:	Article-type description:	Description:
05.545.0021.8	Male contact CRIMP RST20i4/i5 1,0QMM	RST20i5/4 crimp contact, male, 20A, for cross section 0.75-1.0 mm ² /AWG17
05.545.0121.8	Male contact CRIMP RST20i4/i5 1,5QMM	RST20i5/4 crimp contact, male, 20A, for cross section 1.5 mm ² /AWG16
05.545.0221.8	Male contact CRIMP RST20i4/i5 2,5QMM	RST20i5/4 crimp contact, male, 20A, for cross section 2.5 mm ² /AWG14
05.545.0321.8	Male contact CRIMP RST20i4/i5 4,0QMM	RST20i5/4 crimp contact, male, 20A, for cross section 4.0 mm ² /AWG12
05.565.9953.1	Cover for male connector SW	RST20i5/4 cover piece, for covering unused male connectors, color black
99.532.0000.7	Cover for male connector SW	RST20i5/4 cover piece, for covering unused male connectors, with fastening belt, color black

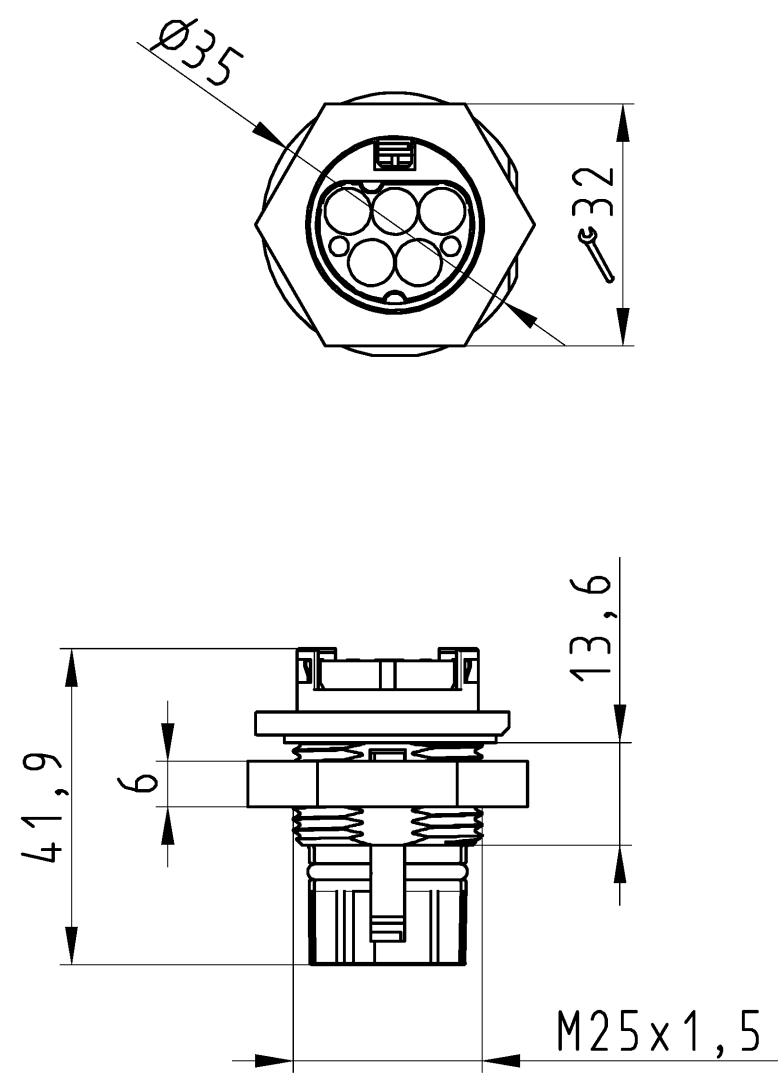
Fits with

Commercial Art.No.:	Article-type description:	Description:

96.151.0053.1	Connector RST20I5C B1 ZR1 SW	RST20i5 connector, 5 pole, female, for crimp contacts, application 250/400V with PE, 20A, for cable diameters 6-10mm, coding color black, color of housing black
96.151.0153.1	Connector RST20I5C B1 ZR2 SW	RST20i5 connector, 5 pole, female, for crimp contacts, application 250/400V with PE, 20A, for cable diameters 10-14mm, coding color black, color of housing black
96.151.0553.1	Connector RST20I5C B1 ZR3 SW	RST20i5 connector, 5 pole, female, for crimp contacts, application 250/400V with PE, 20A, for cable diameters 14-18mm, coding color black, color of housing black
96.153.0053.1	Connector RST20I5C B1 YR1 SW	RST20i5 connector (90° angled), 5 pole, female, for crimp contacts, application 250/400V with PE, 20A, for cable diameters 6-10mm, coding color black, color of housing black
96.153.0153.1	Connector RST20I5C B1 YR2 SW	RST20i5 connector (90° angled), 5 pole, female, for crimp contacts, application 250/400V with PE, 20A, for cable diameters 10-14mm, coding color black, color of housing black

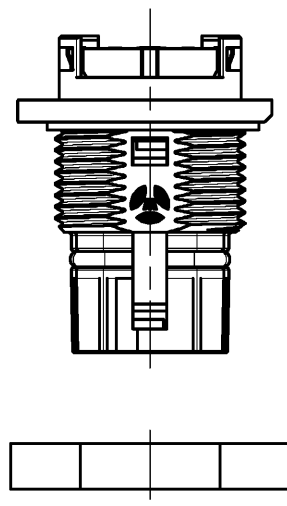
These dimensions will be especially checked at delivery
 Only inspection dimensions
 With /E marked dimensions are only valid for internal use

Diese Maße werden bei Abnahme besonders geprüft
 Ausschließlich Prüfmaße
 Mit /E gekennzeichnete Maße sind nur für interne Zwecke gültig



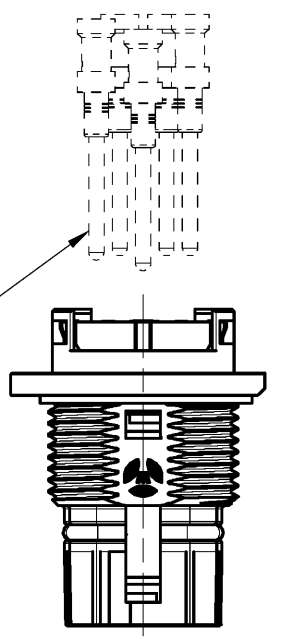
Öffnungsbild siehe 96.031.1053.1 14K
 opening dimension see 96.031.1053.1 14K

Auslieferungszustand
 delivery status

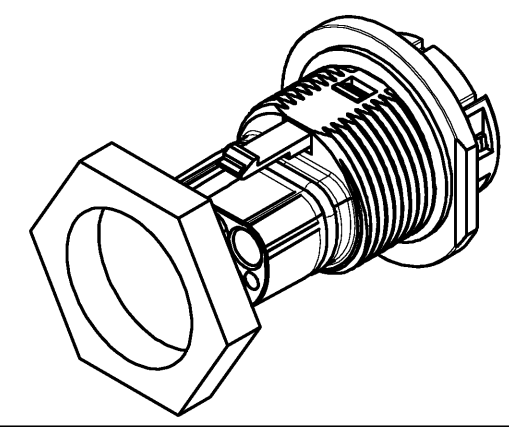


Verpackungseinheit: je 100 Stück
 packaging unit: per 100

Bestellhinweis
 /order info



Steckerkontakte/ male contact
 Bitte separat bestellen
 /must be ordered separately
 05.545.00/01/02/0321.8



96.152.1053.1	RST2015C S1 M01V SW	schwarz /black
96.152.1053.0	RST2015C S1 M01V GL	lichtgrau /lightgrey
Bestellnummer /Order number	Typ /Type	Farbe /color
Weitere Daten siehe KATALOG oder eKatalog. Additional data see CATALOG or eCatalog.		www.wieland-electric.com eshop.wieland-electric.com

Tolerierung Size ISO 14405(®)/Tolerance system Size ISO 14405(®). (This ISO-standard describes the envelope principle. According to the envelope principle the deviations of form and parallelism are limited by the size tolerances).		ja/yes <input checked="" type="checkbox"/> Stoffverbots- und Deklarationsliste nach WN 5020.010 ist einzuhalten. Conformity with Wieland document WN 5020.010 e (list of prohibited / declarable hazardous substances) to be declared!	
Freitoleranz nach General tolerance	CAD - Zeichnung, keine manuellen Änderungen CAD - drawing, no manual modifications allowed	1.Verwendung: First Use:	Blatt: 1 von 1 Sheet: of 1
	Werkstoff/Material	2015 Tag/Date	Name
	Maßstab/Scale	gezeichnet drawn	09.07. Nagengast F.
	1:1	geprüft checked	
	Vol. mm³	Normgepr. Stand. check	
	Ofl./Surf. mm²	Ersatz für/Replacement for: -	
		Type	Benennung/Title
			STECKERTEIL male connector
Index	Datum / Blatt Date / Sheet	www.wieland-electric.com	
Änderung/Revision			

Weitergabe sowie Vervielfältigung dieses Dokuments, Verwertung und Mitteilung seines Inhalts sind verboten, soweit nicht ausdrücklich gestattet.
 The reproduction, distribution and utilization of this document as well as the communication of its contents to others without express authorization is prohibited.