

Data sheet

Commercial Art.No.: 92.207.4003.1

Cable assembly GST18i4KSB- 15 40SW

GST18i4 extension cable female - free end, length 4.0 m, 4 pole, coding mains 250 V/ 400 V, 16 A, coding color black, strain relief color black, cable color black, cross section 1.5 mm², cable type H05VV-F, fire class: Eca



Commercial Art.No.	92.207.4003.1
EAN	4015573492165
Order Unit	1

Certificates / Approvals



Technical data

General

Rated current	16 A
Rated voltage	250 V / 400 V
Rated impulse voltage	4 kV
Pollution degree	2
Mechanical coding	Code 1
Lockable	self-locking (unlocking by tool)
Color of coding/ contact carrier	black
Marking of poles	2, N, PE, 1
Color of housing inclusive strain relief	black

Model

Nominal cross section conductor	1.5 mm ²
Degree of protection (IP)	IP20
Wire strip length	9 mm
sheath strip length	35 mm
Preparation of conductor ends	ultrasonically compressed wire ends
Cable type	H05VV-F
Cable color	black
Cable diameter max.	9.2 mm
Version of cable	female - free end
Type of cord set	connection cable
Version cable end 1	GST18i4 female

Version cable end 2	free end
---------------------	----------

Material

Surface finish	Tin-plated
halogen free	No
Continuous temperature of cable	70 °C
Insulation components continuous temperature	100 °C
Fire load	1.833 kWh
Fire class	Eca

Dimensions

Total length	4 m
--------------	-----

Classification

ECLASS 11	
ECLASS 8.1	27440604
ETIM 7.0	EC002587
ETIM 6.0	EC002587
ETIM 5.0	EC002587
ETIM 4.0	EC002587

Product compliance

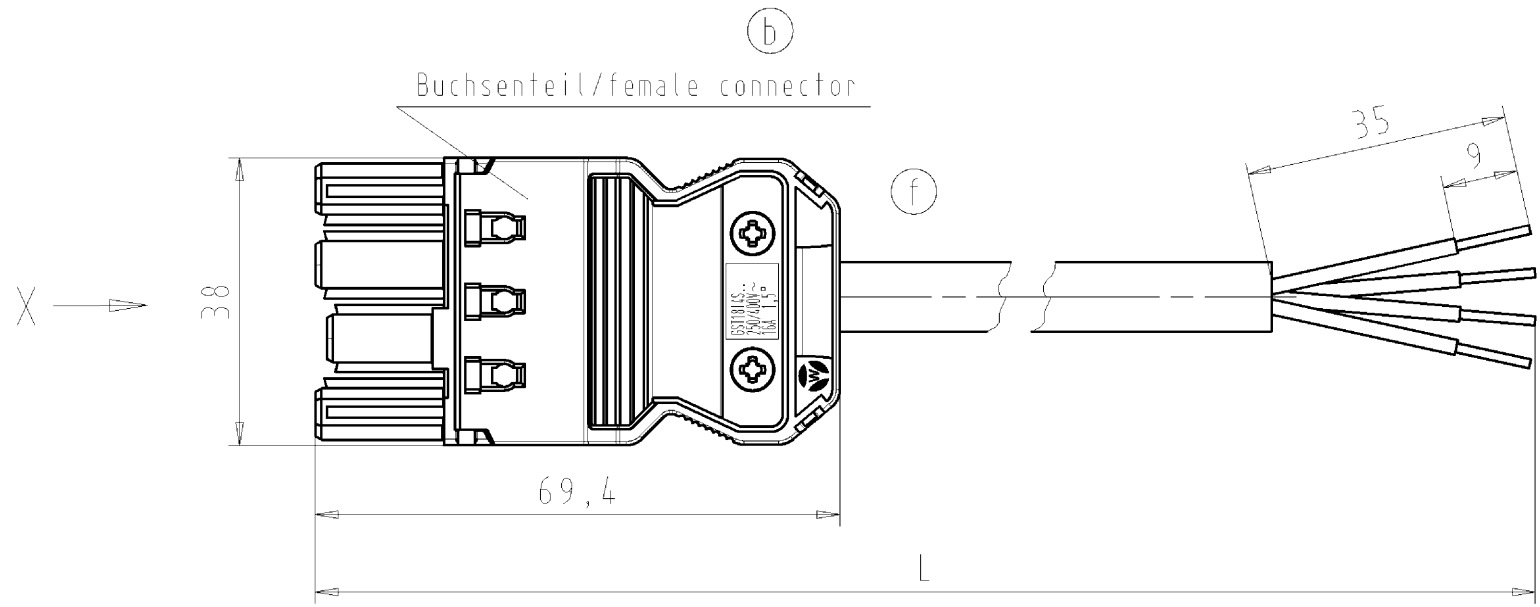
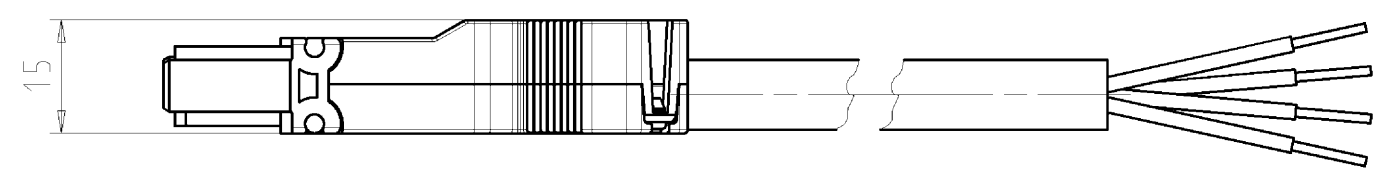
ROHS conformity status	Compliant/Exempted
ROHS exceptions	III-6(c)
REACH-SVHC conformity status	Duty-To-Declare
REACH-SVHC substances	Lead
REACH-SVHC CAS numbers	7439-92-1

Accessories

Commercial Art.No.:	Article-type description:	Description:
05.587.3156.0	Lock (G)ST18 WS	Locking device for cable to cable connection GST18i3-5, white
05.564.5353.0	cover cap GST18i3/4/5 SW	Cover piece 12 pole black for female parts GST18i3-6
05.564.5353.2	cover cap GST18i3/4/5 WS	Cover piece 12 pole white for female parts GST18i3-6
05.566.9153.0	cover cap GST18i4 BUCHSEN	Cover for female connectors GST18i4, black
05.587.3156.1	Lock (G)ST18 SW	Locking device for cable to cable connection GST18i3-5, black

These dimensions will be especially checked at delivery
Only inspection dimensions
With /F marked dimensions are only valid for internal use

Diese Maße werden bei Abnahme besonders geprüft
Ausschließlich Prüfmaße
Mit /F gekennzeichnete Maße sind nur für interne Zwecke gültig



e Kabel/cable: H05VV-F4G1,5
Farbe/colour: siehe Tabelle/see table

Pol	Aderfarbe
pole	colour of core
a L2	schwarz / black
N	blau / blue
⊕	grün-gelb / green-yellow
a L1	braun / brown

c

d

.F	Farbe colour	Codierung "X" Buchse female	Kabelfarbe / cable colour Zugentlastungsfarbe/strain relief colour
.1	schwarz black	2 N PE 1 	schwarz black
.2	weiß white		weiß white
.3	grau grey	2 N PE 1 	schwarz black

e

Weitere Daten siehe Katalog
further data see catalog

b

Typ/type: GST1814KSB- 15 .. SW = schwarz/black
WS = weiß/white
GR01 = grau/grey

Teile-Nr. part-no.	L	Beispiel (Farbe: schwarz) exampel (colour: black)	Typ type
92.207.XX03.F	XX in dm-Schritten	92.207.1003.1 = 10dm/L= 1000mm	GST1814KSB- 15 10SW
U2.207.XX03.F	XX in m-Schritten	U2.207.1203.1 = 12 m/L=12000mm	GST1814KSB- 15 X10SW
Tolerierung nach DIN 7167/Tolerance system acc. to DIN 7167. (This DIN-standard describes the envelope principle. According to the envelope principle the deviations of form and parallelism are limited by the size tolerances).		ja/yes <input checked="" type="checkbox"/> Stoffverbots- und Deklarationsliste nach UU-TQM-05/03 ist einzuhalten. Conformity with Wieland document UU-TQM-05/03 (list of prohibited / declarable hazardous substances) to be declared!	
Freitoleranz nach - General tolerance		CAD - Zeichnung, keine manuellen Änderungen CAD - drawing, no manual modifications allowed	1.Verwendung: - First Use:
Blatt: 1 von 1 Sheet: of 1		Zeichnung Nr./Drawing No. Index	
f 27.01.2012/		Werkstoff/Material	2004 Tag/Date Name
e 10.02.2006/ Maßstab/Scale		gezeichnet drawn	14.05. Schmitt J.
d 11.10.2005/ %		geprüft checked	T 92.207.0503.1 01K f
c 04.07.2005/ Vol. mm ³ Ofl./Surf. mm ²		Normgepr. Stand. check	Maße in mm/Dimensions are in mm
b 08.02.2005/		Ersatz für/Replacement for:	
a 09.09.2004/		Type Benennung/Tittle	
Index Datum / Blatt Date / Sheet		PRE-ASSEMBLED CABLE KONFEKT_LEITUNG	
Änderung/Revision		Buchse/female - freies Ende/free end 1,5gmm Schraubanschluß/screw connection 250V	



Weitergabe sowie Vervielfältigung dieses Dokuments, Verwendungs- und Mitteilung seines Inhalts sind verboten, soweit nicht ausdrücklich gestattet.
The reproduction, distribution and utilization of this document as well as the communication of its contents to others without express authorization is prohibited.

922070503101K_2 CADW2037.dwg 2012-01-31T08:16:17 1.000