

Data sheet

Commercial Art.No.: 92.238.6060.1

Cable assembly GST18i3K1BS 25H 60SW

GST18i3 connection cable female - male, length 6.0 m, 3 pole, coding mains 250 V, 20 A, coding color black, strain relief color black, cable color black, cross section 2.5 mm², cable type H05Z1Z1-F, fire class: Eca



Commercial Art.No.	92.238.6060.1
EAN	4015573594890
Order Unit	1

Certificates / Approvals



Technical data

General

Rated current	20 A
Rated voltage	250 V
Rated impulse voltage	4 kV
Pollution degree	2
Mechanical coding	Code 1
Lockable	self-locking (unlocking by tool)
Color of coding/ contact carrier	black
Marking of poles	L, N, PE
Color of housing inclusive strain relief	black

Model

Nominal cross section conductor	2.5 mm ²
Degree of protection (IP)	IP20
Cable type	H05Z1Z1-F
Cable color	black
Cable diameter max.	10.2 mm
Version of cable	female - male
Type of cord set	connecting cable
Version cable end 1	GST18i3 female
Version cable end 2	GST18i3 plug

Material

Surface finish	Tin-plated
----------------	------------

halogen free	yes
Continuous temperature of cable	70 °C
Insulation components continuous temperature	100 °C
Fire load	3.571 kWh
Fire class	Eca

Dimensions

Total length	6 m
--------------	-----

Classification

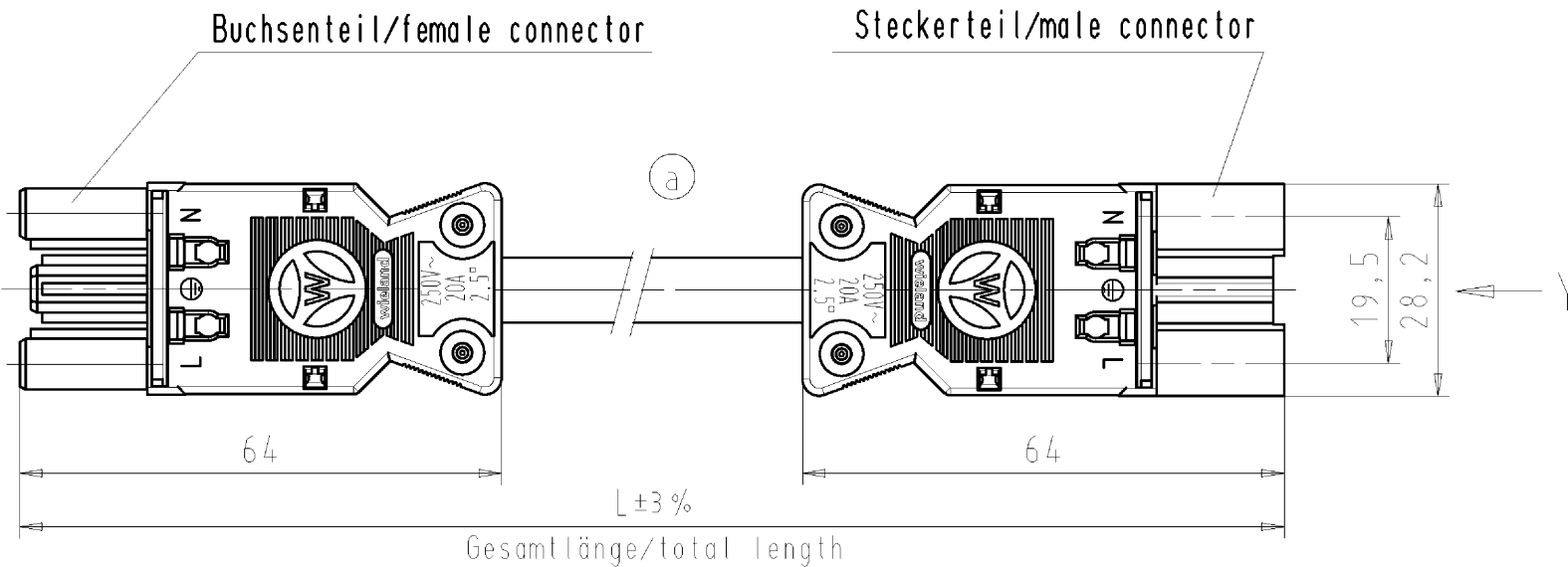
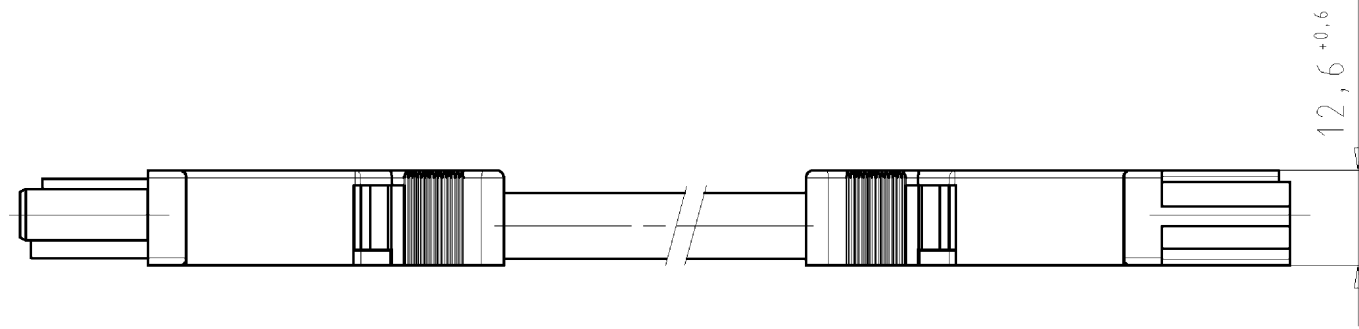
ECLASS 11	
ECLASS 8.1	27440604
ETIM 7.0	EC002587
ETIM 6.0	EC002587
ETIM 5.0	EC002587
ETIM 4.0	EC002587

Product compliance

ROHS conformity status	Compliant/Exempted
ROHS exceptions	III-6(c)
REACH-SVHC conformity status	Duty-To-Declare
REACH-SVHC substances	Lead
REACH-SVHC CAS numbers	7439-92-1

Accessories

Commercial Art.No.:	Article-type description:	Description:
05.587.3156.0	Lock (G)ST18 WS	Locking device for cable to cable connection GST18i3-5, white
06.561.7853.0	mounting frame GST18i3 SW	Mounting frame to snap in GST18i3 connectors into a housing or furniture. Wall thickness: 1,5-2,5 mm. Holds GST18i3 connectors with screw or spring connection and pre- assembled cables.
05.561.3653.0	cover cap GST18i3VS B WS	Cover piece for female GST18i3, white
05.561.3653.1	cover cap GST18i3VS B SW	Cover piece for female GST18i3, black
05.564.5353.0	cover cap GST18i3/4/5 SW	Cover piece 12 pole black for female parts GST18i3-6
05.564.5353.2	cover cap GST18i3/4/5 WS	Cover piece 12 pole white for female parts GST18i3-6
05.594.4250.0	cover cap ST18/3B + GST18i3 ST WS	
05.594.4253.0	cover cap ST18/3B + GST18i3 ST WS	
05.587.3156.1	Lock (G)ST18 SW	Locking device for cable to cable connection GST18i3-5, black
06.560.0300.0	mounting part GST18i3 SW	Lock system to provide accidental disconnection of "flying donnections" and to fix these connections to cable ladders or cable trays. Reduction of shearing forces on the strain reliefs Colour: black



Kabeltype/cable-type H05Z1Z1-F3G2,5 halogenfrei/halogen-free
 Farbe/colour: siehe Tabelle/see table

.F	Farbe colour	Codierung "X" Buchse female	Codierung "Y" Stecker male	Kabelfarbe cable colour
.1	schwarz black	N ⊕ L	L ⊕ N	schwarz black
.2	weiß white	N ⊕ L	L ⊕ N	weiß white
.3	grau grey	N ⊕ L	L ⊕ N	schwarz black
.5	rot red	N ⊕ L	L ⊕ N	schwarz black

Typ/type: GST1813K1BS 25H..

SW = schwarz/black
 WS = weiß/white
 GR01 = grau/grey
 RT03 = rot/red

Teile-Nr. part-no.	L	Beispiel (Farbe: schwarz) example (colour: black)	Typ type
92.238.XX60.F	XX in dm-Schritten	92.238.1060.1 = 10dm/L= 1000mm	GST1813K1BS 25H 10SW
U2.238.XX60.F	XX in m-Schritten	U2.238.1260.1 = 12 m/L=12000mm	GST1813K1BS 25H X12SW
92.238.XX80.F	XX in dm-Schritten	92.238.1080.1 = 10dm/L= 1000mm	

80.F = spezielle Verpackung und Etikettierung nach A 1960.000
 special packaging and label according to A 1960.000

Tolerierung Size ISO 14405/Tolerance system Size ISO 14405. (This ISO-standard describes the envelope principle. According to the envelope principle the deviations of form and parallelism are limited by the size tolerances).		ja/yes <input checked="" type="checkbox"/> Stoffverbots- und Deklarationsliste nach UU-TOM-05/03 ist einzuhalten. Conformity with Wieland document UU-TOM-05/03 (list of prohibited / declarable hazardous substances) to be declared!	
Freitoleranz nach General tolerance		CAD - Zeichnung, keine manuellen Änderungen CAD - drawing, no manual modifications allowed	1. Verwendung: - First Use:
Blatt: 1 von 1 Sheet: of 1		Zeichnung Nr./Drawing No. Index	
Werkstoff/Material		2006 Tag/Date Name	T 92.238.0260.1 01K b
Maßstab/Scale		gezeichnet/drawn 01.02. DUETSCH T.	
%		geprüft/checked - -	
Vol. mm ³ Ofl./Surf. mm ²		Normgepr. Stand. check - -	Maße in mm/Dimensions are in mm
Ersatz für/Replacement for: -		Type Benennung/Titel	
b 09.01.2013/ a 21.11.2012/ Index Datum / Blatt Date / Sheet		PRE-ASSEMBLED CABLE KONFEKT_LEITUNG	
Änderung/Revision		Buchse/female - Stecker/male Crimpversion K1 ⓐ 250V AC 20A 2,5qmm halogen-free	

Weitere Daten siehe Katalog
 further data see catalog



922380260101K_2_CADW3027_Duetsch 2013-01-10T08:04:36 1.000