

## Data sheet

Commercial Art.No.: 02.125.3029.8

Female contact D 3,6- 2,5 QMM AG

Female contact, turned Ø 3,6 mm, 2,5 mm<sup>2</sup>, AWG 14, Ag



|                    |               |
|--------------------|---------------|
| Commercial Art.No. | 02.125.3029.8 |
| EAN                | 4015573681750 |
| Order Unit         | 100           |

## Technical data

### General

|  |                     |
|--|---------------------|
| Wire strip length  | 10 mm               |
| Min. conductor cross section flexible wire                 | 2.5 mm <sup>2</sup> |
| Max. conductor cross section flexible wire                 | 2.5 mm <sup>2</sup> |
| Min. UL/CSA wire diameter flexible wire                    | 14 AWG              |
| Max. UL/CSA wire diameter flexible wire                    | 14 AWG              |
| Connection type  | Crimp               |
| Material   | Other               |
| Massive contact  | yes                 |
| Contact pin diameter                                       | 3.6 mm              |
| Inflammability class of insulation material acc. with UL94 | Other               |
| Contact resistance   | ≤ 1 mOhm            |

### Classification

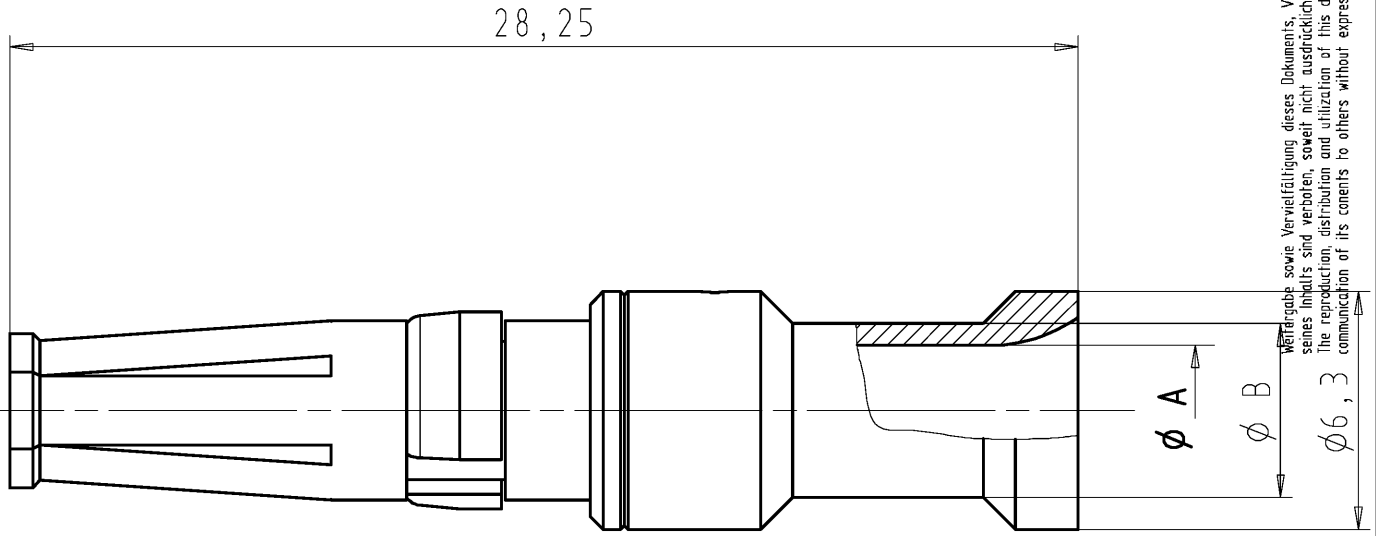
|            |          |
|------------|----------|
| ECLASS 11  |          |
| ECLASS 8.1 | 27440204 |
| ETIM 7.0   | EC000796 |
| ETIM 6.0   | EC000796 |
| ETIM 5.0   | EC000796 |
| ETIM 4.0   | EC000796 |
| ETIM 3.0   | EC000796 |

### Product compliance

|                              |                    |
|------------------------------|--------------------|
| ROHS conformity status       | Compliant/Exempted |
| ROHS exceptions              | III-6(c)           |
| REACH-SVHC conformity status | Duty-To-Declare    |
| REACH-SVHC substances        | Lead               |
| REACH-SVHC CAS numbers       | 7439-92-1          |

# Ausführung / version: 02.125.3229.8

These dimensions will be especially checked at delivery  
 Only inspection dimensions  
 With /E marked dimensions are only valid for internal use



Weitergabe sowie Vervielfältigung dieses Dokuments, Verwertung und Mitteilung seines Inhalts sind verboten, soweit nicht ausdrücklich gestattet. Die Reproduktion, Distribution und Utilization of this document as well as the communication of its contents to others without express authorization is prohibited.

Diese Maße werden bei Abnahme besonders geprüft  
 Ausschließlich Prüfmaße  
 Mit /E gekennzeichnete Maße sind nur für interne Zwecke gültig

Weitere Daten siehe Katalog  
 further data see catalog

Ⓐ

|                           |                       |                              |      |      |
|---------------------------|-----------------------|------------------------------|------|------|
| 02.125.3329.8             | Ni3 Ag3               | 10 mm <sup>2</sup>           | 4,4  | 5,9  |
| 02.125.3229.8             | Ni3 Ag3               |                              |      |      |
| 02.125.3229.6             | Cu3 Sn1               | 6 mm <sup>2</sup>            | 3,45 | 4,6  |
| 02.125.3129.8             | Ni3 Ag3               | 4 mm <sup>2</sup>            | 2,85 | 3,9  |
| 02.125.3029.8             | Ni3 Ag3               | 2,5 mm <sup>2</sup>          | 2,25 | 3,45 |
| 02.125.2929.8             | Ni3 Ag3               | 1,5 mm <sup>2</sup>          | 1,75 | 3,0  |
| Teile - Nr.<br>part - no. | Oberfläche<br>surface | Querschnitt<br>cross section | ∅ A  | ∅ B  |

Tolerierung Size ISO 14405(E)/Tolerance system Size ISO 14405(E).  
 (This ISO-standard describes the envelope principle. According to the envelope principle the deviations of form and parallelism are limited by the size tolerances).

ja/yes  Stoffverbots- und Deklarationsliste nach WN 5020.010 ist einzuhalten.  
 Conformity with Wieland document WN 5020.010 e (list of prohibited / declarable hazardous substances) to be declared!

Freitoleranz nach DIN ISO 2768 -- m

CAD - Zeichnung, keine manuellen Änderungen  
 CAD - drawing, no manual modifications allowed

1.Verwendung:  
 First Use: -

Blatt: 1 von 1  
 Sheet: 1 of 1

|                                 |                               |                          |                    |  |                 |                               |                           |                     |
|---------------------------------|-------------------------------|--------------------------|--------------------|--|-----------------|-------------------------------|---------------------------|---------------------|
|                                 | /                             |                          | Werkstoff/Material | 2006   | Tag/Date        | Name                          | Zeichnung Nr./Drawing No. | Index               |
|                                 | /                             |                          |                    | gezeichnet<br>drawn  | 27.10.          | Treschan                      |                           |                     |
|                                 | /                             | Maßstab/Scale            |                    | geprüft<br>checked   | -               | -                             | T                         | 02.125.2929.8 01K a |
|                                 | /                             |                          |                    | Normgepr.<br>Stand. check  | -               | -                             |                           |                     |
| Maße in mm/Dimensions are in mm |                               |                          |                    |  |                 |                               |                           |                     |
|                                 | /                             | Vol.                     | mm <sup>3</sup>    | Ofl./Surf.   | mm <sup>2</sup> | Ersatz für/Replacement for: - |                           |                     |
|                                 | /                             | Type                     |                    | Benennung/Title  |                 |                               |                           |                     |
| a                               | 30.01.2015/                   |                          |                    | BUCHSENKONTAKT_KOMPLETT  |                 |                               |                           |                     |
| Index                           | Datum / Blatt<br>Date / Sheet | www.wieland-electric.com |                    | female contact - complete<br>crimp contact for ∅3,6 ; 1,5-10,0 mm <sup>2</sup> |                 |                               |                           |                     |
| Änderung/Revision               |                               |                          |                    |  |                 |                               |                           |                     |