

## Data sheet

Commercial Art.No.: 96.031.4055.7

Connector RST20I3S B1 ZR1SH GN0

RST20i3 connector, 3 pole, female, screw connection, application 250/400V with PE, 20A, for cable diameters 6-10mm, coding color leaf green, color of housing black



Commercial Art.No.	96.031.4055.7
EAN	4015573875135
Order Unit	1

Certificates / Approvals



## Technical data

### General

Rated current	20 A
Rated voltage	250 V / 400 V
Rated impulse voltage	4 kV
strain relief	yes
Pollution degree	3
Lockable	self-locking (unlocking by tool)
Color of coding/ contact carrier	leaves green
Marking of poles	1, 2, PE
Color of housing inclusive strain relief	black

### Connection Data

Cable diameter max.	10 mm
Cable diameter min.	6 mm
Connection cross section solid mm <sup>2</sup> max.	6 mm <sup>2</sup>
Connection cross section solid mm <sup>2</sup> min.	0.75 mm <sup>2</sup>
Connection cross section solid AWG min.	16 AWG
Connection cross section solid AWG max.	10 AWG
Connection cross section fine stranded mm <sup>2</sup> max.	6 mm <sup>2</sup>
Connection cross section fine stranded mm <sup>2</sup> min.	0.75 mm <sup>2</sup>
Terminations per pole	1
Connection cross section stranded mm <sup>2</sup> min.	0.75 mm <sup>2</sup>
Connection cross section stranded mm <sup>2</sup> max.	6 mm <sup>2</sup>
Connection cross section stranded AWG min.	16 AWG
Connection cross section stranded AWG max.	10 AWG
sheath strip length	26.5 mm
Wire strip length	8 mm

**Model**

Model	female
Connection type	screw connection
Degree of protection (IP)	IP66/68 (3m;2h) /IP69

**Material**

Housing material	Polyamide
halogen free	yes
Contact material	CuZn
Fire load	0.294 kWh
Insulation components continuous temperature	100 °C
Surface finish	Silver-plated

**Dimensions**

Length	82 mm
Width	34.6 mm
Height	34.6 mm

**Classification**

ECLASS 11	
ECLASS 8.1	27440605
ETIM 7.0	EC002560
ETIM 6.0	EC002560
ETIM 5.0	EC002560
ETIM 4.0	EC002560

**Note**

Note	RST® terminals with screw clamping allow the connection of conductors without special preparation (without ferrules) according to EN 60999-1.
------	---

**Product compliance**

ROHS conformity status	Compliant/Exempted
ROHS exceptions	III-6(c)
REACH-SVHC conformity status	Duty-To-Declare
REACH-SVHC substances	Lead
REACH-SVHC CAS numbers	7439-92-1

**Accessories**

Commercial Art.No.:	Article-type description:	Description:
99.414.6205.2	Cover for female connector SW	RST20i3/2 cover piece, for covering unused female connectors, with fastening belt, color schwarz
Z5.564.4553.1	Cover for female connector SW	RST20i3/2 cover piece, for covering unused female connectors, color black

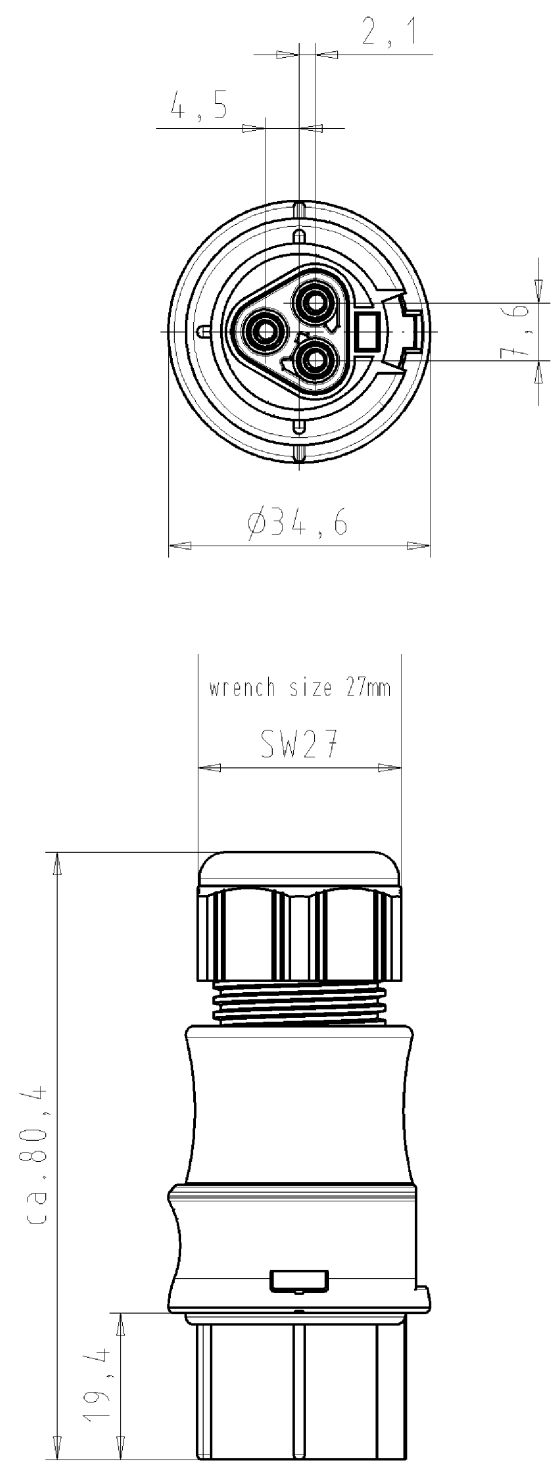
**Fits with**

Commercial Art.No.:	Article-type description:	Description:
---------------------	---------------------------	--------------

96.030.0155.7	Distributor RST20i3V 3P1 F V H GN0	RST20i3 distribution block, 3 pole, application 250/400V with PE, 20A, 1 input and 3 outputs, with fastening option, coding color leaf green, color of housing leaf green
96.233.1031.7	Cable assembly RST20i3K1BS 25 H 10GN0	RST20i3 extension cable female - male, 3 pole, assembled with shrinkage tube, application 250/400V with PE, 20A, cable type H07RN-F, length 1.0m, cross section 2.5mm <sup>2</sup> , coding color leaf green
96.032.4055.7	Connector RST20i3S S1 ZR1 VH GN0	RST20i3 connector, 3 pole, male, screw connection, application 250/400V with PE, 20A, for cable diameters 6-10mm, coding color leaf green, color of housing black
96.034.4055.7	Connector RST20i3S S1 YR1SVH GN0	RST20i3 connector (90° angled), 3 pole, male, screw connection, application 250/400V with PE, 20A, for cable diameters 6-10mm, coding color leaf green, color of housing black
96.032.5055.7	Device connector RST20i3S S1 M01VH GN0	RST20i3 device connector M25, 3 pole, male, screw connection, application 250/400V with PE, 20A, coding color leaf green
96.032.6155.7	Device connector RST20i3S S1 M03VH GN0	RST20i3 device connector M16, 3 pole, male, screw connection, modular, application 250/400V with PE, 20A, coding color leaf green, color of housing black
96.032.6055.7	Device connector RST20i3S S1 M00VH GN0	RST20i3 device connector M20, 3 pole, male, screw connection, modular, application 250/400V with PE, 20A, coding color leaf green, color of housing black
96.034.6055.7	Device connector RST20i3S S1 M90VH GN0	RST20i3 device connector (90° angled) M20, 3 pole, male, screw connection, modular, application 250/400V with PE, 20A, coding color leaf green, color of housing black

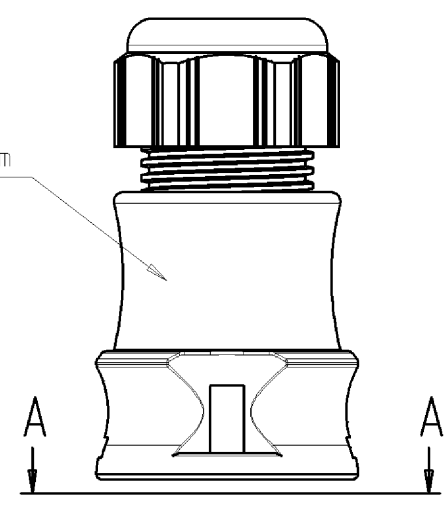
These dimensions will be especially checked at delivery  
 Only inspection dimensions  
 With /E marked dimensions are only valid for internal use

Diese Maße werden bei Abnahme besonders geprüft  
 Ausschließlich Prüfmaße  
 Mit /E gekennzeichnete Maße sind nur für interne Zwecke gültig

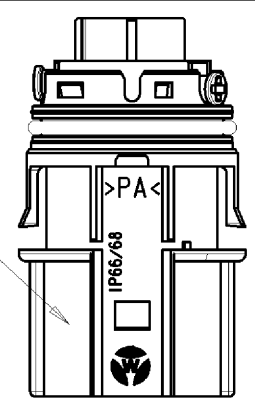


### Auslieferungszustand delivery status

for cable diameter 6-10mm  
 für Kabeldurchm. 6-10mm  
 color: black,  
 similar to RAL 9005  
 Farbe: schwarz,  
 ähnl. RAL 9005

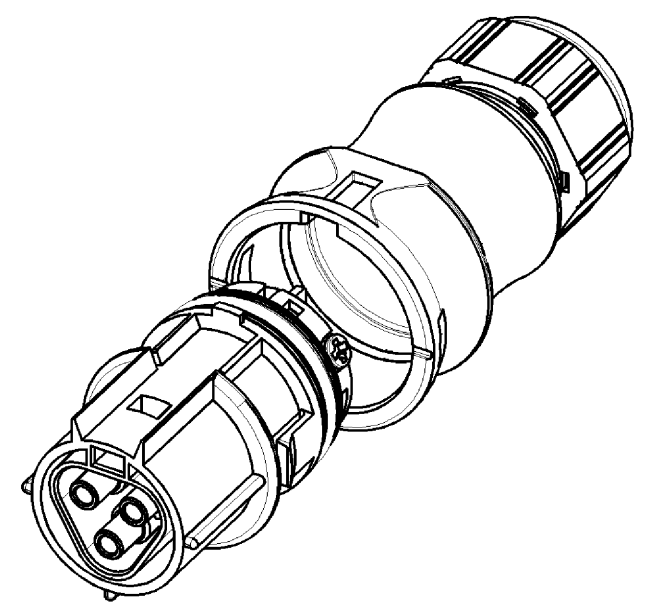
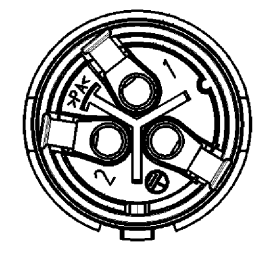


color: green,  
 similar to RAL 6002  
 Farbe: grün,  
 ähnl. RAL 6002



Verpackungseinheit: je 100 Stück  
 packaging unit: per 100

A-A



Type: RST2013S B1 ZR1S H GN02

Tolerierung nach DIN 7167/Tolerance system acc. to DIN 7167. (This DIN-standard describes the envelope principle. According to the envelope principle the deviations of form and parallelism are limited by the size tolerances).		nein/no <input checked="" type="checkbox"/> Stoffverbots- und Deklarationsliste nach UU-TQM-05/03 ist einzuhalten. Conformity with Wieland document UU-TQM-05/03 (list of prohibited / declarable hazardous substances) to be declared!	
Freitoleranz nach General tolerance		CAD - Zeichnung, keine manuellen Änderungen CAD - drawing, no manual modifications allowed	1. Verwendung: First Use: -
Blatt: 1 von 1 Sheet: 1 of 1		Zeichnung Nr./Drawing No. 96.031.4055.7 01K	
Werkstoff/Material		2005 Tag/Date	Name
Maßstab/Scale		gezeichnet/drawn	02.11. Kneitz
1:1		geprüft/checked	-
Vol. mm <sup>3</sup> Ofl./Surf. mm <sup>2</sup>		Normgepr. Stand. check	-
Ersatz für/Replacement for: -		Maße in mm/Dimensions are in mm	
wieland		Type	Benennung/Tittle
Elektrische Verbindungen		BUCHSENTEIL MIT ZUGENTLASTUNG	
Index Datum / Blatt Date / Sheet		female connector with cord grip	
Änderung/Revision		Schraubanschluß ohne Drahtschutz für 400V screw-connection without wire protection for 400V	

Weitergabe sowie Vervielfältigung dieses Dokuments, Verwertung und Mitteilung seines Inhalts sind verboten, soweit nicht ausdrücklich gestattet. The reproduction, distribution and utilization of this document as well as the communication of its contents to others without express authorization is prohibited.

960314055701K\_4\_CADW1019\_Kneitz 2005-11-02T11:18:05 1.000