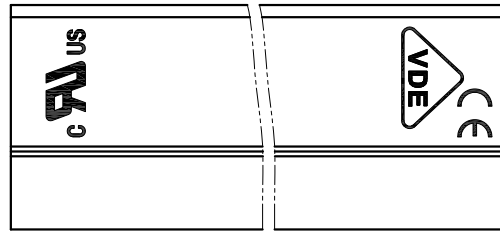


REVISION RECORD				
REV	ECN	DESCRIPTION	DRFT	DATE



NOTES1:  
 UL Standard  
 1.Rated voltage/current : 300V / 8A  
 2.Withstanding voltage : AC1600V/1Min.

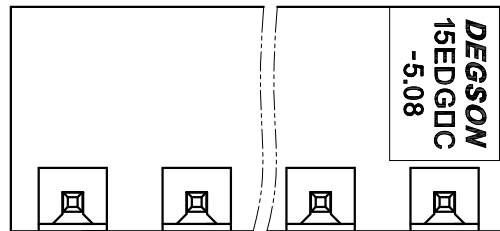
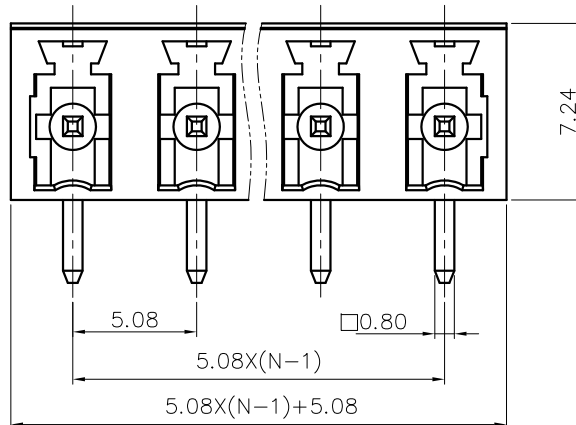
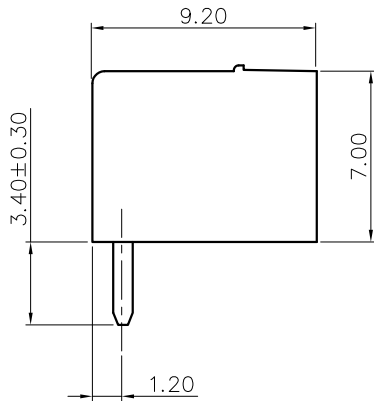
IEC Standard

1. Pollution Degree	2
Overtoltage Category	II
Rate Impulse Voltage(KV)	4.0KV
Rate Voltage(V)	250V
Rate Current(A)	7A

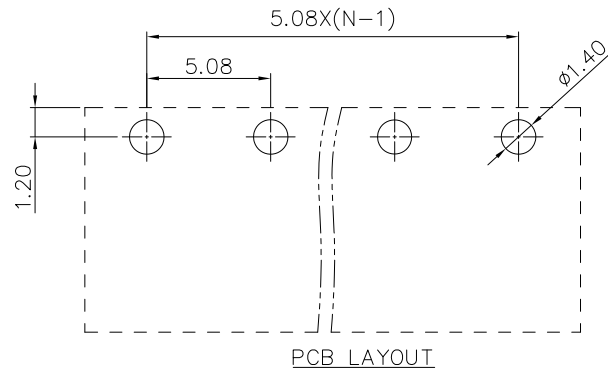
NOTES2:  
 1.Dimension shall be interpreted per ASME Y14.5-2009  
 2.Pitch : 5.08mm, Poles : N=02~12P  
 3.Operating temperature: -40°C~+105°C  
 4.Undimensioned tolerances:

Pitch Range In mm	Nominal Dimension Range In mm						0.1/10	
	Over 6 TO 10	Over 10 TO 24	Over 30 TO 60	Over 60 TO 100	Over 100 TO 150	Over 150		
±0.15	±0.25	±0.20	±0.30	±0.50	±0.70	±1.00	±1.30	±2'

5.RoHS Compliance



15EDGRC - 5.08 - XXP - 1Y - 00A (H)  
 (Series No.) (Pitch) (Poles) (Single Pitch) (Color):1.(Grey)  
 2.(Blue)  
 3.(Black)  
 4.(Green)  
 5.(Orange)  
 6.(Red)  
 7.(Transparent)  
 8.(Yellow)  
 9.(White)



DETACHED LISTS	PART NO.:	/			宁波高松电子有限公司 NINGBO DEGSON ELECTRICAL CO., LTD
	APPD:	/			
	CHKD:	/			NAME: 15EDGRC-5.08-XXP-1Y-00A(H)
	DRFT:	TITLE: CUSTOMER DRAWING	REV	DO	
	THIRD ANGLE PROJECTION	DRAWING NO.:	/		SHEET 1/1
	MM (INCH)	DO NOT SCALE DRAWING	SCALE	1:1	