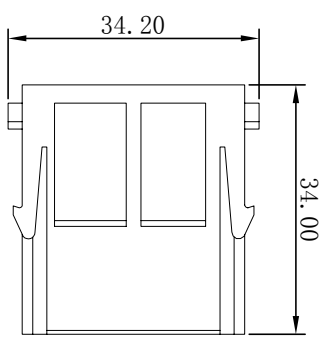
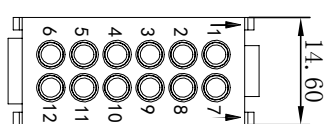


REV	ECN	DESCRIPTION	DRFT	DATE
-----	-----	-------------	------	------

General information:

- 1.Dimension shall be interpreted per ASME Y14.5-2009
- 2.Tightening torque : /
- 3.Operating temperature: -40°C~+125°C
- 4.Rated current:10A
- 5.Rated voltage:250V
- 6.Rated surge voltage : 4KV
- 7.Conductor cross section : 0.14-2.5mm<sup>2</sup>/AWG 26-14
- 8.Grounding footline diameter: 0.5-2.5mm<sup>2</sup>/AWG 20-14
- 9.Tightening torque grounding foot:1.2N.m
- 10.Assembly tightening moment: 0.6N.m
- 11.Printing coincidence IEC61984
- 12.RoHS2.0 Compliance
- 13.Undimensioned Tolerances:



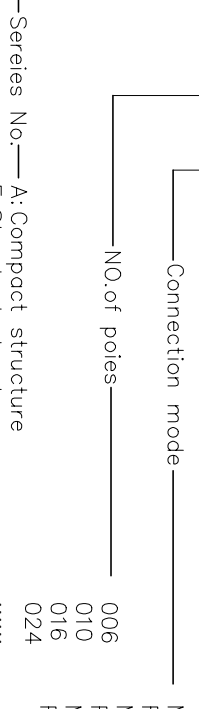
Pitch Range	In mm		Nominal Dimension		Range	
	Over	To	Over	To	Over	To
6	10	10	30	60	100	150
10	24	24	60	100	150	150
±0.15	±0.20	±0.30	±0.50	±0.70	±1.00	±1.30
						±2°

Material:

Insulator	PC	UL94,V0
Pin insertion	COPPER ALLOY	SILVER,PLATED
Screw	Carbon steel	ZINC,PLATED

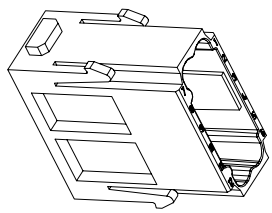
HOW TO ORDER:

SMD-012-MC



- Series No.—A: Compact structure  
 E: Standard structure  
 EE: Widen standard structure  
 D: High Density structure  
 DD: Widen High Density structure  
 K: Composite structure  
 SB: Large current  
 Q: Micro drive  
 M: Module combination

- M: Male Screw terminal  
 F: Female Screw terminal  
 MS: Male spring terminal  
 FS: Female spring terminal  
 MC: Male crimp terminal  
 FC: Female crimp terminal



DETACHED LISTS	
THIS DRAWING IS A CONTROLLED DOCUMENT.	NAME: NINGBO SUPU ELECTRONICS CO., LTD.
APVD: _____	DRAWING NO.: SP739129015
CHK: _____	REV: TO-1
DWN: TIANCHIO4/25/19	SHEET 1/1
THIRD ANGLE PROJECTION	SCALE 1:1
<p style="text-align: center;">CUSTOMER COPY</p> <p style="text-align: center;">Supu reserves the right of product modification and engineering change or the design/AMN</p> <p style="text-align: center;">DO NOT SCALE DRAWING</p>	