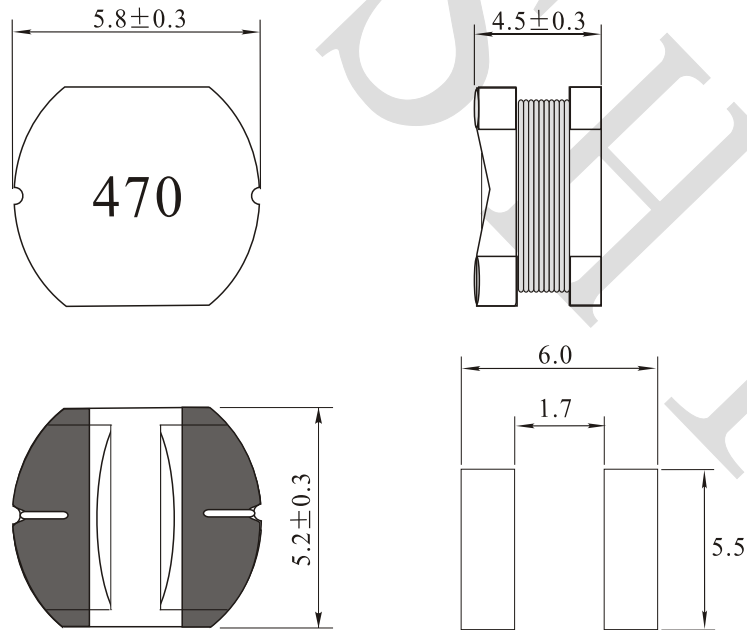
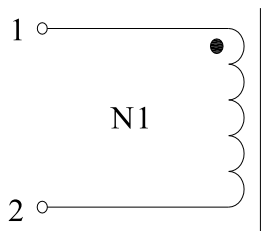


Rev.	Description	Date
A0	New release	2022.12.05

### 1. PHYSICAL CHARACTERISTICS (mm)



### 2. ELECTRONICAL SCHEMATIC



### 3. ELECTRONICAL SPECIFICATIONS

- L: 47uH ± 10% @ 100KHz, 0.1V
- DCR: 0.37 Ω Max
- Q: 22Ref@2.52MHz
- Isat: 1.0A Max (Inductance drop 10% Max)
- Irms: 0.72A Max (Temp. rise 40°C Max)
- SRF: 12MHz Min
- Operating temperature: -40°C to +125°C  
(Including temp. rise 40°C)
- Storage temperature: -40°C to +85°C

#### Test Instrument:

- L: HP4284A
- RDC: HM2540

#### Note:

1. Solderability: leads shall meet MIL-STD-202, Method 208D for solderability.
2. Flammability: UL94V-0
3. ASTM oxygen index: >28%

NAME:	Power Inductors		
CUSTOMER P/N:	SDR0604-470KL	DATE:	2022-12-05
SHINHOM P/N:	SDR0504-470K-0.72A	REV: A0	PAGE
DRAWN BY	CHECKED BY	APPROVE BY	



**SHINHOM**  
SHAANXISHINHOM ENTERPRISE CO LTD

The Document property belong to SHINHOM & is not allowed to be duplicated without authorization