

Data sheet

Commercial Art.No.: 91.952.4053.0

Connector GST15i5S S1 ZR1 WS

GST15i5 connector, 5 pole, male, with screw connection (angled), for cable diameters 8.5-12.5 mm, coding mains 250/400 V, 16 A, coding color white, strain relief color white



Commercial Art.No.	91.952.4053.0
EAN	4049088037825
Order Unit	1

Certificates / Approvals



Technical data

General

Rated current	16 A
Rated voltage	250 V / 400 V
Rated impulse voltage	4 kV
strain relief	yes
Pollution degree	2
Mechanical coding	Code 1
Lockable	self-locking (unlocking by tool)
Color of coding/ contact carrier	white
Marking of poles	3, 2, 1, PE, N
Color of housing inclusive strain relief	white

Connection Data

Cable diameter max.	12.5 mm
Cable diameter min.	8.5 mm
Connection cross section solid mm ² max.	2.5 mm ²
Connection cross section solid mm ² min.	0.5 mm ²
Connection cross section fine stranded mm ² max.	2.5 mm ²
Connection cross section fine stranded mm ² min.	0.5 mm ²
Terminations per pole	1
sheath strip length	45 mm
Wire strip length	8 mm

Model

Model	male
Connection type	screw connection
Degree of protection (IP)	IP20

Material

Housing material	Polyamide
halogen free	yes
Contact material	CuZn
Fire load	0.109 kWh
Insulation components continuous temperature	100 °C
Surface finish	Silver-plated

Dimensions

Length	78 mm
Width	32 mm
Height	15 mm

Classification

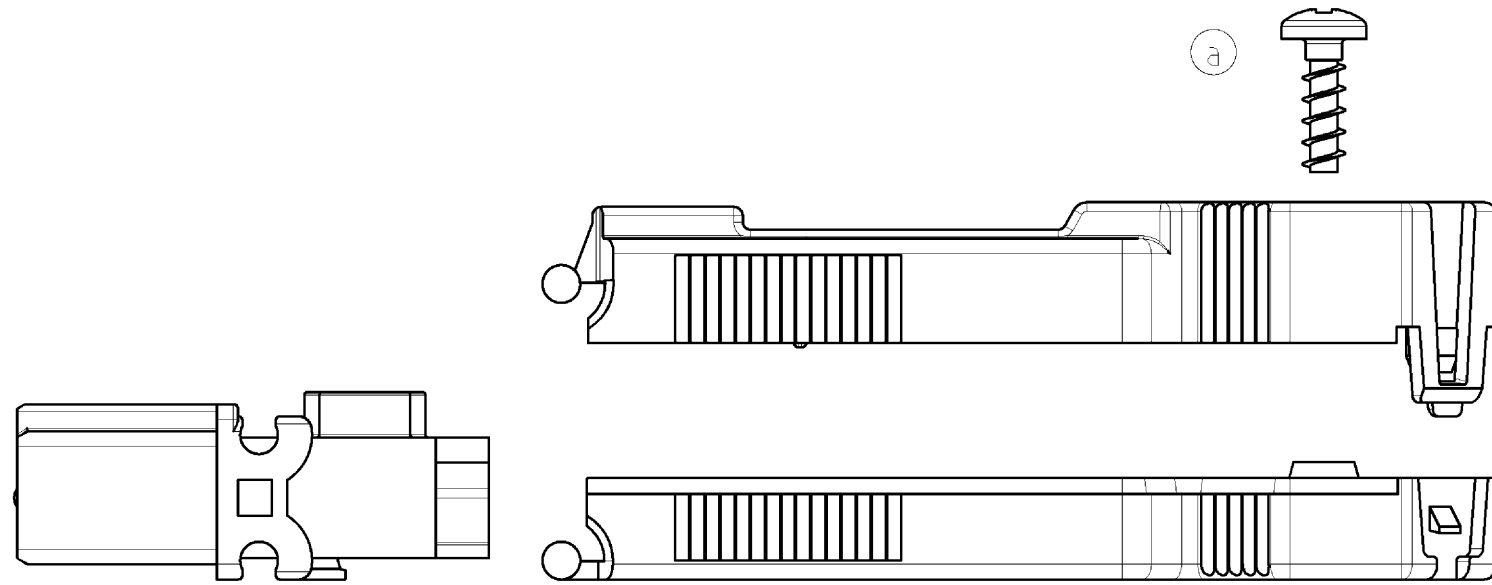
ECLASS 11	
ECLASS 8.1	27440605
ETIM 7.0	EC002560
ETIM 6.0	EC002560
ETIM 5.0	EC002560
ETIM 4.0	EC002560

Product compliance

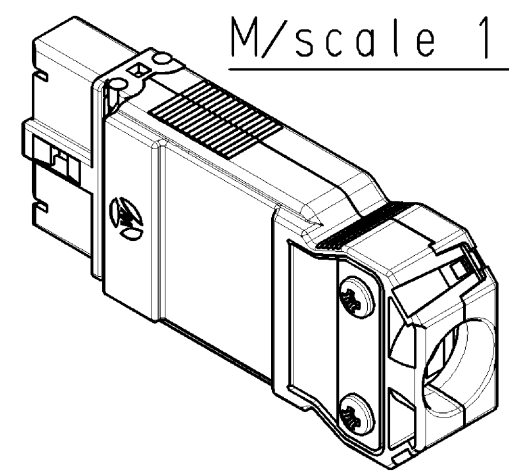
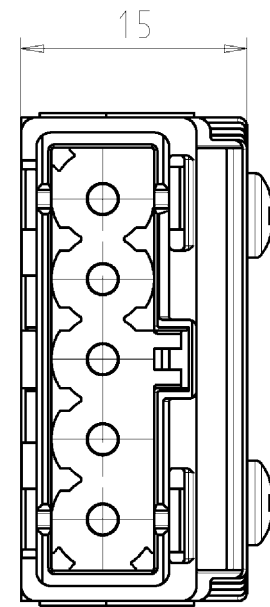
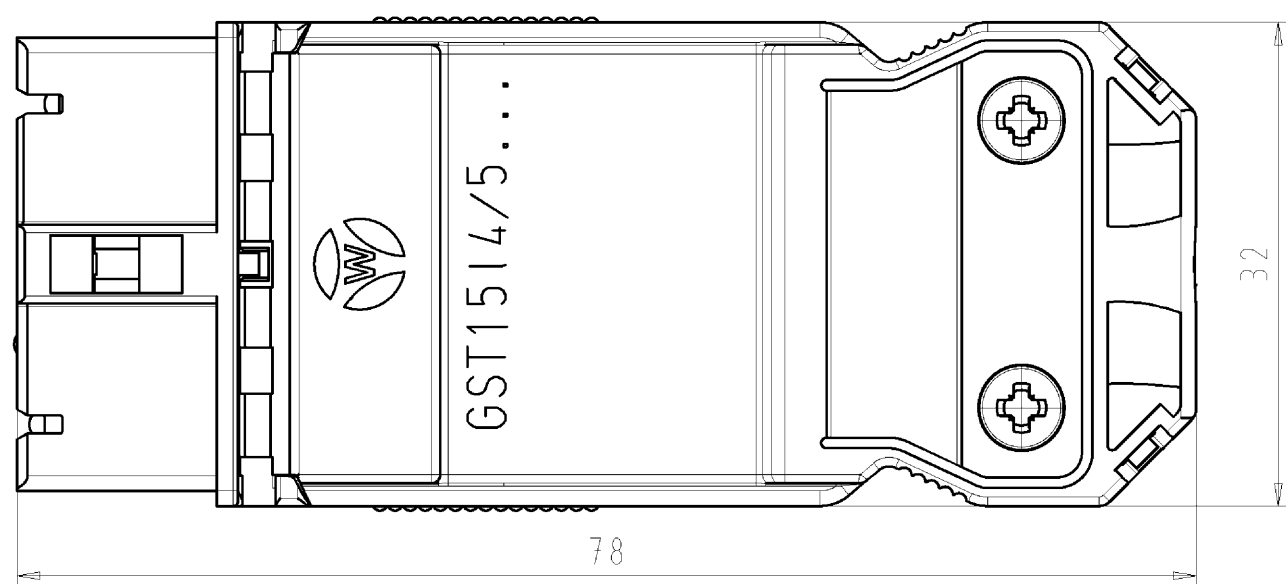
ROHS conformity status	Compliant/Exempted
ROHS exceptions	III-6(c)
REACH-SVHC conformity status	Duty-To-Declare
REACH-SVHC substances	Lead
REACH-SVHC CAS numbers	7439-92-1

These dimensions will be especially checked at delivery
 Only inspection dimensions
 With /E marked dimensions are only valid for internal use

Diese Maße werden bei Abnahme besonders geprüft
 Ausschließliche Prüfmaße
 Mit /E gekennzeichnete Maße sind nur für interne Zwecke gültig



Ansicht im montierten Zustand / view in assembled state



Teile - Nr./ part number	Typ/type	Farbe/colour
91.952.4053.0	GST1515S S1 ZR1W WS	weiß/white
91.952.4053.1	GST1515S S1 ZR1W SW	schwarz/black
* 91.952.4093.0	INS70001	weiß/white
* 91.952.4093.1		schwarz/black

* = spezielle Verpackung und Etikettierung / special package and labeling

Tolerierung nach DIN 7167/Tolerance system acc. to DIN 7167. (This DIN-standard describes the envelope principle. According to the envelope principle the deviations of form and parallelism are limited by the size tolerances).				ja/yes <input checked="" type="checkbox"/> Stoffverbots- und Deklarationsliste nach UU-TQM-05/03 ist einzuhalten. Conformity with Wieland document UU-TQM-05/03 (list of prohibited / declarable hazardous substances) to be declared!			
Freitoleranz nach General tolerance		CAD - Zeichnung, keine manuellen Änderungen CAD - drawing, no manual modifications allowed		1. Verwendung: First Use:		Blatt: 1 von 1 Sheet: of 1	
/		Werkstoff/Material		2008 Tag/Date Name		Zeichnung Nr./Drawing No. Index	
/		Maßstab/Scale		gezeichnet drawn 27.08. Pfaff		T 91.952.4053.0 01K a	
/		2:1		geprüft checked - -		Maße in mm/Dimensions are in mm	
/		Vol. mm³		Ofl./Surf. mm²		Ersatz für/Replacement for: -	
/		a 24.11.2010/		Type		Benennung/Titel	
Index		Datum / Blatt Date / Sheet		wieland		STECKERT_M_ZUGENTL	
Änderung/Revision		Elektrische Verbindungen					

Weitere Daten siehe Katalog
 further data see catalog

Weitergabe sowie Vervielfältigung dieses Dokuments, Verwertung und Mitteilung seines Inhalts sind verboten, soweit nicht ausdrücklich gestattet.
 The reproduction, distribution and utilization of this document as well as the communication of its contents to others without express authorization is prohibited.

919524053001K_2 CADW2037.dwg 2011-07-12T08:42:59 1:000