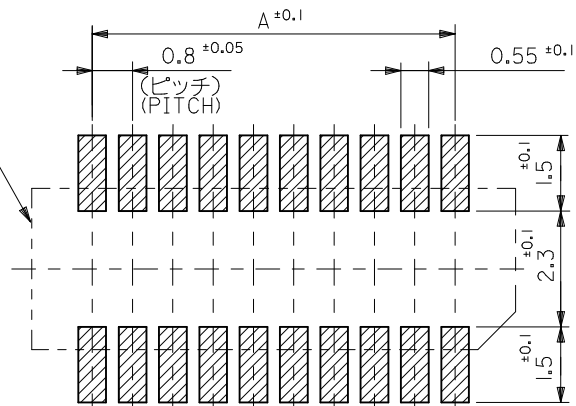
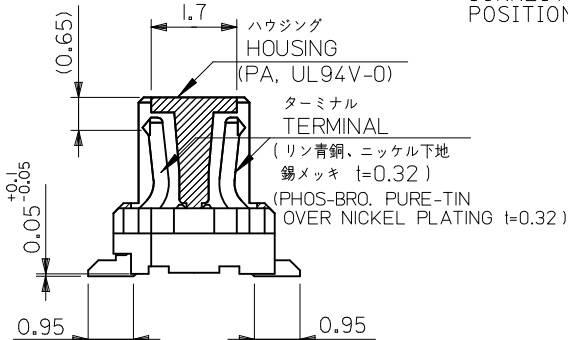
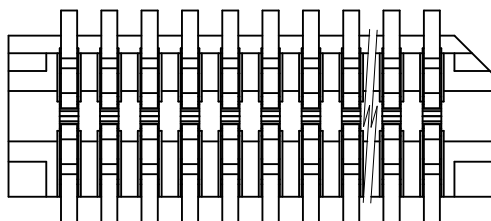
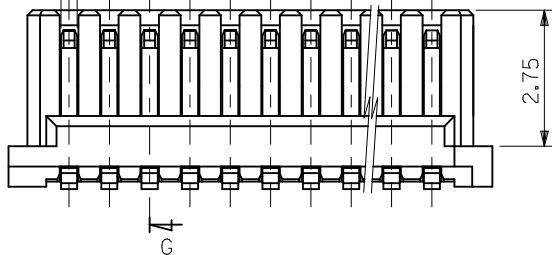
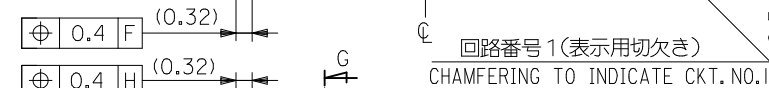
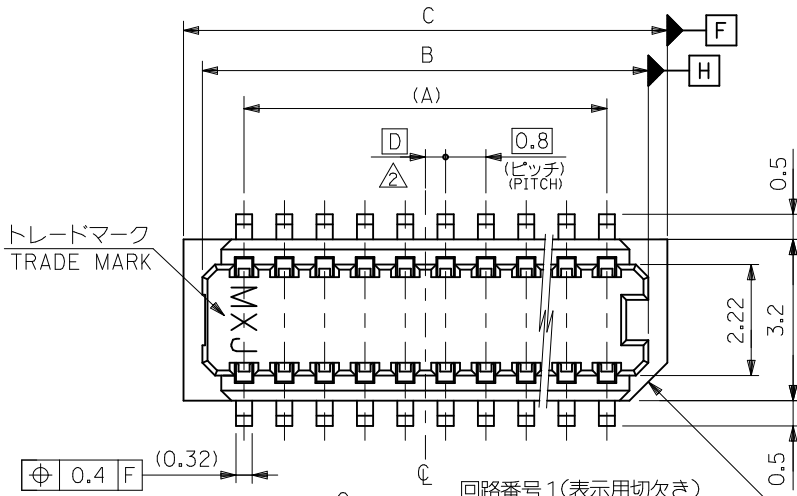


10 9 8 7 6 5 4 3 2 1



参考基板レイアウト (マウント面)  
P.C.B. PATTERN LAYOUT (REF.) (MOUNT AREA)

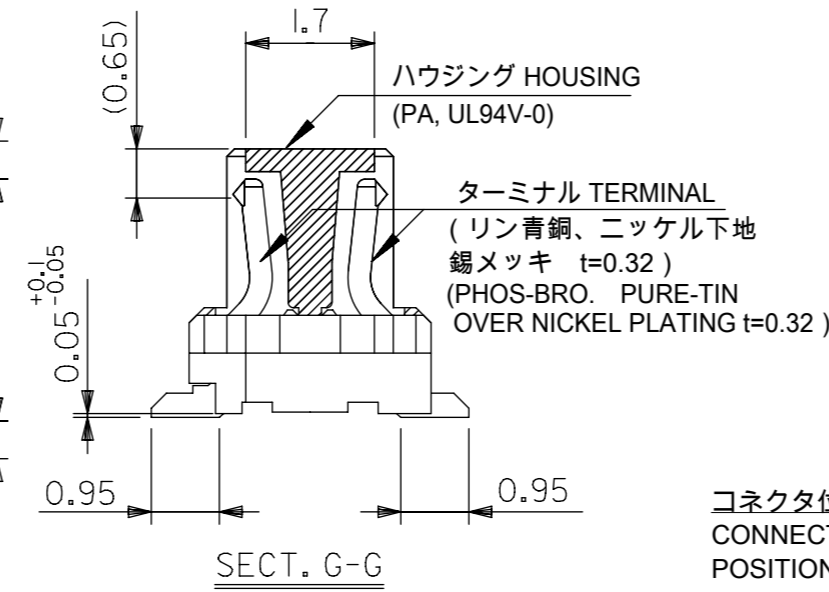
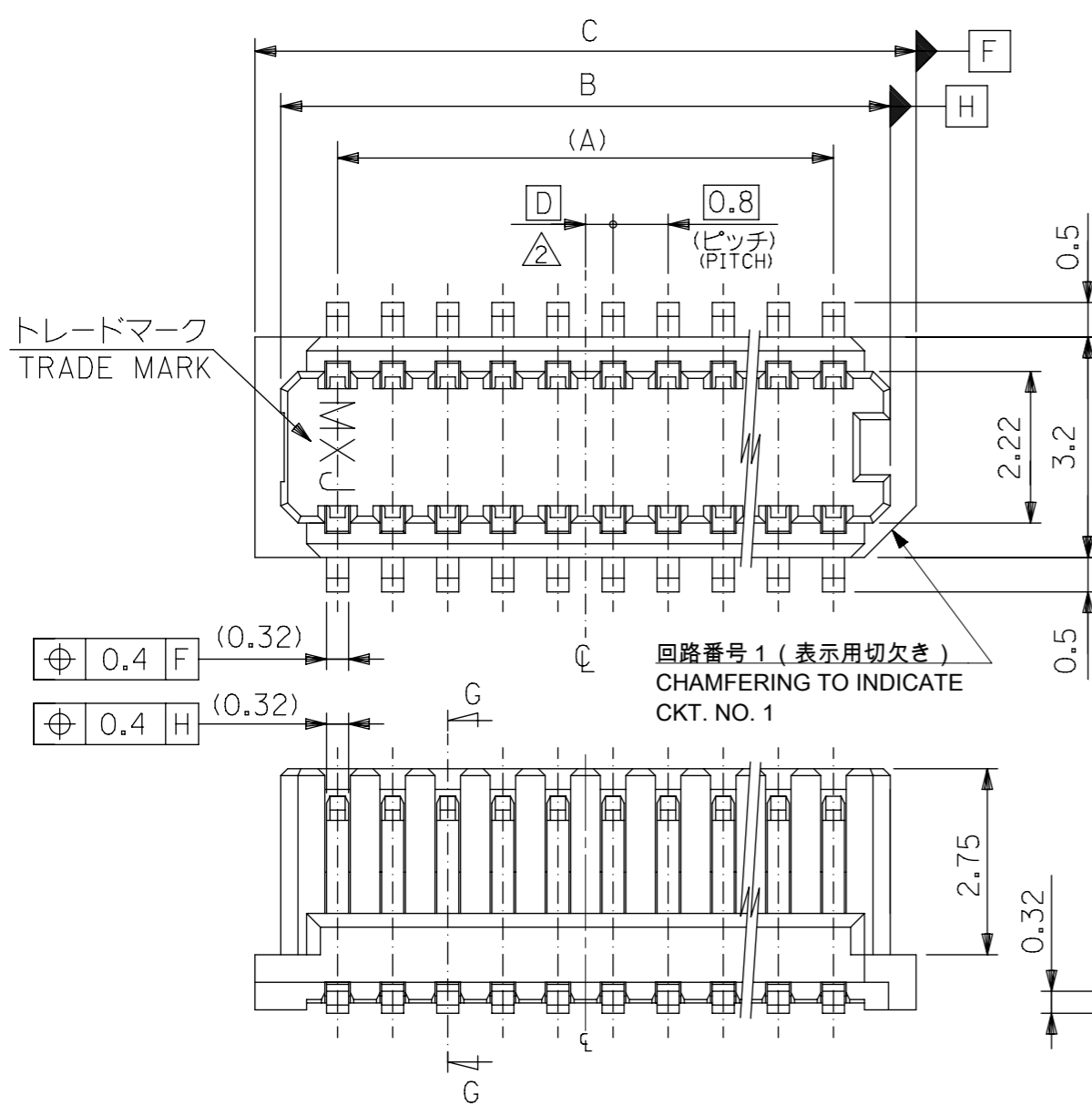
0.4	17.6	16.85	15.2	52465-4071	52465-4029	40
0.8	16.8	16.05	14.4	52465-3871	52465-3829	38
0.4	16.0	15.25	13.6	52465-3671	52465-3629	36
0.8	15.2	14.45	12.8	52465-3471	52465-3429	34
0.4	14.4	13.65	12.0	52465-3271	52465-3229	32
0.8	13.6	12.85	11.2	52465-3071	52465-3029	30
0.4	12.8	12.05	10.4	52465-2871	52465-2829	28
0.8	12.0	11.25	9.6	52465-2671	52465-2629	26
0.4	11.2	10.45	8.8	52465-2471	52465-2429	24
0.8	10.4	9.65	8.0	52465-2271	52465-2229	22
0.4	9.6	8.85	7.2	52465-2071	52465-2029	20
0.8	8.8	8.05	6.4	52465-1871	52465-1829	18
0.4	8.0	7.25	5.6	52465-1671	52465-1629	16
0.8	7.2	6.45	4.8	52465-1471	52465-1429	14
0.4	6.4	5.65	4.0	52465-1271	52465-1229	12
0.8	5.6	4.85	3.2	52465-1071	52465-1029	10
D	C	B	A	EMBOSSED TAPE ORDER No.	MATERIAL NO.	CKT.

NOTES

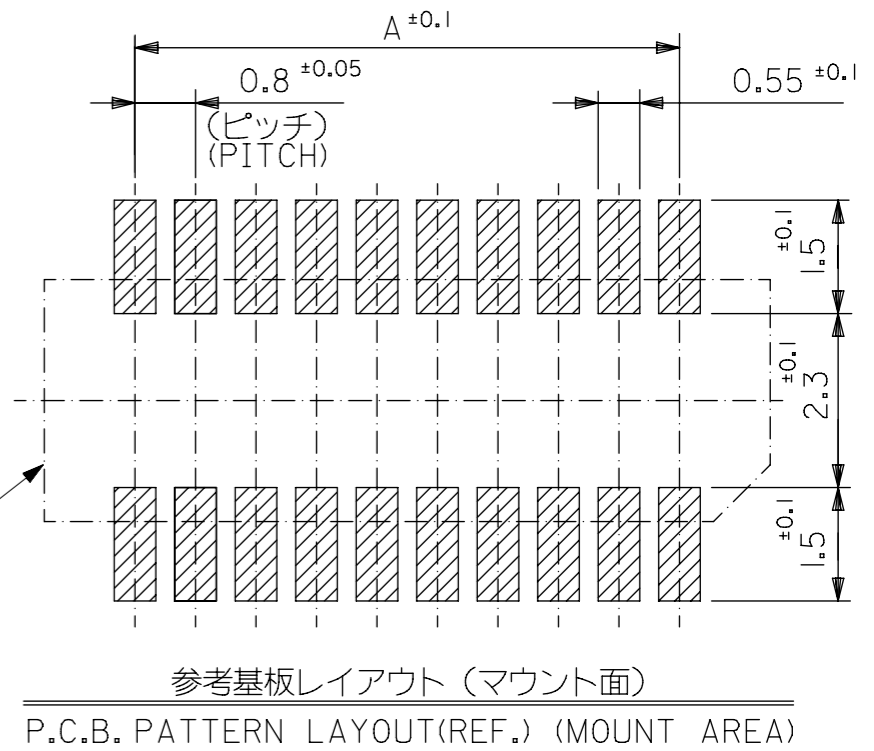
1. 嵌合相手: 53307, 53309 シリーズ  
MATES WITH 53307, 53309 SERIES
2. ハウジングの C から隣接するターミナルの C 迄の位置を示す。  
SHOW POSITION FROM C OF HOUSING TO C OF ADJACENT TERMINALS.
3. 一對の基板の嵌合に於いて、本製品を2個以上使用することは推奨できません。  
MXJ DOSE NOT RECOMMEND THE USAGE OF TWO OR MORE OF THESE CONNECTORS BETWEEN A SINGLE PAIR OF P. C. BOARD.
4. 本製品は 52465-\*\*27 の鉛フリー品である。  
THIS PRODUCT IS LEAD FREE OF 52465-\*\*27.
5. ELV及びRoHS適合品  
ELV AND RoHS COMPLIANT

REVISED EC NO: J2010-0755 DRWN: TAKAGAWA01 2008/12/17 CHKD: SMARUYAMA 2010/03/24 APPR: MSASAO 2010/03/25	DESCRIPTION	GENERAL TOLERANCES (UNLESS SPECIFIED)		DIMENSION STYLE MM ONLY		SCALE 10:1		DESIGN UNITS METRIC		THIRD ANGLE PROJECTION	
		10 UNDER	±0.2	DRAWN BY Y. SAKIYAMA	DATE 2004/02/17	TITLE 0.8 BOARD TO BOARD CONN. HOUSING ASSY SMT					
		10 OVER 30 UNDER	±0.25	CHECKED BY M. SASAO	DATE 2004/02/17						
		30 OVER	±0.3	APPROVED BY M. SASAO	DATE 2004/02/17						
A	REV	ANGULAR ±3 °		MATERIAL NO. SEE TABLE		DOCUMENT NO. SD-52465-028		SHEET NO. 1 OF 1		THIS DRAWING CONTAINS INFORMATION THAT IS PROPRIETARY TO MOLEX INCORPORATED AND SHOULD NOT BE USED WITHOUT WRITTEN PERMISSION	
		DRAFT WHERE APPLICABLE MUST REMAIN WITHIN DIMENSIONS		SIZE A3							

トレードマーク  
TRADE MARK



コネクタ位置  
CONNECTOR POSITION



NOTES

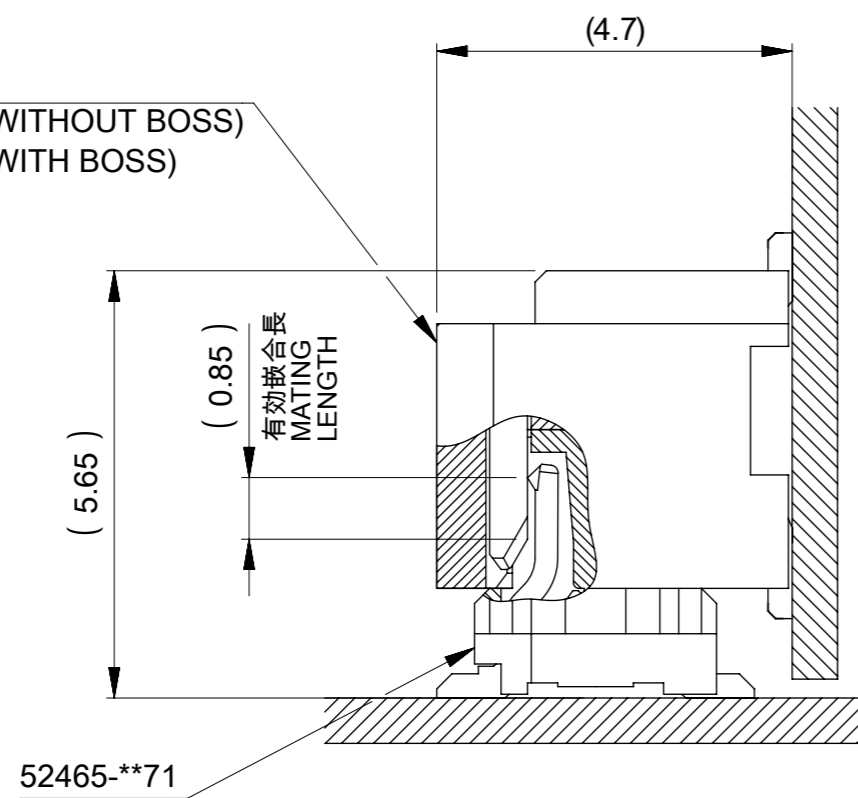
1. 嵌合相手 : 53307, 53309シリーズ  
MATE WITH : 53307, 53309 SERIES
2. ハウジングの  $\phi$  から隣接するターミナルの  $\phi$  迄の位置を示す。  
SHOW POSITION FROM  $\phi$  OF HOUSING TO  $\phi$  OF ADJACENT TERMINALS.
3. 一对の基板の嵌合に於いて、本製品を 2 個以上使用することは推奨できません。  
MXJ DOES NOT RECOMMEND THE USAGE OF TWO OR MORE OF THESE CONNECTORS BETWEEN A SINGLE PAIR OF P.C.BOARD.
4. 本製品は 52465-\*\*27の鉛フリー品である。  
THIS PRODUCT IS LEAD FREE OF 52465-\*\*27.
5. ELV及びRoHS適合品  
ELV AND RoHS COMPLIANT.

0.4	17.6	16.85	15.2	52465-4071	40
0.4	16.0	15.25	13.6	52465-3671	36
0.4	14.4	13.65	12.0	52465-3271	32
0.8	13.6	12.85	11.2	52465-3071	30
0.4	12.8	12.05	10.4	52465-2871	28
0.8	12.0	11.25	9.6	52465-2671	26
0.4	11.2	10.45	8.8	52465-2471	24
0.8	10.4	9.65	8.0	52465-2271	22
0.4	9.6	8.85	7.2	52465-2071	20
0.8	8.8	8.05	6.4	52465-1871	18
0.4	8.0	7.25	5.6	52465-1671	16
0.8	7.2	6.45	4.8	52465-1471	14
0.4	6.4	5.65	4.0	52465-1271	12
0.8	5.6	4.85	3.2	52465-1071	10
D	C	B	A	EMBOSSED TAPE PACKAGE	CKT
ORDER NO					

THIS DRAWING CONTAINS INFORMATION THAT IS PROPRIETARY TO MOLEX ELECTRONIC TECHNOLOGIES, LLC AND SHOULD NOT BE USED WITHOUT WRITTEN PERMISSION

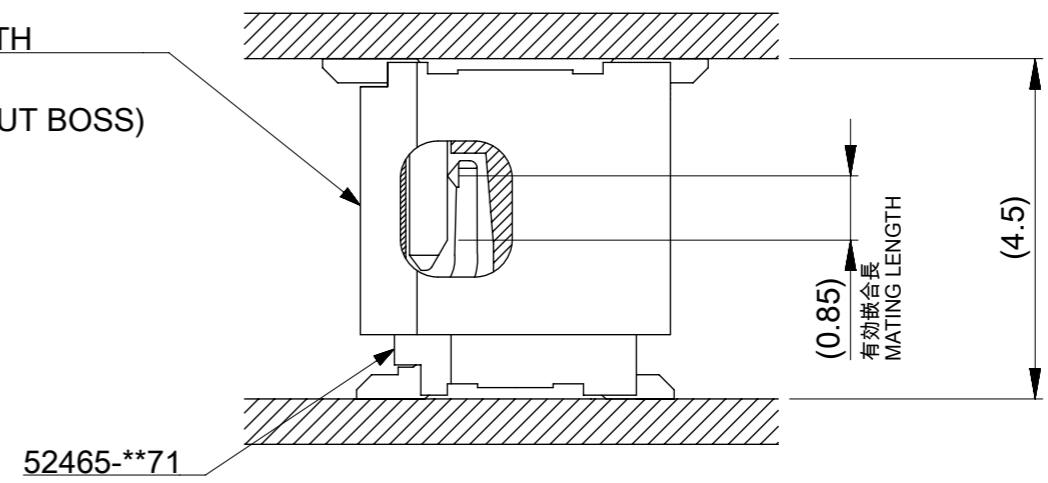
DIMENSION UNITS	SCALE	CURRENT REV DESC:			
mm	10:1				
GENERAL TOLERANCES (UNLESS SPECIFIED)		molex			
ANGULAR TOL ± 30°		0.8 MM PITCH B-TO-B CONN. RECEPTACLE (WITHOUT BOSS)			
4 PLACES ± 0.2		PRODUCT CUSTOMER DRAWING			
3 PLACES ± 0.25		DOCUMENT NUMBER			
2 PLACES ± 0.3		SD-52465-028			
1 PLACE ±		DOC TYPE DOC PART REVISION			
0 PLACES ±		PSD 001 B			
DRAFT WHERE APPLICABLE MUST REMAIN WITHIN DIMENSIONS		THIRD ANGLE PROJECTION		SHEET NUMBER	
		DRAWING		1 OF 2	
		SERIES		GENERAL MARKET	
		MATERIAL NUMBER		52465	
		CUSTOMER			

嵌合相手 MATE WITH  
53309-\*\*70 (BOSS無し WITHOUT BOSS)  
53309-\*\*71 (BOSSあり WITH BOSS)



嵌合状態図 (参考)  
MATED DRAWING(REF.)

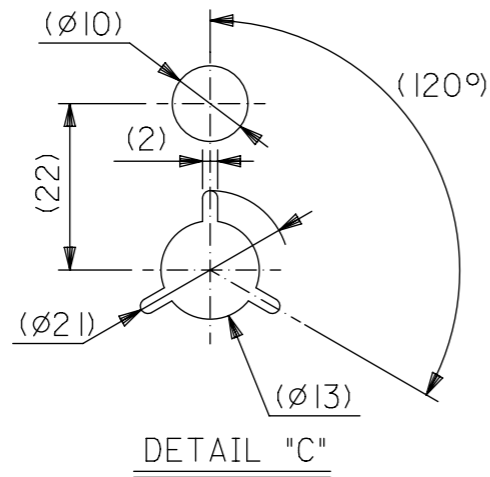
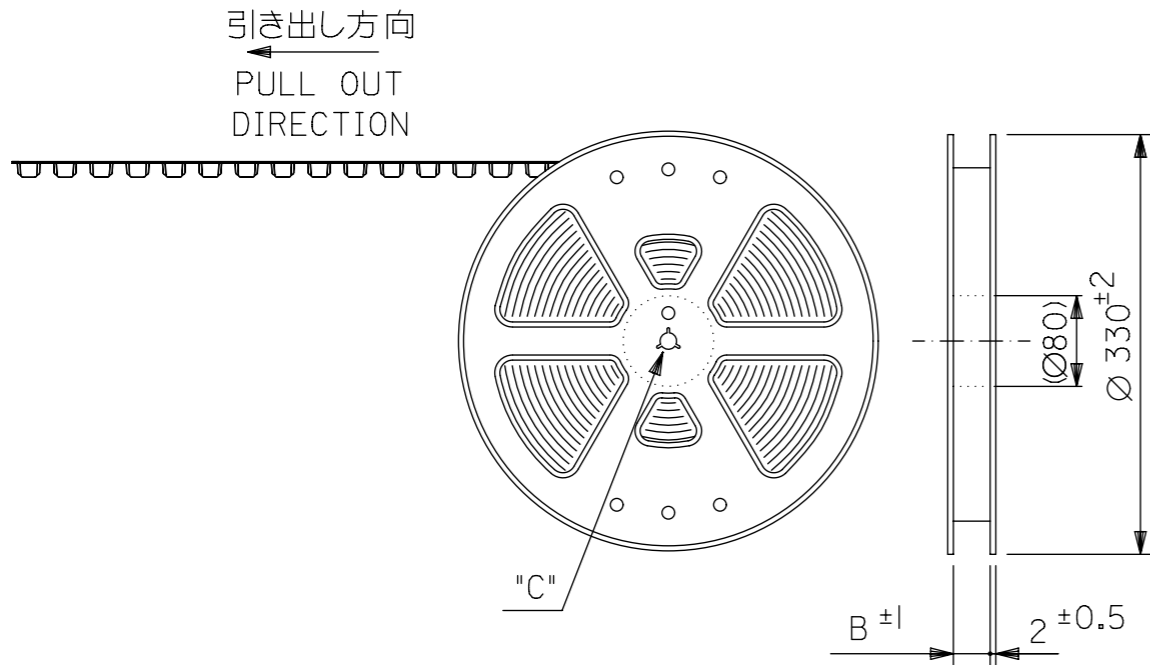
嵌合相手 MATE WITH  
53307-\*\*71  
(BOSS無し WITHOUT BOSS)



嵌合状態図 (参考)  
MATED DRAWING(REF.)

THIS DRAWING CONTAINS INFORMATION THAT IS PROPRIETARY TO MOLEX ELECTRONIC TECHNOLOGIES, LLC AND SHOULD NOT BE USED WITHOUT WRITTEN PERMISSION

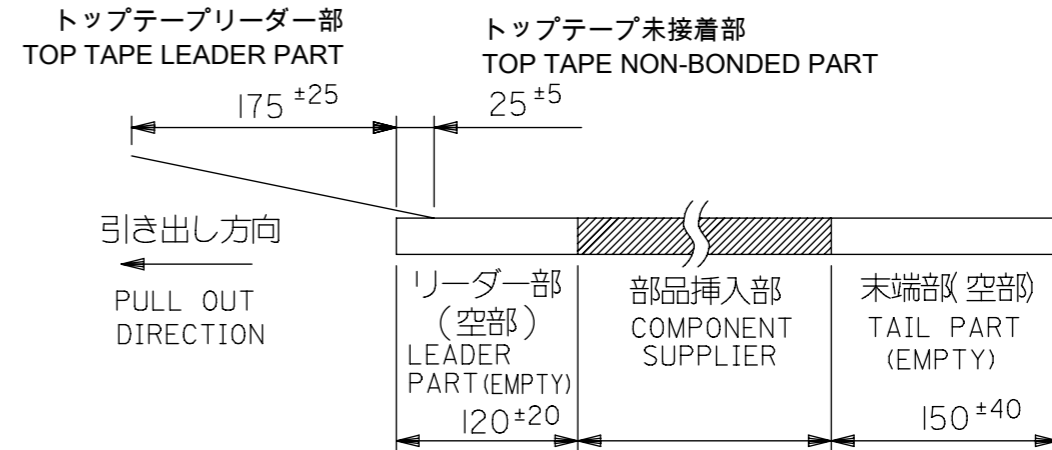
DIMENSION UNITS		SCALE		CURRENT REV DESC:		<b>molex</b>	
mm		1:1					
GENERAL TOLERANCES (UNLESS SPECIFIED)				GENERAL TOL		EC NO: 656567	
4 PLACES		± 0.2		DRWN: AHMADI2		2021/02/02	
3 PLACES		± 0.25		CHK'D: HSHIMUYAMA		2021/02/26	
2 PLACES		± 0.3		APPR: SHOSHIKAWA		2021/02/26	
1 PLACE		±		INITIAL REVISION:		DOCUMENT NUMBER	
0 PLACES		±		DRWN: YSAKIYAMA		SD-52465-028	
				APPR: MSASAO		DOC TYPE DOC PART REVISION	
				THIRD ANGLE PROJECTION		PSD 001 B	
DRAFT WHERE APPLICABLE MUST REMAIN WITHIN DIMENSIONS		DRAFT WHERE APPLICABLE MUST REMAIN WITHIN DIMENSIONS		DRAWING		SHEET NUMBER	
				A3-SIZE		2 OF 2	
				SERIES		CUSTOMER	
				52465		GENERAL MARKET	



NOTES

1. 梱包数量 : 1000個/リール NUMBER OF CONNECTORS : 1000PCS/REEL

2. リードテープ長さ LEAD TAPE LENGTH



3. トップテープの剥離強度についてはIEC60286-3に準拠。  
TOP TAPE PEEL FORCE IS DEFINED BY IEC60286-3.

4. 材料 キャリアテープ : ポリプロピレン (PP)  
トップテープ : PET, PE, PEF  
リール : ポリスチレン (PS) <リサイクル材を含む>

MATERIAL

CARRIER TAPE : POLYPROPYLENE

TOP TAPE : PET, PE, PEF

REEL : POLYSTYRENE (PS) < CONTAINED RECYCLE MATERIAL >

5. 本製品は52465-\*\*91の鉛フリー品である。  
THIS PRODUCT IS LEAD FREE OF 52465-\*\*91.

THIS DRAWING CONTAINS INFORMATION THAT IS PROPRIETARY TO MOLEX ELECTRONIC TECHNOLOGIES, LLC AND SHOULD NOT BE USED WITHOUT WRITTEN PERMISSION

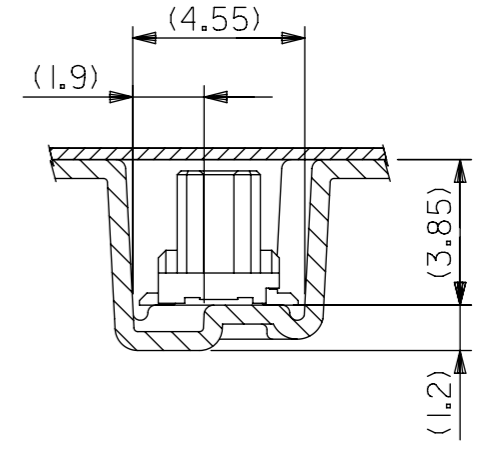
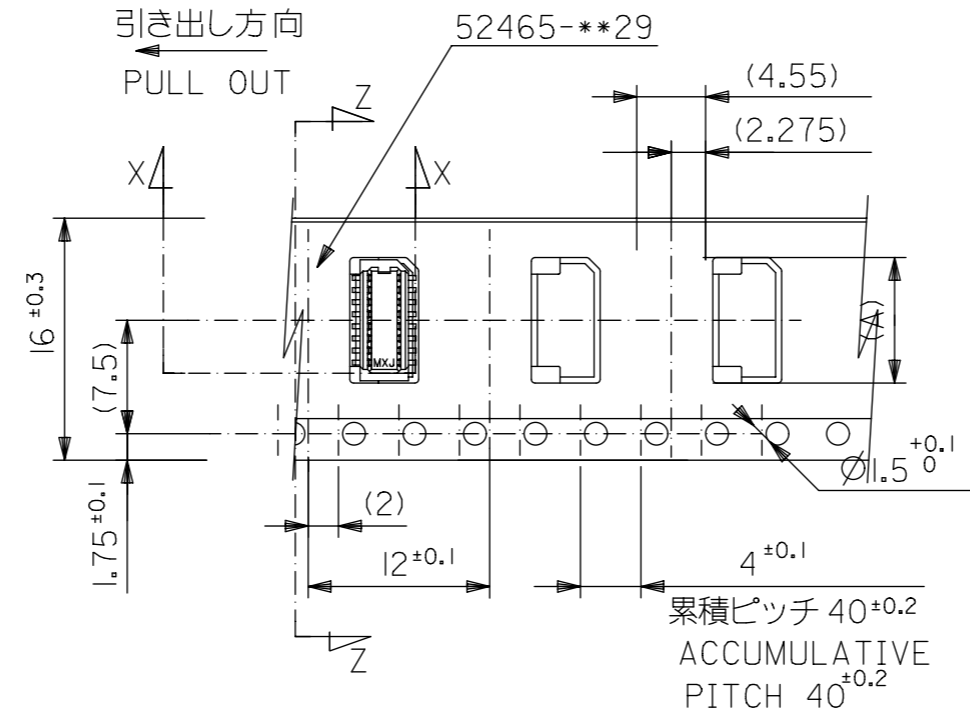
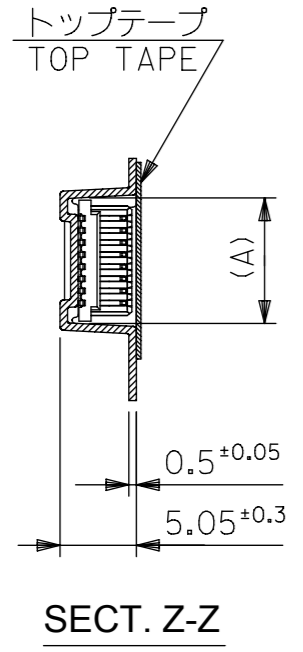
DIMENSION UNITS	SCALE	CURRENT REV DESC:	
mm	NTS		
GENERAL TOLERANCES (UNLESS SPECIFIED)		EC NO: 653700	
ANGULAR TOL ±		DRWN: AHMADI2	2021/02/02
4 PLACES	±	CHK'D: HSHIMOYAMA	2021/02/26
3 PLACES	±	APPR: SHOSHIKAWA	2021/02/26
2 PLACES	±	INITIAL REVISION:	
1 PLACE	±	DRWN: YSAKIYAMA	2004/02/23
0 PLACES	±	APPR: MSASAO	2004/02/24
DRAFT WHERE APPLICABLE MUST REMAIN WITHIN DIMENSIONS		THIRD ANGLE PROJECTION	DRAWING
			A3-SIZE
		SERIES	52465
		MATERIAL NUMBER	GENERAL MARKET
		CUSTOMER	1 OF 3

**molex**

0.8 MM PITCH B-TO-B CONN.  
RECEPTACLE (WITHOUT BOSS) EMBOSS TAPE  
PACKAGE

PRODUCT CUSTOMER DRAWING

DOCUMENT NUMBER	DOC TYPE	DOC PART	REVISION
SD-52465-029	PSD	001	A

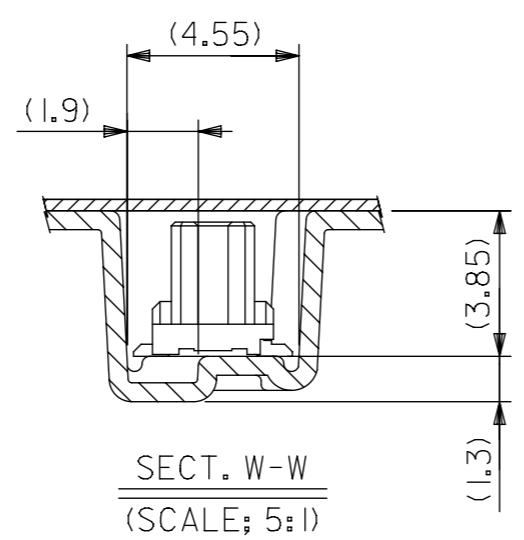
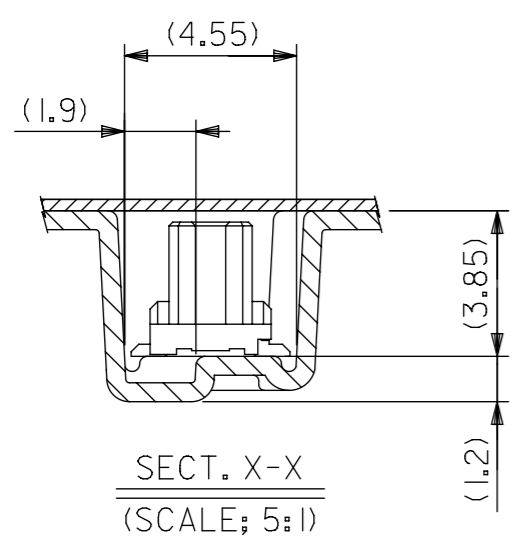
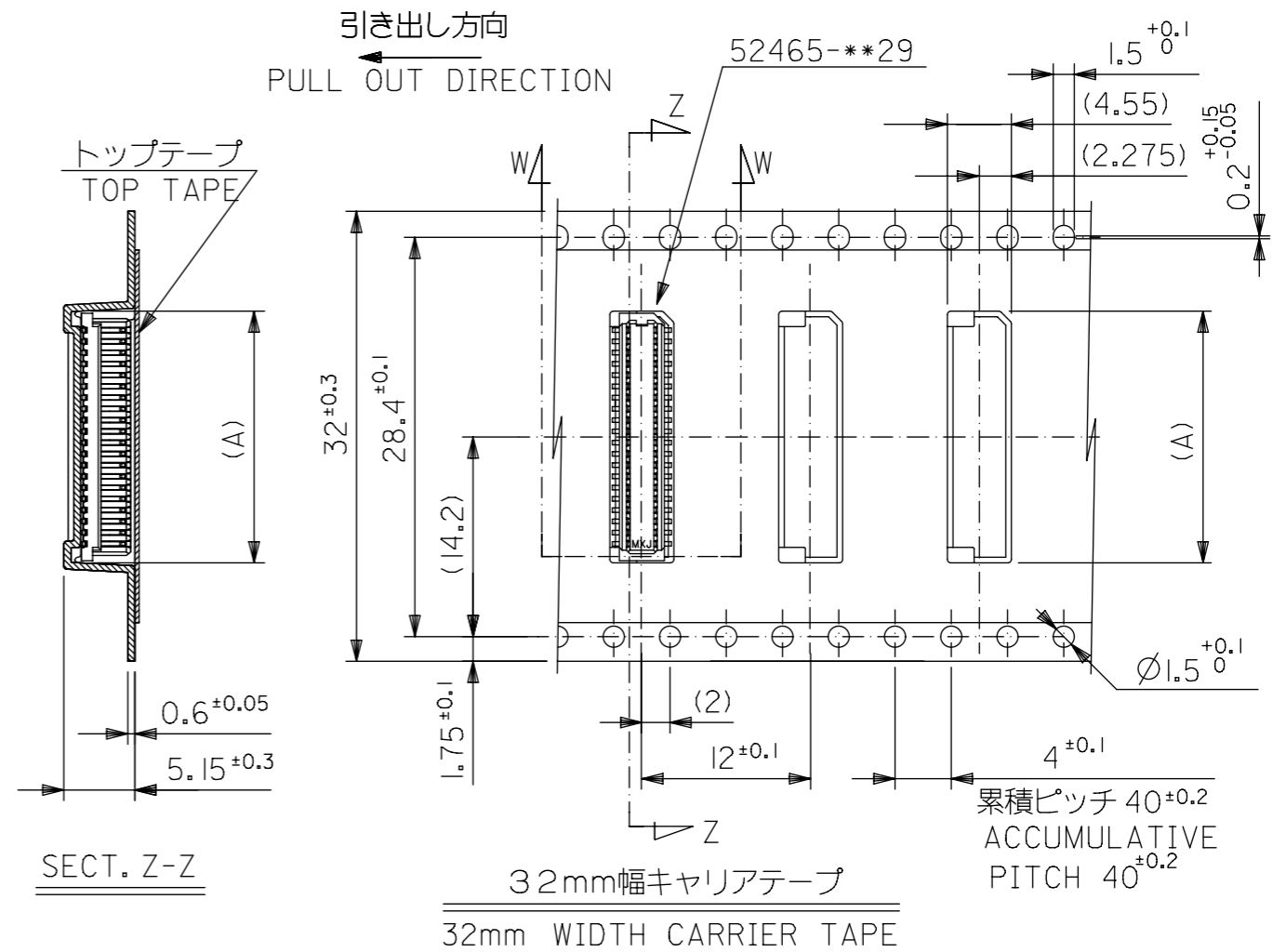
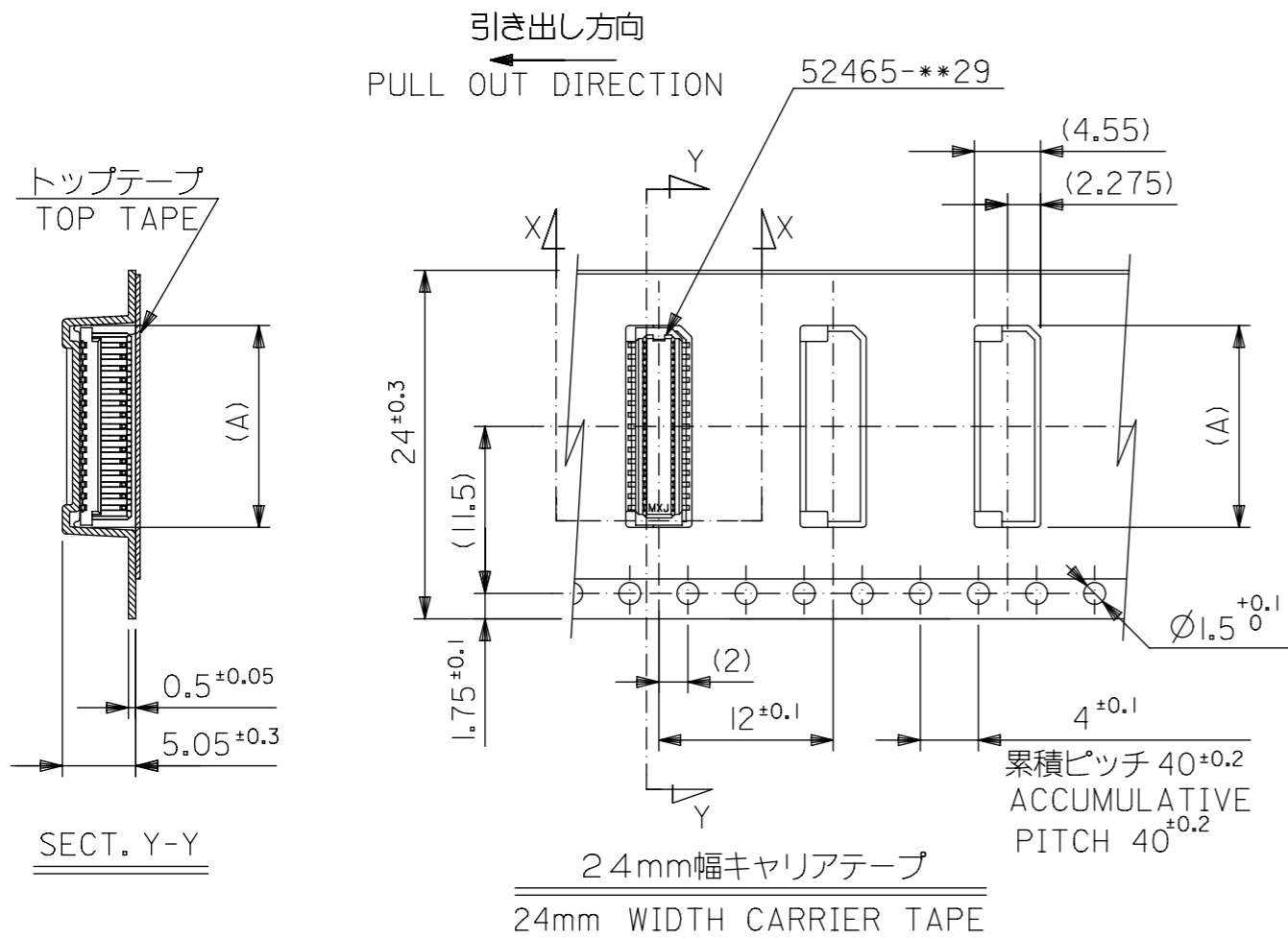


16mm幅キャリアテープ  
16mm WIDTH CARRIER TAPE

16	17.5	9.1	52465-1871	18	
		8.3	52465-1671	16	
		7.5	52465-1471	14	
		6.7	52465-1271	12	
		5.9	52465-1071	10	
キャリアテープ幅 CARRIER TAPE WIDTH		B	(A)	EMBOSSED TAPE PACKAGE	極数 CIRCUITS
				ORDER NO	

THIS DRAWING CONTAINS INFORMATION THAT IS PROPRIETARY TO MOLEX ELECTRONIC TECHNOLOGIES, LLC AND SHOULD NOT BE USED WITHOUT WRITTEN PERMISSION

DIMENSION UNITS	SCALE	CURRENT REV DESC:	<b>molex</b>		
mm	NTS		0.8 MM PITCH B-TO-B CONN. RECEPTACLE (WITHOUT BOSS) EMBOSS TAPE PACKAGE		
GENERAL TOLERANCES (UNLESS SPECIFIED)		EC NO: 653700	PRODUCT CUSTOMER DRAWING		
ANGULAR TOL ±		DRWN: AHMADI2	2021/02/02		
4 PLACES ±		CHK'D: HSHIMUYAMA	2021/02/26		
3 PLACES ±		APPR: SHOSHIKAWA	2021/02/26		
2 PLACES ±		INITIAL REVISION:	DOCUMENT NUMBER		
1 PLACE ±		DRWN: YSAKIYAMA	2004/02/23	SD-52465-029	PSD
0 PLACES ±		APPR: MSASAO	2004/02/24	001	A
DRAFT WHERE APPLICABLE MUST REMAIN WITHIN DIMENSIONS		THIRD ANGLE PROJECTION	DRAWING	SERIES	SHEET NUMBER
			A3-SIZE	52465	2 OF 3



32	33.5	17.9	52465-4071	40
24	25.5	16.3	52465-3671	36
		14.7	52465-3271	32
		13.9	52465-3071	30
		13.1	52465-2871	28
		12.3	52465-2671	26
		11.5	52465-2471	24
		10.7	52465-2271	22
		9.9	52465-2071	20
キャリアテープ幅 CARRIER TAPE WIDTH	B	(A)	EMBOSSED TAPE PACKAGE	極数 CIRCUITS
			ORDER NO	

THIS DRAWING CONTAINS INFORMATION THAT IS PROPRIETARY TO MOLEX ELECTRONIC TECHNOLOGIES, LLC AND SHOULD NOT BE USED WITHOUT WRITTEN PERMISSION

DIMENSION UNITS	SCALE	CURRENT REV DESC:	<b>molex</b>		
mm	NTS				
GENERAL TOLERANCES (UNLESS SPECIFIED)		EC NO: 653700	0.8 MM PITCH B-TO-B CONN. RECEPTACLE (WITHOUT BOSS) EMBOSS TAPE PACKAGE		
ANGULAR TOL ±		DRWN: AHMADI2			
4 PLACES ±		2021/02/02	PRODUCT CUSTOMER DRAWING		
3 PLACES ±		CHK'D: HSHIMOYAMA			
2 PLACES ±		APPR: SHOSHIKAWA	DOCUMENT NUMBER	DOC TYPE	DOC PART
1 PLACE ±		INITIAL REVISION:	SD-52465-029	PSD	001
0 PLACES ±		DRWN: YSAKIYAMA	SHEET NUMBER	3 OF 3	
DRAFT WHERE APPLICABLE MUST REMAIN WITHIN DIMENSIONS	DRAFT WHERE APPLICABLE MUST REMAIN WITHIN DIMENSIONS	THIRD ANGLE PROJECTION	DRAWING	SERIES	MATERIAL NUMBER
			A3-SIZE	52465	GENERAL MARKET