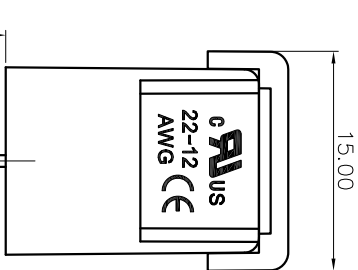
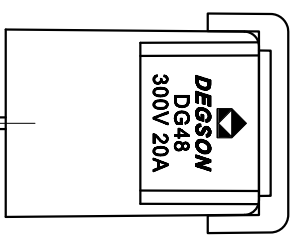
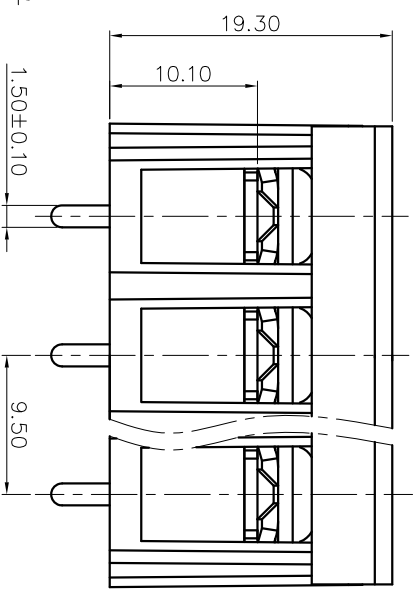
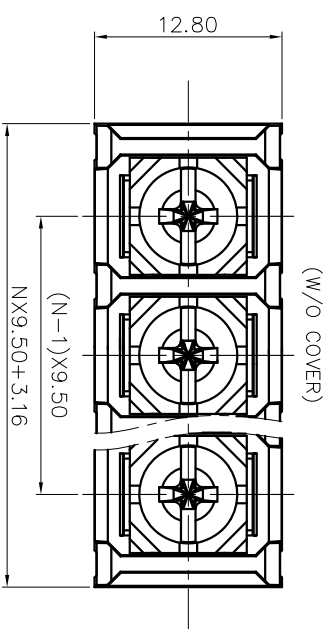


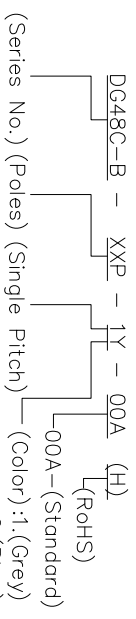
REVISION RECORD			
REV	ECN	DESCRIPTION	DRFT DATE



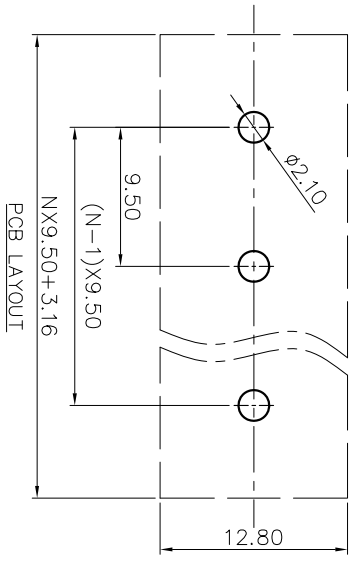
- NOTES1:  
UL Standard  
1. Rated voltage/current : 300V / 20A  
2. Torque value : M4, 10.53Lb.in  
3. Wire range : 22~12AWG
- NOTES2:  
1. Dimension shall be interpreted per ASME Y14.5-2009  
2. Pitch : 9.5mm, Poles : N=02~22P  
3. Withstanding voltage : AC1600V/1Min  
4. Operating temperature: -40°C~+105°C  
5. Undimensioned tolerances:

Pitch	Nominal dimension range		Tolerance
	mm	In mm	
Over	6	Over	0.1/10
TO	10	TO	150
TO	10	TO	150
TO	24	TO	150
TO	30	TO	150
TO	60	TO	150
TO	100	TO	150
TO	150	TO	150
±0.15	±0.20	±0.30	±0.30
±0.30	±0.50	±0.70	±1.00
±1.30	±2.00	±3.00	±2.00

6. RoHS Compliance



- (Series No.) (Poles) (Single Pitch) (Color) : 1.(Grey)  
2.(Blue)  
3.(Black)  
4.(Green)  
5.(Orange)  
6.(Red)  
7.(Transparent)  
8.(Yellow)  
9.(White)



DETACHED LISTS			
PART NO.:	/	NAME:	NINGBO DEGSON ELECTRICAL CO., LTD
APPD:	/	NAME:	宁波高松电子有限公司
CHKD:	/	TITLE:	CUSTOMER DRAWING
DRFT:	/	DRAWING NO.:	/
THIRD ANGLE PROJECTION		DO NOT SCALE DRAWING	SCALE
		REV	DO
		SHEET	1/1
		SCALE	1:1

A 8 7 6 5 4 3 2 1