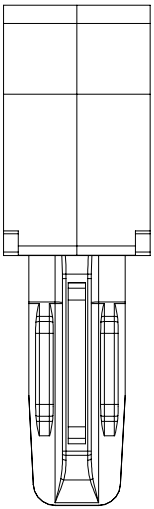
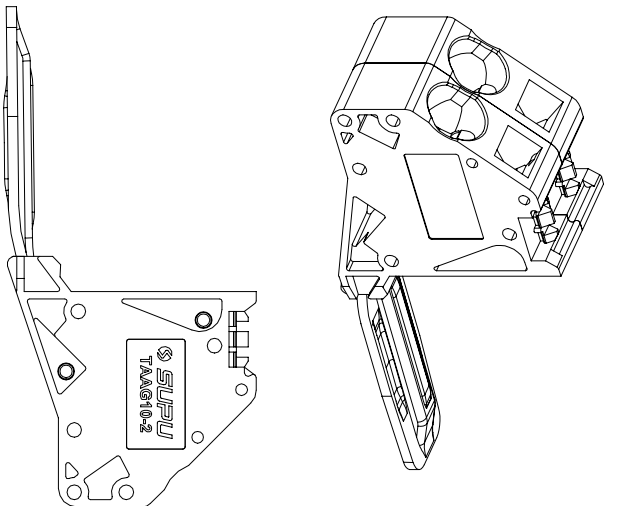
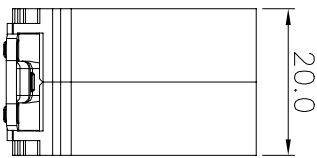
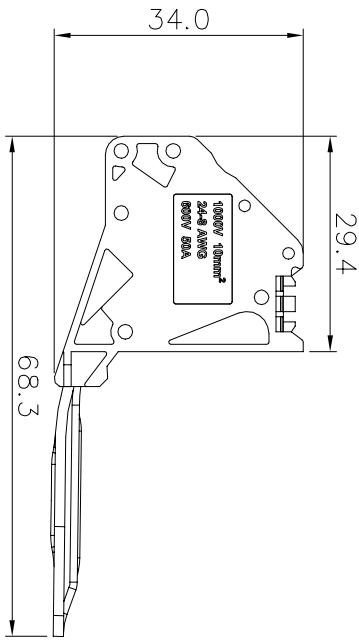
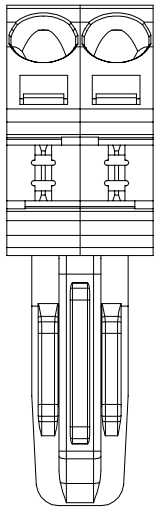


Transmittal, reproduction, dissemination and/or editing of this document as well as utilization of its contents and communication thereof to others without express authorization are prohibited.

未经允许禁止传输、复制、编辑该文档，以及利用其内容进行交流

REVISION RECORD			
REV	ECN	DESCRIPTION	DATE



NOTES:  
UL/CUL Standard  
1. Conductor cross section : 24~8AWG  
2. Rated Voltage/Current :

Use group	B	C	D
Rated voltage(V)	600	600	600
Rated current(A)	50	50	50

IEC Standard  
1. Conductor cross section :

Wire range(Solid/Stranded)	0.2-10mm <sup>2</sup>
Solid	0.2-16mm <sup>2</sup>
Stranded	0.2-10mm <sup>2</sup>
Stranded with ferrules	0.2-10mm <sup>2</sup>
Stranded with plastic sleeve	0.2-10mm <sup>2</sup>
Stranded with ferrules with plastic sleeve	0.2-10mm <sup>2</sup>

2. Rated Voltage/Current :

Surge voltage category	III
Pollution degree	3
Rated surge voltage(kV)	8
Rated voltage(V)	1000
Rated current(A)	57

Material:

Insulator	PA66	UL94 V-0
Conductor	Copper alloy	Sn plated
Spring	Stainless steel	

General information:  
1. Dimension shall be interpreted per ASME Y14.5-2009  
2. Stripping length : 12-13mm  
3. Operating temperature: -40°C~+105°C  
4. RoHS Compliance  
5. Undimensioned Tolerances:

Pitch Range in mm	Nominal Dimension	Range	Tolerance
6	Over 6	Over 30	Over 100
10	To 10	To 60	To 150
24	To 24	To 100	To 150
30	To 30	To 150	To 150
±0.15	±0.20	±0.30	±0.50
		±0.70	±1.00
			±1.30
			±2°

HOW TO ORDER:

TAA610-2-XX

Series No. Color: GY: Grey

Order No	Item	Signature	Date	Name	Drawing No	Material	Notes	未注公差 Tolerance	表面 Surface
TAA610-2-XX	TAAG10-2-XX	mxr	12/22/22"	分线端子	PRM003513	Notes	411014984	版本号 Revision Number	VDI21
12/22/22"	12/22/22"	-	-	物料号 Item No.				第1页/共1页 1 of 1	重量 Weight / 比例 Scale 1:1
12/22/22"	12/22/22"	-	-	工艺 Process					
12/22/22"	12/22/22"	-	-	标准化 Standardization					
12/22/22"	12/22/22"	-	-	批准 Approve					

SUPU 宁波普电子有限公司  
NINGBO SUPU ELECTRONICS CO., LTD.