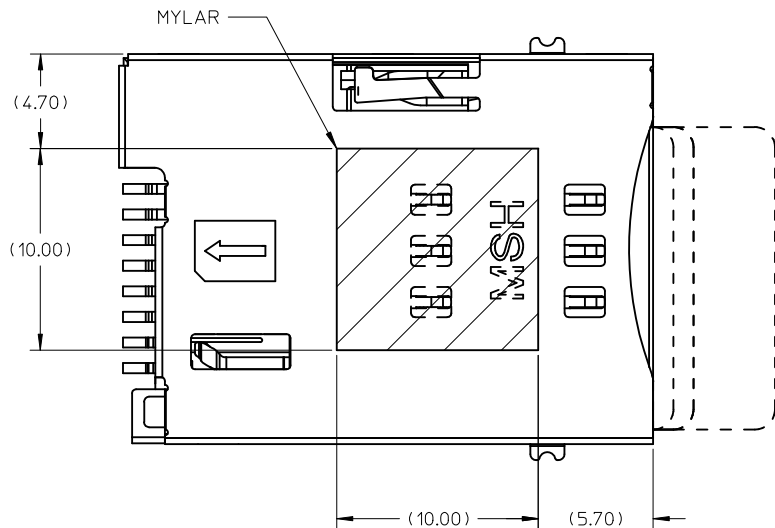


10 9 8 7 6 5 4 3 2 1



PART WITH MYLAR

NEW DIM TOL CTRL EC NO: S2011-0880 DRW:KHLIM 2011/04/13 CHKD:JTAN02 2011/04/25 APPR:SKTOH 2011/05/27	QUALITY SYMBOLS	GENERAL TOLERANCES (UNLESS SPECIFIED)		DIMENSION STYLE MM ONLY		SCALE NTS	DESIGN UNITS METRIC	THIRD ANGLE PROJECTION	
	$F_A=0$	mm	INCH	DRAWN BY	DATE	TITLE			
	$F_C=0$	4 PLACES ± ---	± ---	SKANG	2009/10/16	PUSH PUSH 6 PINS SIM WITH DETECT PIN&POST WITH MYLAR, HALOGEN FREE			
	$F_P=0$	3 PLACES ± ---	± ---	CHECKED BY	DATE				
	2 PLACES ± 0.15	± ---	ATSEE	2009/11/12	MOLEX INCORPORATED				
	1 PLACE ± ---	± ---	APPROVED BY	DATE					
	ANGULAR ± ---°			MLONG	2009/12/02	MATERIAL NO.		DOCUMENT NO.	
		DRAFT WHERE APPLICABLE MUST REMAIN WITHIN DIMENSIONS		47553-3001		SD-47553-301		SHEET NO. 2 OF 2	
A2	REV			SIZE	THIS DRAWING CONTAINS INFORMATION THAT IS PROPRIETARY TO MOLEX INCORPORATED AND SHOULD NOT BE USED WITHOUT WRITTEN PERMISSION				

9 8 7 6 5 4 3 2 1