

Data sheet

Commercial Art.No.: 92.257.3060.1

Cable assembly GST18i5KSBS 15H 30SW

GST18i5 connection cable female - male, length 3.0 m, 5 pole, coding mains 250 V/ 400 V, 16 A, coding color black, strain relief color black, cable color black, cross section 1.5 mm², cable type H05Z1Z1-F, fire class: Eca



Commercial Art.No.	92.257.3060.1
EAN	4015573641396
Order Unit	1

Certificates / Approvals



Technical data

General

Rated current	16 A
Rated voltage	250 V / 400 V
Rated impulse voltage	4 kV
Pollution degree	2
Mechanical coding	Code 1
Lockable	self-locking (unlocking by tool)
Color of coding/ contact carrier	black
Marking of poles	3, N, PE, 2, 1
Color of housing inclusive strain relief	black

Model

Nominal cross section conductor	1.5 mm ²
Degree of protection (IP)	IP20
Cable type	H05Z1Z1-F
Cable color	black
Cable diameter max.	10.1 mm
Version of cable	female - male
Type of cord set	connecting cable
Version cable end 1	GST18i5 female
Version cable end 2	GST18i5 plug

Material

Surface finish	Tin-plated
----------------	------------

halogen free	yes
Continuous temperature of cable	70 °C
Insulation components continuous temperature	100 °C
Fire load	1.879 kWh
Fire class	Eca

Dimensions

Total length	3 m
--------------	-----

Classification

ECLASS 11	
ECLASS 8.1	27440604
ETIM 7.0	EC002587
ETIM 6.0	EC002587
ETIM 5.0	EC002587
ETIM 4.0	EC002587

Product compliance

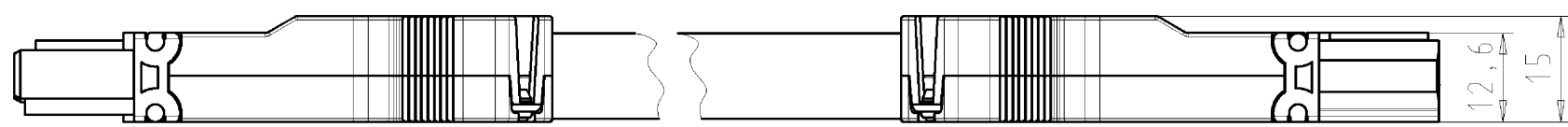
ROHS conformity status	Compliant/Exempted
ROHS exceptions	III-6(c)
REACH-SVHC conformity status	Duty-To-Declare
REACH-SVHC substances	Lead
REACH-SVHC CAS numbers	7439-92-1

Accessories

Commercial Art.No.:	Article-type description:	Description:
05.587.3156.0	Lock (G)ST18 WS	Locking device for cable to cable connection GST18i3-5, white
05.564.5353.0	cover cap GST18i3/4/5 SW	Cover piece 12 pole black for female parts GST18i3-6
05.564.5353.2	cover cap GST18i3/4/5 WS	Cover piece 12 pole white for female parts GST18i3-6
05.566.9253.0	cover cap GST18i5 BUCHSEN	Cover for female connectors GST18i5, black
05.587.3156.1	Lock (G)ST18 SW	Locking device for cable to cable connection GST18i3-5, black

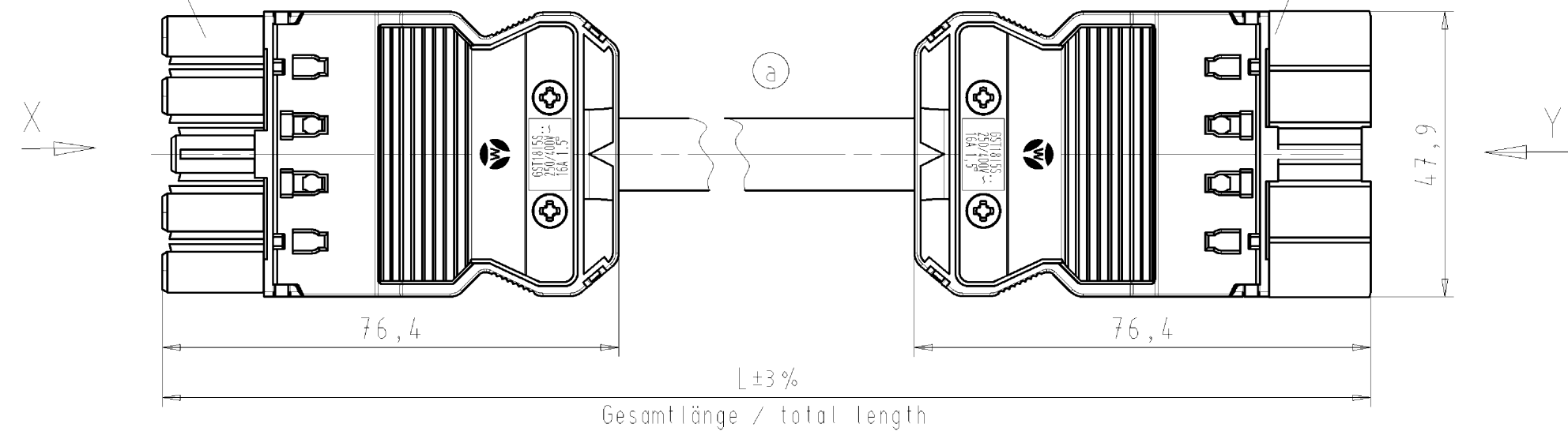
These dimensions will be especially checked at delivery
 Only inspection dimensions
 With /E marked dimensions are only valid for internal use

Diese Maße werden bei Abnahme besonders geprüft
 Ausschließlich Prüfmaße
 Mit /E gekennzeichnete Maße sind nur für interne Zwecke gültig



Buchsenteil/female connector Steckerteil/male connector

Kabel/cable H05Z1Z1-F 5G 1,5
 Farbe/colour: siehe Tabelle/see table



Typ/type: GST1815KSBS 15H.. SW = schwarz/black
 WS = weiß/white

.F	Farbe colour	Codierung "X" Buchse female	Codierung "Y" Stecker male	Kabelfarbe cable colour
.1	schwarz black	3 N PE 2 1	1 2 PE N 3	schwarz black
.2	weiß white			weiß white

Weitere Daten siehe Katalog
 further data see catalog

Teile-Nr. part-no.	L	Beispiel (Farbe: schwarz) exampel (colour: black)	Typ type
92.257.XX60.F	XX in dm-Schritten	92.257.1060.1 = 10dm/L= 1000mm	GST1815KSBS 15H 10SW
U2.257.XX60.F	XX in m-Schritten	U2.257.1260.1 = 12 m/L=12000mm	GST1815KSBS 15H X12SW

Tolerierung nach DIN 7167/Tolerance system acc. to DIN 7167.
 (This DIN-standard describes the envelope principle. According to the envelope principle the deviations of form and parallelism are limited by the size tolerances).

ja/yes Stoffverbots- und Deklarationsliste nach UU-TOM-05/03 ist einzuhalten.
 Conformity with Wieland document UU-TOM-05/03 (list of prohibited / declarable hazardous substances) to be declared!

Freitoleranz nach General tolerance	CAD - Zeichnung, keine manuellen Änderungen CAD - drawing, no manual modifications allowed	1.Verwendung: First Use:	Blatt: 1 von 1 Sheet: of 1	
	Werkstoff/Material	2007 Tag/Date Name	Zeichnung Nr./Drawing No. Index	
		gezeichnet/drawn 02.03. DUETSCH T.		
	Maßstab/Scale	geprüft/checked	T 92.257.1060.1 01K a	
	%	Normgepr. Stand. check		
	Vol. mm ³ Ofl./Surf. mm ²	Ersatz für/Replacement for: -	Maße in mm/Dimensions are in mm	
		Type	Benennung/Tittle	
a 01.02.2012/		PRE-ASSEMBLED CABLE KONFEKT_LEITUNG		
Index Datum / Blatt Date / Sheet	Elektrische Verbindungen	Buchse/female - Stecker/male halogen-free Schraubanschluß/screw connection 250/400V 1,5qmm		
Änderung/Revision				

Weitergabe sowie Vervielfältigung dieses Dokuments, Verwertung und Mitteilung seines Inhalts sind verboten, soweit nicht ausdrücklich gestattet.
 The reproduction, distribution and utilization of this document as well as the communication of its contents to others without express authorization is prohibited.

922571060101K_2 CADW2037.dwg 2012-02-02 10:26:47 1:000