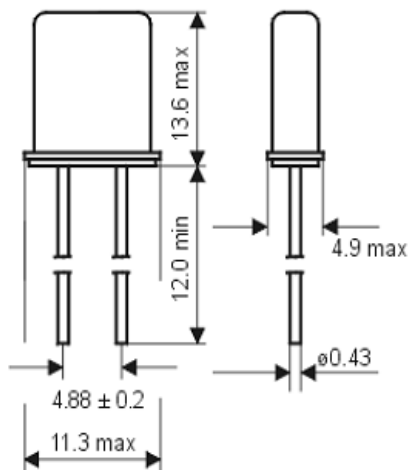


Quartz Crystal

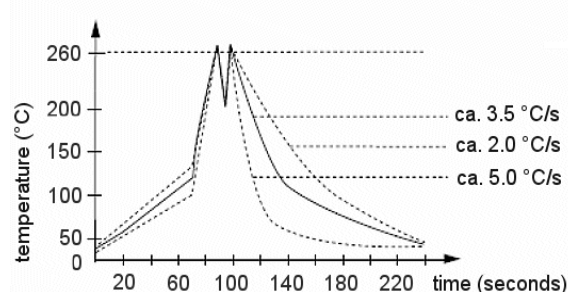
HC-49/U

model	KX-49
frequency range	1.84320 ~ 30 MHz
mode	fundamental
operating temperature	standard -20° ~ + 70°C available -40° ~ + 85°C (= KX-49T) available -40° ~ +105°C (= KX-49E)
frequency tolerance at +25°C	standard: ±30 ppm available: ±5 ~ 50 ppm
temperature tolerance at -20° ~ +70°C	standard: ±50 ppm available ±5 ~ 50 ppm
load capacitance C_L	standard: 30 pF avail: 10 ~ 30 pF
series resistance R1 max.	1.8432 600 Ohm 2.0 400 Ohm 2.4576 200 Ohm 3.0 150 Ohm > 4.0 60 Ohm
aging at +25°C (first year) max.	±5 ppm
shunt capacitance C_0 max.	7 pF
drive level max	0.5 ~ 2 mW

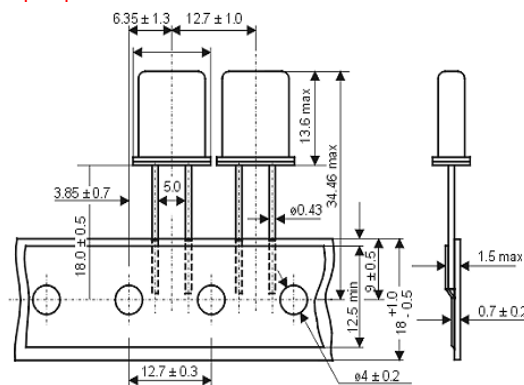
Dimensions (mm):



Wave soldering condition:



Tape specification:



Taped crystals upon request