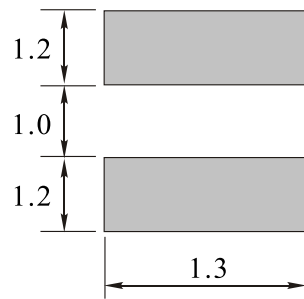
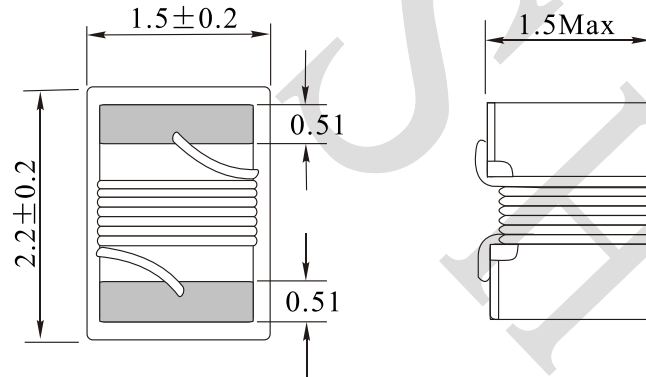
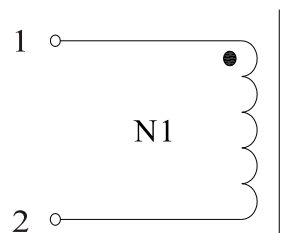


Rev.	Description	Date
A0	New release	2022.12.05

1. PHYSICAL CHARACTERISTICS (mm)



2. ELECTRONICAL SCHEMATIC



3. ELECTRONICAL SPECIFICATIONS

L: 100nH ± 5% @ 150MHz, 0.2V

Q: 40 typ. @ 150MHz

DCR: 0.42 Ω Max

IDC : 350mA Max

SRF: 1310MHz Min

Operating temperature: -25°C to +125°C

Test Instrument:

L, Q: HP4294A+42942A+16193A

RDC: HM2540

IDC: WK3260B

Note:

1. Solderability: leads shall meet MIL-STD-202, Method 208D for solderability.
2. Flammability: UL94V-0
3. ASTM oxygen index: >28%

NAME:	Surface-mount wire-wound ceramic chip inductors		
CUSTOMER P/N:	B82498B3101J	DATE:	2022-12-05
SHINHOM P/N:	AISC0805-R10J-0.35A	REV: A0	PAGE
DRAWN BY	CHECKED BY	APPROVE BY	



SHINHOM
SHAANXISHINHOM ENTERPRISE CO LTD

The Document property belong to SHINHOM & is not allowed to be duplicated without authorization