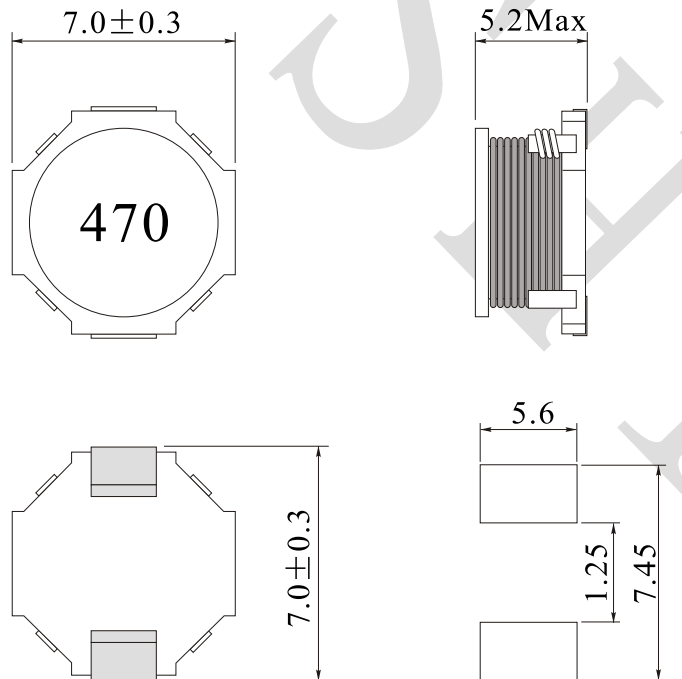
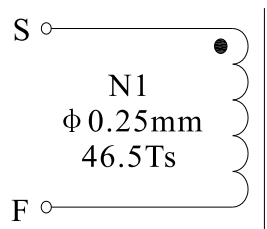


Rev.	Description	Date
A0	New release	2022.12.07

1. PHYSICAL CHARACTERISTICS (mm)



2. ELECTRONICAL SCHEMATIC



3. ELECTRONICAL SPECIFICATIONS

L: 47uH ± 10% @ 1.0KHz, 0.1V

DCR: 230mΩ Max

Rated current: 1.2A Max (Inductance drop 10% Max)

Operating temperature: -40°C to +125°C

(Including temp. rise 40°C)

Storage temperature: -40°C to +85°C

Test Instrument:

L: HP4284A

RDC: HM2540

Note:

1. Solderability: leads shall meet MIL-STD-202,

Method 208D for solderability.

2. Flammability: UL94V-0

3. ASTM oxygen index: >28%

NAME:	Power Inductors		
CUSTOMER P/N:	CDH74NP-470KC	DATE:	2022-12-07
SHINHOM P/N:	SDR0704TA-470K-1.2A	REV: A0	PAGE
DRAWN BY	CHECKED BY	APPROVE BY	



SHINHOM
SHAANXISHINHOM ENTERPRISE CO LTD

The Document property belong to SHINHOM & is not allowed to be duplicated without authorization