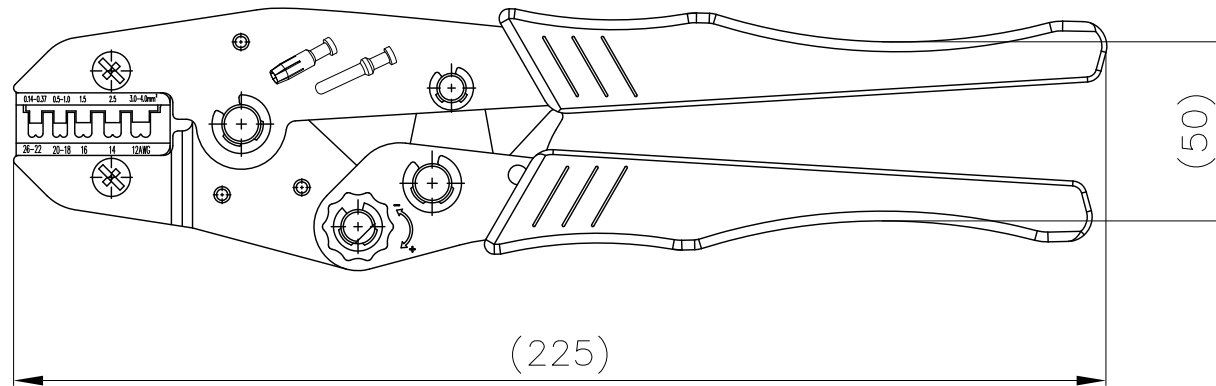

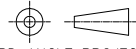


REVISION RECORD				
REV	ECN	DESCRIPTION	DRFT	DATE



Crimping tool
 01. Wire gauge : 0.37-4.0mm²
 02. AWG : 22-12

DETACHED LISTS	PART NO.:	/	 宁波高松电子有限公司 NINGBO DEGSON ELECTRICAL CO., LTD		
	APPD: Huang JS 2016.08.08	NAME:	TL1-4.0		
	CHKD: Yang SH 2016.08.08	TITLE: CUSTOMER DRAWING	REV	D0	
	DRFT: Zhou YZ 2016.08.08	DRAWING NO.:	SHEET	1/1	
 THIRD ANGLE PROJECTION		MM (INCH)	DO NOT SCALE DRAWING	SCALE	1:1.5