

MATERIALS AND FINISHES

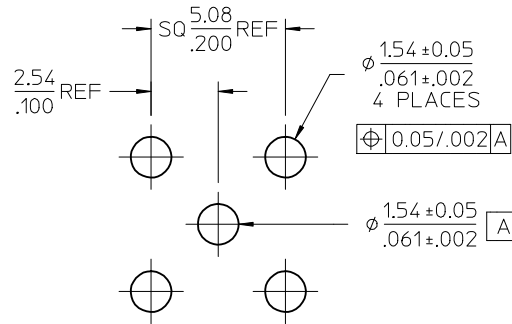
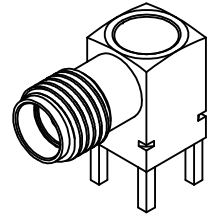
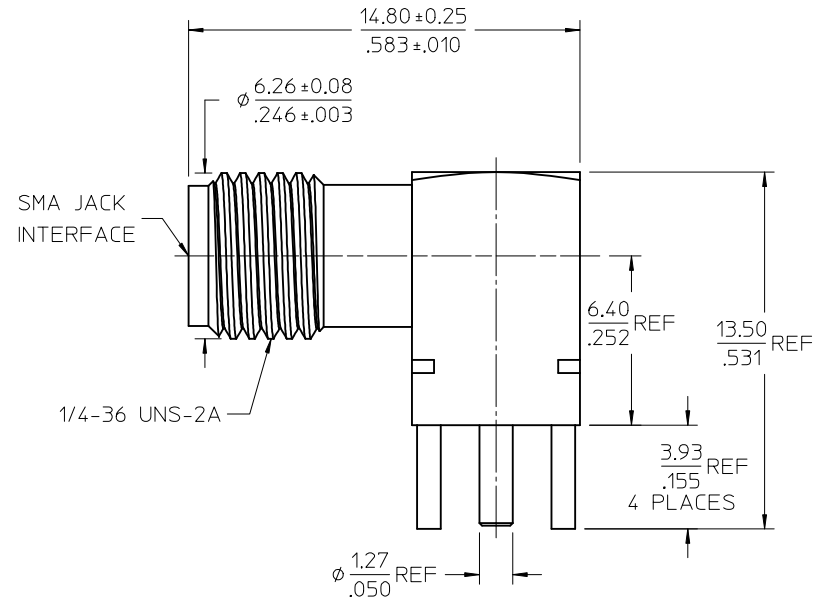
BODY BRASS
PLATED GOLD

CENTER CONTACT BERYLLIUM COPPER
PLATED GOLD

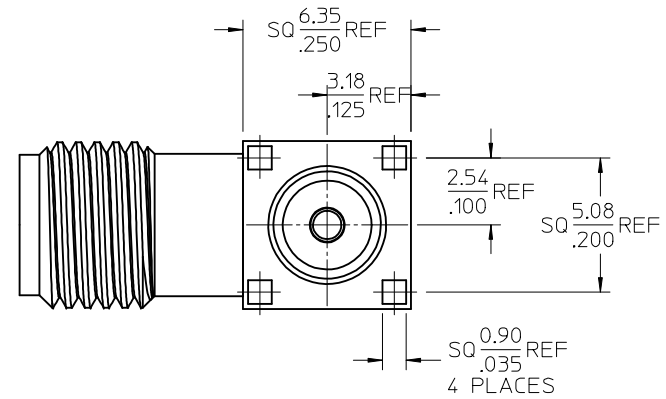
PCB CONTACT BRASS
PLATED GOLD

INSULATOR TEFLON

EXCEPTION TO PRODUCT SPECIFICATION
73598-0111: FREQUENCY RANGE: DC TO 12GHZ



RECOMMENDED MOUNTING HOLE



73251-3130	73100-0114, ONE PER BAG
73100-0114	TRAY
PART NO.	PACKAGING

PS-73598-0111	ELEC/MECH PERFORMANCE
SPECIFICATION	DESCRIPTION

CHG: ADD PACKING SHEET PER RF15-E247	EC NO: URF2015-0738	DRWR:YEH	CHKD:	APPR:YCHENG	DESCRIPTION
2015/06/26	2015/07/01				
REV: C4					

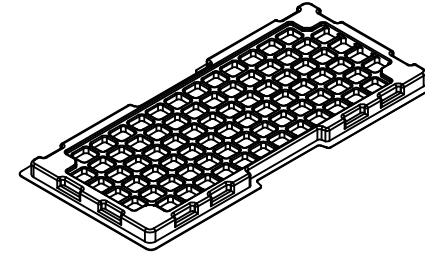
QUALITY SYMBOLS	GENERAL TOLERANCES (UNLESS SPECIFIED)
▽=0	mm INCH
▽=0	4 PLACES ± --- ± ---
▽=0	3 PLACES ± --- ± ---
	2 PLACES ± --- ± ---
	1 PLACE ± --- ± ---
	0 PLACE ± ±
	ANGULAR ± 2 °
	DRAFT WHERE APPLICABLE MUST REMAIN WITHIN DIMENSIONS

DIMENSION STYLE	SCALE	DESIGN UNITS	THIRD ANGLE PROJECTION
MM/IN	7:1	METRIC	☉
DRAWN BY	DATE	TITLE	
THOMPSON TSN	1993/10/15	SMA JACK,R/A PCB,50 OHMS	
CHECKED BY	DATE	SMA-J/PCB	
VL ID WANG	1995/09/23		
APPROVED BY	DATE		
MHUANG	2010/02/22		

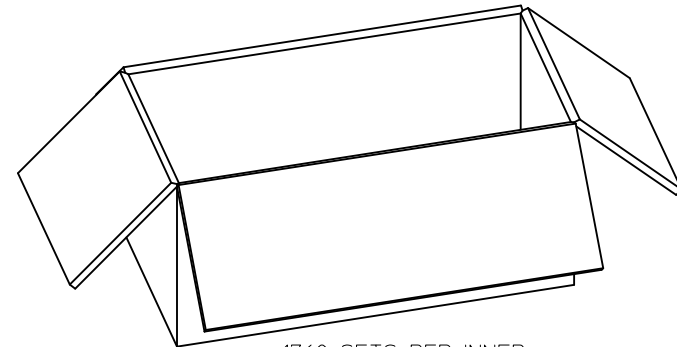
MATERIAL NO.	DOCUMENT NO.	SHEET NO.
SEE TABLE	SD-73100-0114	1 OF 2
THIS DRAWING CONTAINS INFORMATION THAT IS PROPRIETARY TO MOLEX INCORPORATED AND SHOULD NOT BE USED WITHOUT WRITTEN PERMISSION		



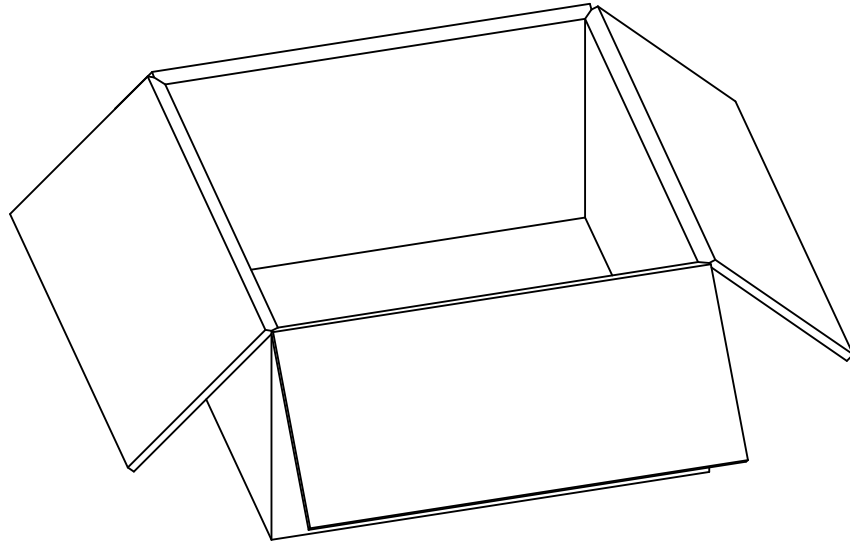
P/N: 73100-0114



80 SETS PER TRAY
P/N: 89707-0190



1760 SETS PER INNER
CARTON BOX
P/N: 96707-0001



3520 SETS PER OUTER
CARTON BOX
P/N: 96708-0005

CHG:SEE SHEET 1
 EC NO: URF2015-0738
 DRAWN:YEH 2015/06/26
 CHKD:
 APPR:YCHENG 2015/07/01
 REV C4

REV	DESCRIPTION
7	QUALITY SYMBOLS
	= 0
	= 0
	= 0
	= 0
	= 0

GENERAL TOLERANCES (UNLESS SPECIFIED)

	mm	INCH
4 PLACES	± ---	± ---
3 PLACES	± ---	± ---
2 PLACES	± ---	± ---
1 PLACE	± ---	± ---
0 PLACE	±	±

ANGULAR ± 2 °
 DRAFT WHERE APPLICABLE MUST REMAIN WITHIN DIMENSIONS

DIMENSION STYLE
MM/IN

DRAWN BY THOMPSON TSN 1993/10/15
 DATE
 CHECKED BY VL ID WANG 1995/09/23
 DATE
 APPROVED BY MHUANG 2010/02/22
 DATE

MATERIAL NO.
SEE TABLE

SIZE

SCALE 1:1
 DESIGN UNITS METRIC
 THIRD ANGLE PROJECTION

TITLE
**SMA JACK,R/A PCB,50 OHMS
 SMA-J/PCB**

molex

DOCUMENT NO. SD-73100-0114
 SHEET NO. 2 OF 2

THIS DRAWING CONTAINS INFORMATION THAT IS PROPRIETARY TO MOLEX INCORPORATED AND SHOULD NOT BE USED WITHOUT WRITTEN PERMISSION