

Data sheet

Commercial Art.No.: 92.944.0053.0

Connector GST18i4F S2 ZR1 WS

GST18i4 connector, 4 pole, male with spring force connection, coding mains 250 V / 400 V, 20 A, coding color white, strain relief color white



Commercial Art.No.	92.944.0053.0
EAN	4015573410589
Order Unit	1

Certificates / Approvals



Technical data

General

Rated current	20 A
Rated voltage	250 V / 400 V
Rated impulse voltage	4 kV
strain relief	yes
Pollution degree	2
Mechanical coding	Code 1
Lockable	self-locking (unlocking by tool)
Color of coding/ contact carrier	white
Marking of poles	2, N, PE, 1
Color of housing inclusive strain relief	white

Connection Data

Cable diameter max.	11.5 mm
Cable diameter min.	9.5 mm
Connection cross section solid mm ² max.	2.5 mm ²
Connection cross section solid mm ² min.	0.75 mm ²
Connection cross section fine stranded mm ² max.	1.5 mm ²
Connection cross section fine stranded mm ² min.	0.75 mm ²
Terminations per pole	2
sheath strip length	53 mm
Wire strip length	9 mm

Model

Model	male
Connection type	spring clamp connection
Degree of protection (IP)	IP20
Remark to type of connection	Fine stranded and stranded conductors require cable end sleeve

Material

Housing material	Polyamide
halogen free	yes

Contact material	CuZn
Fire load	0.155 kWh
Insulation components continuous temperature	100 °C
Surface finish	Tin-plated

Dimensions

Length	75 mm
Width	42.25 mm
Height	17 mm

Classification

ECLASS 11	
ECLASS 8.1	27440605
ETIM 7.0	EC002560
ETIM 6.0	EC002560
ETIM 5.0	EC002560
ETIM 4.0	EC002560

Product compliance

ROHS conformity status	Compliant/Exempted
ROHS exceptions	III-6(c)
REACH-SVHC conformity status	Duty-To-Declare
REACH-SVHC substances	Lead
REACH-SVHC CAS numbers	7439-92-1

Accessories

Commercial Art.No.:	Article-type description:	Description:
05.587.3156.0	Lock (G)ST18 WS	Locking device for cable to cable connection GST18i3-5, white
05.564.5353.0	cover cap GST18i3/4/5 SW	Cover piece 12 pole black for female parts GST18i3-6
05.564.5353.2	cover cap GST18i3/4/5 WS	Cover piece 12 pole white for female parts GST18i3-6
05.566.9153.0	cover cap GST18i4 BUCHSEN	Cover for female connectors GST18i4, black
05.587.3156.1	Lock (G)ST18 SW	Locking device for cable to cable connection GST18i3-5, black

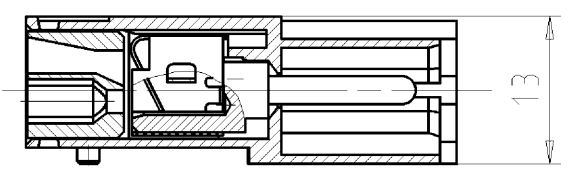
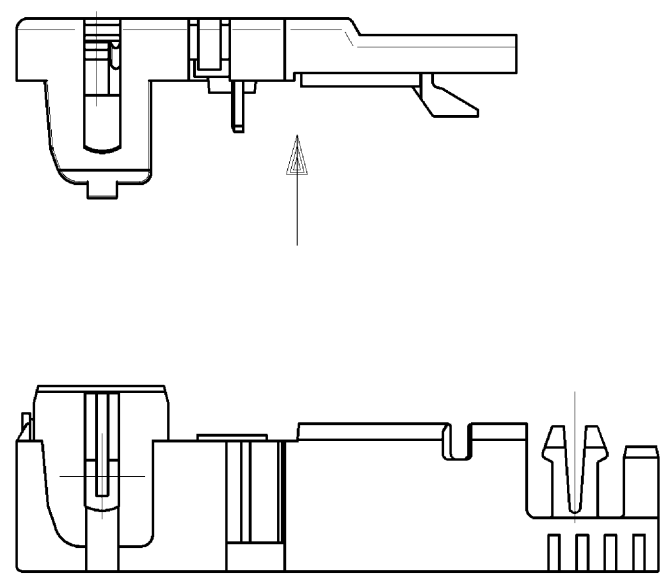
Fits with

Commercial Art.No.:	Article-type description:	Description:
92.943.0053.0	Connector GST18i4F B2 ZR1 WS	GST18i4 connector, 4 pole, female with spring force connection, coding mains 250 V/ 400 V, 20 A, coding color white, strain relief color white
92.043.0058.0	Device connector GST18i4L B1H WS	GST18i4 PCB mount with additional mounting option, 4 pole, female (horizontal), coding mains 250 V/ 400 V, 20 A, coding color white
92.043.0158.0	Device connector GST18i4L B1H GR01	GST18i4 PCB mount with additional mounting option, 4 pole, female (horizontal), coding UPS 250 V/ 400 V, 20 A, coding color pebble grey
92.207.1000.2	Cable assembly GST18i4KSBS 15 10WS	GST18i4 connection cable female - male, length 1.0 m, 4 pole, coding mains 250 V/ 400 V, 16 A, coding color white, strain relief color white, cable color white, cross section 1.5 mm ² , cable type H05VV-F, fire class: Eca

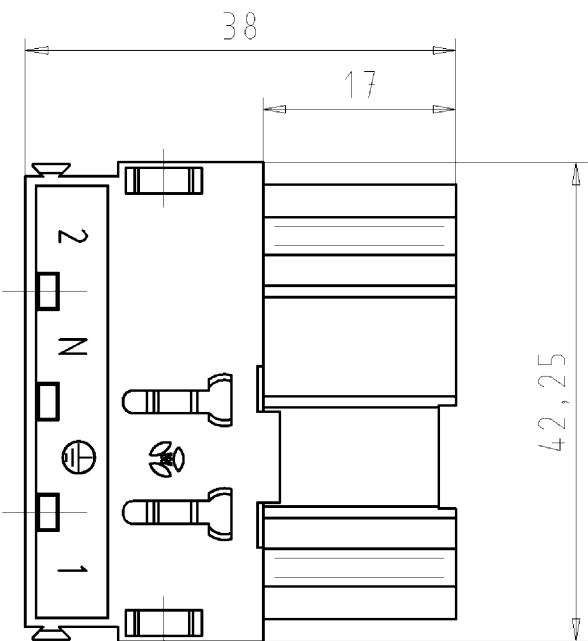
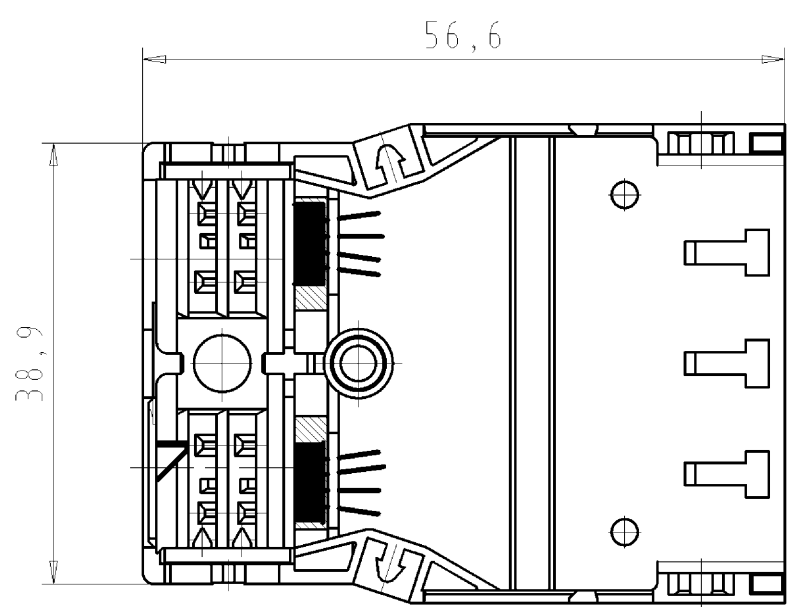
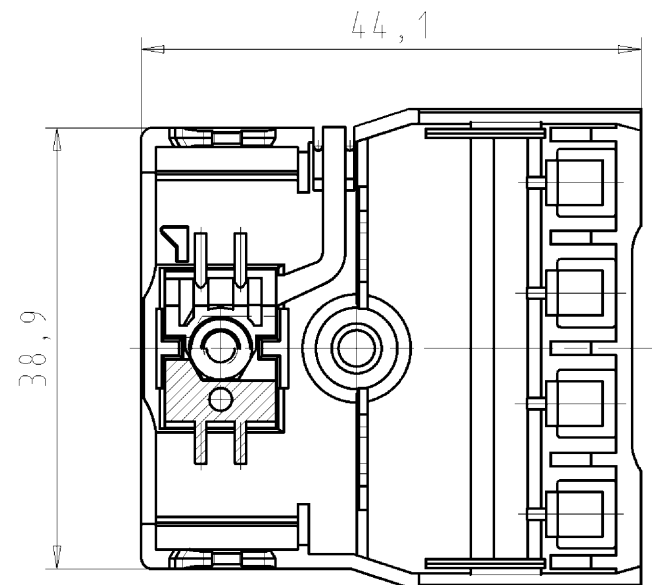
92.207.1004.2	Cable assembly GST18I4KS-S 15 10WS	GST18i4 extension cable male - free end, length 1.0 m, 4 pole, coding mains 250 V / 400 V, 16 A, coding color white, strain relief color white, cable color white, cross section 1.5 mm ² , cable type H05VV-F, fire class: Eca
92.207.1003.0	Cable assembly GST18I4KSB- 15 10TR01	gegis® Connection cable female - free end; length: 1 m; type GST18I4; 4- pole; Code 2; 250/400 V / 16 A; colour of coding: tomato red with blacks train relief; cable: H05VV-F 4G1,5 black, fire class Eca

These dimensions will be especially checked at delivery
 Only inspection dimensions
 With /E marked dimensions are only valid for internal use

Diese Maße werden bei Abnahme besonders geprüft
 Ausschließliche Prüfmaße
 Mit /E gekennzeichnete Maße sind nur für interne Zwecke gültig



Ansicht in Pfeilrichtung
 view in arrow direction



Schraube M3 im Beutel beigelegt
 screw M3 enclosed in the bag

Weitere Daten siehe Katalog
 further data see catalog

Teile-Nr. part-no.	Farbe color	Typ type
92.944.0053.0	weiß/white	GST1814F S2 ZR1 WS
92.944.0053.1	schwarz/black	GST1814F S2 ZR1 SW

Tolerierung nach DIN 7167/Tolerance system acc. to DIN 7167. (This DIN-standard describes the envelope principle. According to the envelope principle the deviations of form and parallelism are limited by the size tolerances).				ja/yes <input checked="" type="checkbox"/> Stoffverbots- und Deklarationsliste nach UU-TOM-05/03 ist einzuhalten. Conformity with Wieland document UU-TOM-05/03 (list of prohibited / declarable hazardous substances) to be declared!			
Freitoleranz nach General tolerance		CAD - Zeichnung, keine manuellen Änderungen CAD - drawing, no manual modifications allowed		1. Verwendung: First Use:		Blatt: 1 von 1 Sheet: of 1	
/		Werkstoff/Material		2011 Tag/Date Name		Zeichnung Nr./Drawing No. Index	
/		Maßstab/Scale		gezeichnet/drawn 10.03. Dütsch T.		T 92.944.0053.0 01K a	
/		%		geprüft/checked - -		Maße in mm/Dimensions are in mm	
/		Vol. mm³ Ofl./Surf. mm²		Normgepr. Stand. check - -		Ersatz für/Replacement for: -	
/		a 29.11.2013/		Type		Benennung/Title MALE CONNECTOR WITH STRAIN RELIEF	
Index Datum / Blatt Date / Sheet		wieland		STECKERTEIL_M_ZUGENTLASTUNG		Federkraftanschluß / spring clamp connection	
Änderung/Revision		Elektrische Verbindungen		a 250/400V AC, 20A, 2,5qmm			

Weitergabe sowie Vervielfältigung dieses Dokuments, Verwertung und Mitteilung seines Inhalts sind verboten, soweit nicht ausdrücklich gestattet.
 The reproduction, distribution and utilization of this document as well as the communication of its contents to others without express authorization is prohibited.

929440053001K_2_CADW3030_Lunz 2013-11-29T08:46:31 1.000