

## Data sheet

Commercial Art.No.: 75.012.5053.0

Male insert MOT STC 2 10 69

revos MOT 10 pole + ground, male insert 690V/16A



Commercial Art.No.	75.012.5053.0
EAN	4015573587137
Order Unit	10

Certificates / Approvals



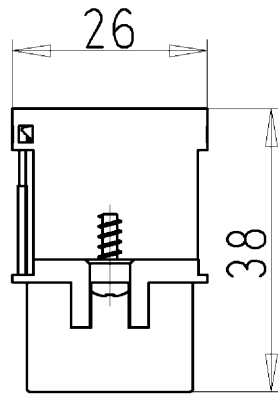
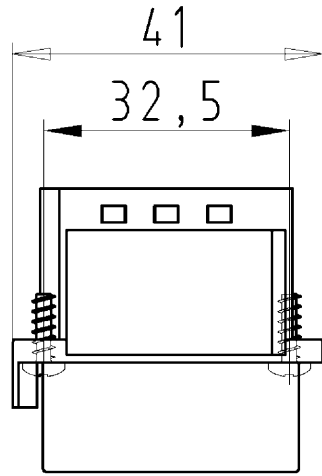
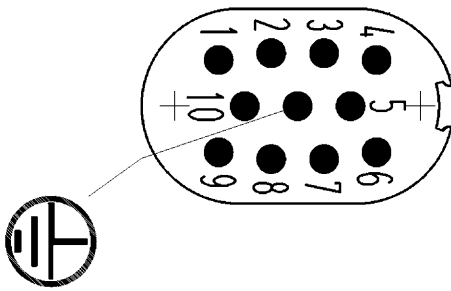
## Technical data

### Classification

ECLASS 11	
ECLASS 8.1	27440205
ETIM 7.0	EC000438
ETIM 6.0	EC000438
ETIM 5.0	EC000437

### Product compliance

ROHS conformity status	Compliant
REACH-SVHC conformity status	Compliant



Steckereinsatz  
75.012.5053.0

© 07.07.2014 HOA  
Zeichnungsnummer  
75.012.5053.010W  
Steckereinsatz

16.11.2007  
Hollet Florian  
M 1:1