

Data sheet

Commercial Art.No.: 71.425.1637.0

Bottom BAS GUM GP 16 B

Bottom-base revos basic metal-series without coating, with single locking lever and protective cover, low version, 16-poles



Commercial Art.No.	71.425.1637.0
EAN	4049088350610
Order Unit	1

Technical data

General

Housing material	aluminum
Color	Grey
Surface	Bare
UV resistant	yes
Inflammability class of insulation material acc. with UL94	Other
Operating temperature range min.	-40 °C
Operating temperature range max.	120 °C

Model

Construction	16
Locking mechanism	Single locking lever
Cable entry	None
With cable screw gland	No
Thread size PG	
Hinged lid	yes
EMC-version	No
Length	113 mm
Width	95 mm
Height	29 mm

Classification

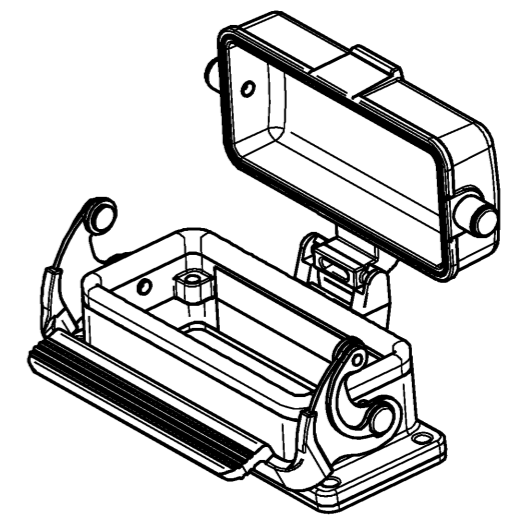
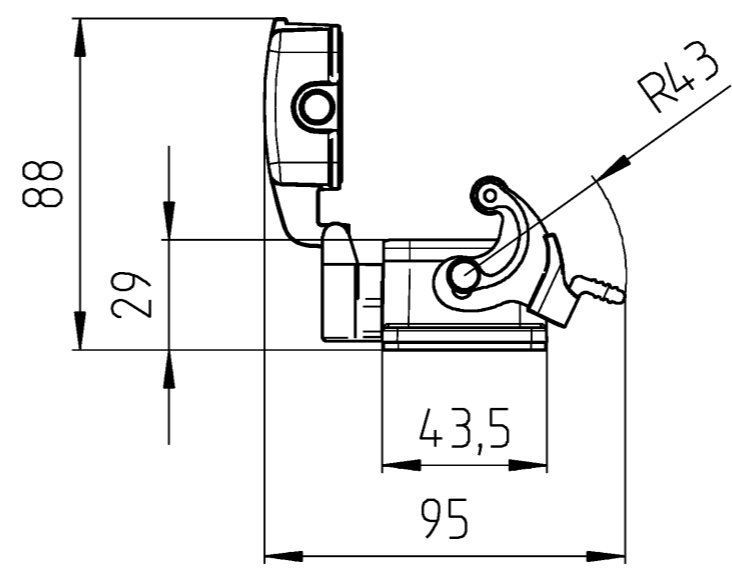
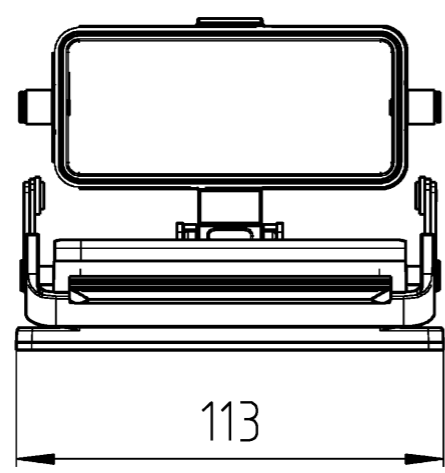
ECLASS 11	
ECLASS 8.1	27440202
ETIM 7.0	EC000437

ETIM 6.0	EC000437
ETIM 4.0	EC000437
ETIM 3.0	EC000437

Fits with

Commercial Art.No.:	Article-type description:	Description:
70.300.1602.0	Female insert BAS BUS 16 2,5 50 AG	Female insert revos basic, 16-poles, rated current: 16A, rated voltage:500V, with silver-plated contacts
70.300.1640.0	Female insert BAS BUS 16 2,5 50	Female insert revos basic, 16-poles, rated current: 16A, rated voltage:500V, with tin-plated contacts
70.301.1640.0	Female insert BAS BUS 16 2,5 50 AU	Female insert revos basic, 16-poles, rated current: 16A, rated voltage:500V, with gold-plated contacts
70.302.1640.0	Female insert BAS BUS OD 16 2,5 50	Female insert revos basic, 16-poles, rated current: 16A, rated voltage:500V, with tin-plated contacts
70.310.1602.0	Male insert BAS STS 16 2,5 50 AG	Male insert revos basic, 16-poles, rated current: 16A, rated voltage: 500V, with silver-plated contacts
70.310.1640.0	Male insert BAS STS 16 2,5 50	Male insert revos basic, 16-poles, rated current: 16A, rated voltage: 500V, with tin-plated contacts
70.311.1640.0	Male insert BAS STS 16 2,5 50 AU	Male insert revos basic, 16-poles, rated current: 16A, rated voltage: 500V, with gold-plated contacts
70.312.1640.0	Male insert BAS STS OD 16 2,5 50	Male insert revos basic, 16-poles, rated current: 16A, rated voltage: 500V, with tin-plated contacts
70.500.1653.0	Female insert BAS BUF 16 2,5 50	Female insert revos basic, 16-poles, rated current: 16A, rated voltage:500V, with silver-plated contacts
70.510.1653.0	Male insert BAS STF 16 2,5 50	Male insert revos basic, 16-poles, rated current: 16A, rated voltage: 500V, with tin-plated contacts
70.700.1658.0	Female insert BAS BUC 16 50	Female insert revos basic, 16-poles, rated current: 16A, rated voltage:500V, with tin-plated contacts
70.710.1658.0	Male insert BAS STC 16 50	Male insert revos basic, 16-poles, rated current: 16A, rated voltage: 500V, with tin-plated contacts
70.800.3256.0	Female insert BAS BUCK 32 50 PC	Female insert revos basic, 32-poles, polycarbonate insert, rated current: 16A, rated voltage: 500V, with gold-plated or silver-plated contacts
70.810.3256.0	Male insert BAS STCK 32 50 PC	Male insert revos basic, 32-poles, polycarbonate insert, rated current: 16A, rated voltage: 500V, with gold-plated or silver-plated contacts
70.400.0640.0	Female insert BAS BUS 6 2,5 64	Female insert revos basic, 6-poles, rated current: 16A, rated voltage: 690V, with tin-plated contacts
70.410.0640.0	Male insert BAS STS 6 2,5 64	Male insert revos basic, 6-poles, rated current: 16A, rated voltage: 690V, with tin-plated contacts
72.300.1653.0	Female insert BAS BUS 16 2,5 69	Female insert revos basic, 16-poles, rated current: 16A, rated voltage:690V, with tin-plated contacts
72.310.1653.0	Male insert BAS STS 16 2,5 69	Male insert revos basic, 16-poles, rated current: 16A, rated voltage: 690V, with tin-plated contacts
72.700.1658.0	Female insert BAS BUC 16 69	Female insert revos basic, 16-poles, rated current: 16A, rated voltage:690V, with tin-plated contacts
72.710.1658.0	Male insert BAS STC 16 69	Male insert revos basic, 16-poles, rated current: 16A, rated voltage: 690V, with tin-plated contacts
73.800.7253.0	Female insert DD BUC 72 1,5 25	revos DD 72 pole + ground, female insert 250V/10A, crimp connection
73.810.7253.0	Male insert DD STC 72 1,5 25	revos DD 72 pole + ground, male insert, 250V/10A, crimp connection
70.405.1653.0	Female insert BAS BUP 16 2,5 50 AG	Female insert revos basic, 16-poles, rated current: 16A, rated voltage:500V, with silver-plated contacts
70.415.1653.0	Male insert BAS STP 16 2,5 50 AG	Male insert revos basic, 16-poles, rated current: 16A, rated voltage: 500V, with silver-plated contacts

A These dimensions will be especially checked at delivery
 B Only inspection dimensions
 C With /E marked dimensions are only valid for internal use
 D Diese Maße werden bei Abnahme besonders geprüft
 E Ausschließlich Prüfmaße
 F Mit /E gekennzeichnete Maße sind nur für interne Zwecke gültig

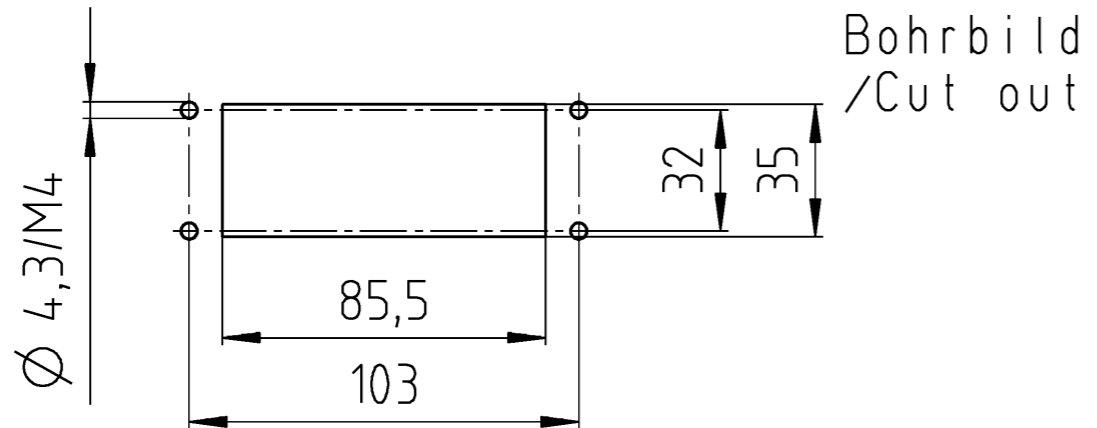


71.425.1637.0	BAS GUM GP 16 B
Bestellnummer / Order number	Typ / Type

Weitere Daten siehe KATALOG oder eKatalog. Additional data see CATALOG or eCatalog. www.wieland-electric.com
eshop.wieland-electric.com

Tolerierung Size ISO 14405 (E) / Tolerance system Size ISO 14405 (E). (This ISO-standard describes the envelope principle. According to the envelope principle the deviations of form and parallelism are limited by the size tolerances). ja/yes Stoffverbots- und Deklarationsliste nach WN 5020.010 ist einzuhalten. Conformity with Wieland document WN 5020.010 e (list of prohibited / declarable hazardous substances) to be declared!

Freitoleranz nach General tolerance CAD - Zeichnung, keine manuellen Änderungen CAD - drawing, no manual modifications allowed 1. Verwendung: First Use. Blatt: 1 von 1 of Sheet: 1 of



Werkstoff / Material		Tag/Date	Name	Zeichnung Nr. / Drawing No.	Index
Aluminium		10.06.2015	Lunz S.		
Maßstab / Scale		gezeichnet / drawn		71.425.1637.0 13K	
1:2		geprüft / checked			
		Normgepr. / Stand. check			
Vol. --- mm ³		Ofl./Surf. --- mm ²		Maße in mm / Dimensions are in mm	
Ersatz für / Replacement for:		Type		Benennung/Title	
www.wieland-electric.com		revos		GEHAEUSEUNTERTEIL	
Änderung / Revision		BASIC M		Baugröße 16 offen mit Klappdeckel OPEN HOUSING size 16 with protective cover	

Weitergabe sowie Vervielfältigung dieses Dokuments, Verwertung und Mitteilung seines Inhalts sind verboten, soweit nicht ausdrücklich gestattet. The reproduction, distribution and utilization of this document as well as the communication of its contents to others without express authorization is prohibited.