



Magnetic Transducer

EMX-8T01P SERIES FEATURES:

Rev.2

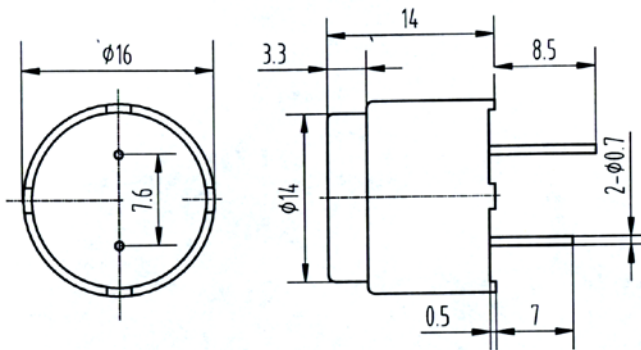


- Low Current
- Compact
- Rich Sound

APPLICATIONS:

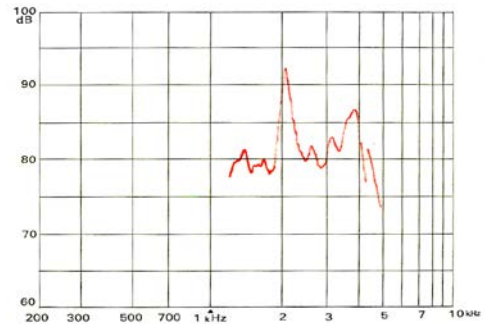
- Automatic Control Equipment
- Communication Equipment
- Electronic Instruments

DIMENSIONS: (Unit: mm)



CHARACTERISTICS:

EMX-8T01P



ELECTRICAL SPECIFICATIONS:

Model No.	EMX-8T01P	EMX-8T06P	EMX-8T12P
Min. Sound Pressure Level (dB)	80/1.5V/10cm	85/6V/10cm	85/12V/10cm
Rated Voltage (V)	1.5	6	12
Operating Voltage (V)	1~ 3	4~8	9~ 15
Max. Consumption (mA)	12	40	
Coil Resistance (Ω)	27 \pm 3	50 \pm 5	115 \pm 5
Coil Impedance (Ω)	80	110	220
Resonant Frequency (Hz)	2048		
Operating Temperature ($^{\circ}$ C)	-25~ +70		
Storage Temperature ($^{\circ}$ C)	-30~ +85		
Weight (g)	5		

PACKING INFORMATION:

Packing: 900 pcs per export carton

Carton Size: 47 \times 25 \times 23cm

G. Weight: 6 kgs N. Weight: 4.5 kgs

Address: No. 88. Jinhui East Road Yinzhou, Ningbo, 315104 P. R. China

Sales Tel: +86-574-87809820(International)/87805605(Domestic)

Fax: +86-574-87803761