

Data sheet

Commercial Art.No.: 96.054.6053.1

Device connector RST20i5 S1 M90V SW

RST20i5 device connector (90° angled) M20, 5 pole, male, screw connection, modular, application 250/400V with PE, 20A, coding color black, color of housing black



Commercial Art.No.	96.054.6053.1
EAN	4015573861787
Order Unit	1

Certificates / Approvals



Technical data

General

Rated current	20 A
Rated voltage	250 V / 400 V
Pollution degree	3
Rated impulse voltage	4 kV
Lockable	self-locking (unlocking by tool)
Color of coding/ contact carrier	black
Marking of poles	1, 2, 3, N, PE
Color of separate adapter (if present)	black

Connection Data

Connection cross section solid mm ² max.	4 mm ²
Connection cross section solid mm ² min.	0.75 mm ²
Connection cross section solid AWG min.	18 AWG
Connection cross section solid AWG max.	14 AWG
Connection cross section fine stranded mm ² max.	4 mm ²
Connection cross section fine stranded mm ² min.	0.75 mm ²
Terminations per pole	1
Wire strip length	8 mm
Connection cross section stranded AWG min.	18 AWG
Connection cross section stranded AWG max.	14 AWG

Model

Model	male
Connection type	screw connection

Connecting thread metric	M20
Angle of plug	Square
Inclination	90 °
Degree of protection (IP)	IP66/68 (3m;2h) /IP69
Thickness of housings (electrical device) 2	0.5 mm
Thickness of housings (electrical device)	8 mm

Material

Housing material	Polyamide
halogen free	yes
Contact material	CuZn
Fire load	0.235 kWh
Insulation components continuous temperature	100 °C
Surface finish	Silver-plated

Dimensions

Length	71.4 mm
Width	34.6 mm
Height	54.3 mm

Classification

ECLASS 11	
ECLASS 8.1	27440602
ETIM 7.0	EC002566
ETIM 6.0	EC002566
ETIM 5.0	EC002566
ETIM 4.0	EC002566

Note

Note	RST® terminals with screw clamping allow the connection of conductors without special preparation (without ferrules) according to EN 60999-1.; Positioning realised with flattened thread
------	---

Product compliance

ROHS conformity status	Compliant/Exempted
ROHS exceptions	III-6(c)
REACH-SVHC conformity status	Duty-To-Declare
REACH-SVHC substances	Lead
REACH-SVHC CAS numbers	7439-92-1

Accessories

Commercial Art.No.:	Article-type description:	Description:
05.565.9953.1	Cover for male connector SW	RST20i5/4 cover piece, for covering unused male connectors, color black
99.532.0000.7	Cover for male connector SW	RST20i5/4 cover piece, for covering unused male connectors, with fastening belt, color black

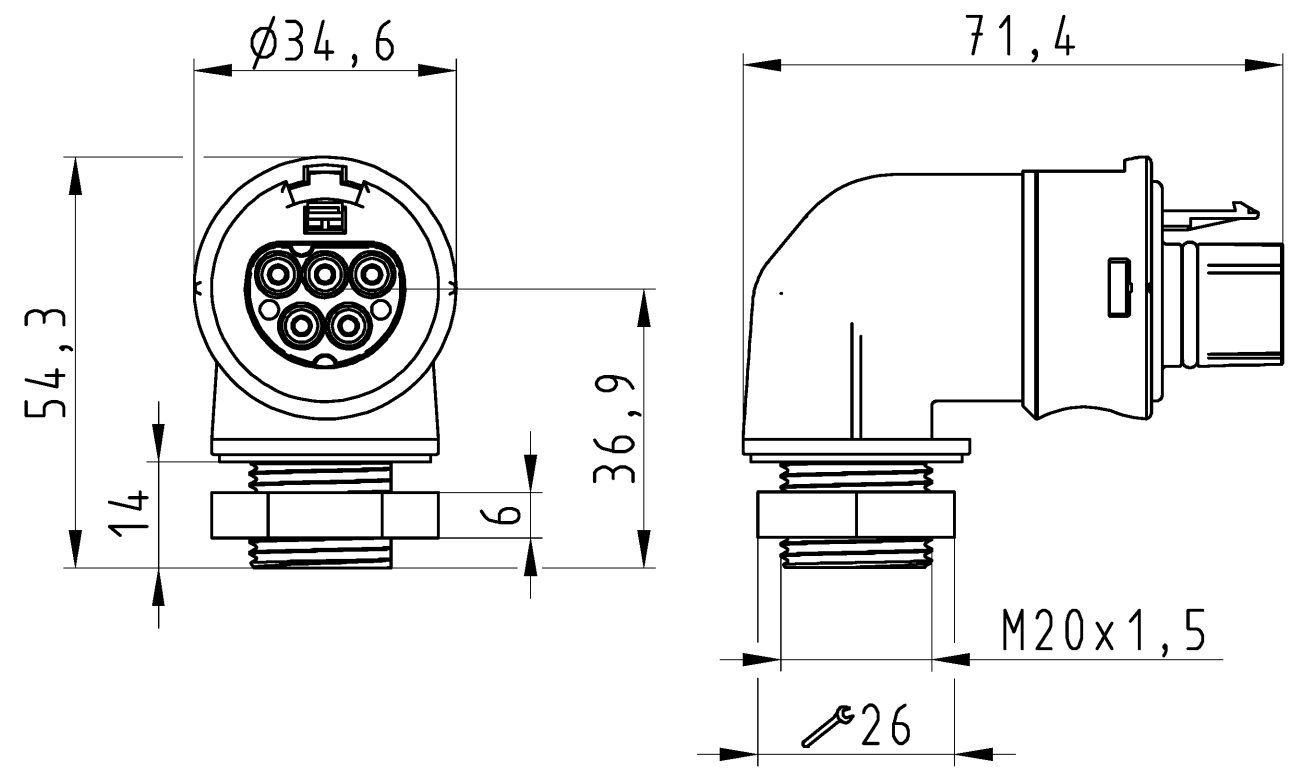
Fits with

Commercial Art.No.:	Article-type description:	Description:
--------------------------------	----------------------------------	---------------------

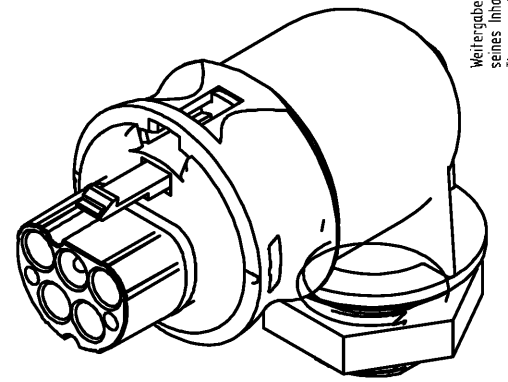
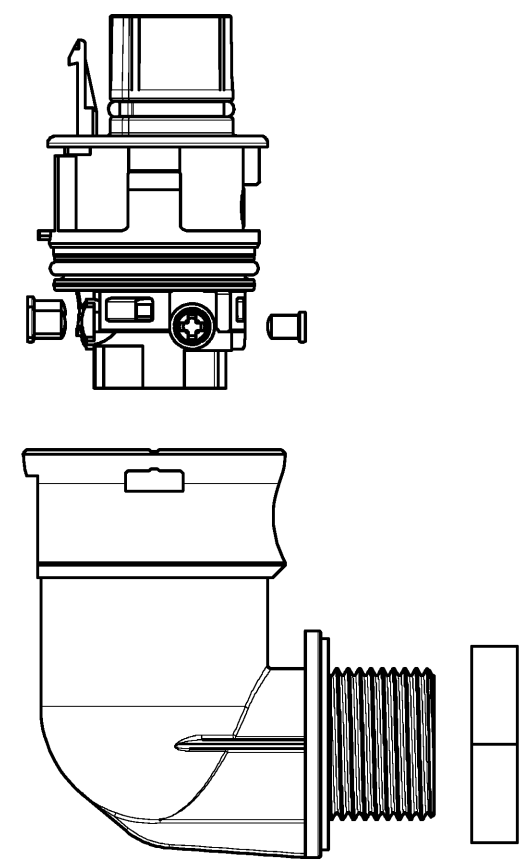
96.051.4053.1	Connector RST20I5S B1 ZR1 SW	RST20i5 connector, 5 pole, female, screw connection, application 250/400V with PE, 20A, for cable diameters 6-10mm, coding color black, color of housing black
96.051.4153.1	Connector RST20I5S B1 ZR2 SW	RST20i5 connector, 5 pole, female, screw connection, application 250/400V with PE, 20A, for cable diameters 10-14mm, coding color black, color of housing black
96.051.4553.1	Connector RST20I5S B1 ZR3 SW	RST20i5 connector, 5 pole, female, screw connection, application 250/400V with PE, 20A, for cable diameters 14-18mm, coding color black, color of housing black
96.053.4053.1	Connector RST20I5S B1 YR1 SW	RST20i5 connector (90° angled), 5 pole, female, screw connection, application 250/400V with PE, 20A, for cable diameters 6-10mm, coding color black, color of housing black
96.053.4153.1	Connector RST20I5S B1 YR2 SW	RST20i5 connector (90° angled), 5 pole, female, screw connection, application 250/400V with PE, 20A, for cable diameters 10-14mm, coding color black, color of housing black
96.051.4253.1	Connector RST20I5S B1 ZRX SW	RST20i5 splitter connector, 5 pole, female, screw connection, application 250/400V with PE, 20A, for cable diameters 6-10mm, coding color black, color of housing black
96.051.4353.1	Connector RST20I5S B1 ZRY SW	RST20i5 splitter connector, 5 pole, female, screw connection, application 250/400V with PE, 20A, for cable diameters 10-14mm, coding color black, color of housing black

These dimensions will be especially checked at delivery
 Only inspection dimensions
 With /E marked dimensions are only valid for internal use

Diese Maße werden bei Abnahme besonders geprüft
 Ausschließlich Prüfmaße
 Mit /E gekennzeichnete Maße sind nur für interne Zwecke gültig



Auslieferungszustand
 delivery status



Verpackungseinheit: je 100 Stück
 packaging unit: per 100

96.054.6053.1	RST2015S S1 M90V SW	schwarz /black
96.054.6053.0	RST2015S S1 M90V GL	lichtgrau /lightgrey
Bestellnummer /Order number	Typ /Type	Farbe /color
Weitere Daten siehe KATALOG oder eKatalog. Additional data see CATALOG or eCatalog.		www.wieland-electric.com eshop.wieland-electric.com

Weitergabe sowie Vervielfältigung dieses Dokuments, Verwertung und Mitteilung seines Inhalts sind verboten, soweit nicht ausdrücklich gestattet. Die Reproduktion, Distribution und Nutzung dieses Dokuments sowie die Kommunikation der Inhalte an Dritte ohne schriftliche Genehmigung ist ausdrücklich untersagt.

Öffnungsmassbild siehe 96.031.2053.1 14K
 opening dimension see 96.031.2053.1 14K

Tolerierung Size ISO 14405(®)/Tolerance system Size ISO 14405(®). (This ISO-standard describes the envelope principle. According to the envelope principle the deviations of form and parallelism are limited by the size tolerances).		ja/yes <input checked="" type="checkbox"/> Stoffverbots- und Deklarationsliste nach WN 5020.010 ist einzuhalten. Conformity with Wieland document WN 5020.010 e (list of prohibited / declarable hazardous substances) to be declared!	
Freitoleranz nach General tolerance	CAD - Zeichnung, keine manuellen Änderungen CAD - drawing, no manual modifications allowed	1.Verwendung: First Use:	Blatt: 1 von 1 Sheet: of 1
	Werkstoff/Material	2015 Tag/Date	Name
	Maßstab/Scale	gezeichnet/drawn	30.07. HoffmannT
	1:1	geprüft/checked	-
	Vol. mm³	Normgepr. Stand. check	-
	Of l./Surf. mm²	Ersatz für/Replacement for: -	
	www.wieland-electric.com	Type	Benennung/Title
Index	Datum / Blatt Date / Sheet	STECKERTEIL_90GRAD male connector	
Änderung/Revision			