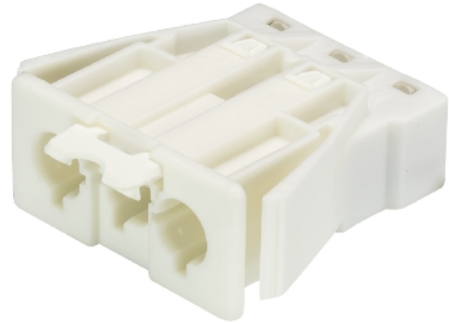


## Data sheet

Commercial Art.No.: 92.032.9658.0

Device connector GST18I3F S2 R V WS

Device connectors, snap-in panel mount, GST18I3, 3 pole, male, spring clamp connection, 250 V, 20 A, material thickness 0,5 - 1,5 mm, colour of coding: white



Commercial Art.No.	92.032.9658.0
EAN	4015573398870
Order Unit	1

Certificates / Approvals



## Technical data

### General

Rated current	20 A
Rated voltage	250 V
Pollution degree	2
Mechanical coding	Code 1
Rated impulse voltage	4 kV
Lockable	self-locking (unlocking by tool)
Color of coding/ contact carrier	white
Marking of poles	L, N, PE

### Connection Data

Connection cross section solid mm <sup>2</sup> max.	2.5 mm <sup>2</sup>
Connection cross section solid mm <sup>2</sup> min.	0.5 mm <sup>2</sup>
Connection cross section fine stranded mm <sup>2</sup> max.	1.5 mm <sup>2</sup>
Connection cross section fine stranded mm <sup>2</sup> min.	0.5 mm <sup>2</sup>
Terminations per pole	2
Wire strip length	9 mm

### Model

Model	male
Connection type	spring clamp connection
Angle of plug	straight
Degree of protection (IP)	IP20
Remark to type of connection	Fine stranded and stranded conductors require cable end sleeve
Thickness of housings (electrical device) 2	0.5 mm
Thickness of housings (electrical device)	1.5 mm

built-in component	snap-in
--------------------	---------

### Material

Housing material	Polyamide
halogen free	yes
Contact material	CuZn
Fire load	0.065 kWh
Insulation components continuous temperature	100 °C
Surface finish	Tin-plated

### Dimensions

Length	37.5 mm
Width	32.8 mm
Height	17.5 mm

### Classification

ECLASS 11	
ECLASS 8.1	27440602
ETIM 7.0	EC002566
ETIM 6.0	EC002566
ETIM 5.0	EC002566
ETIM 4.0	EC002566

### Product compliance

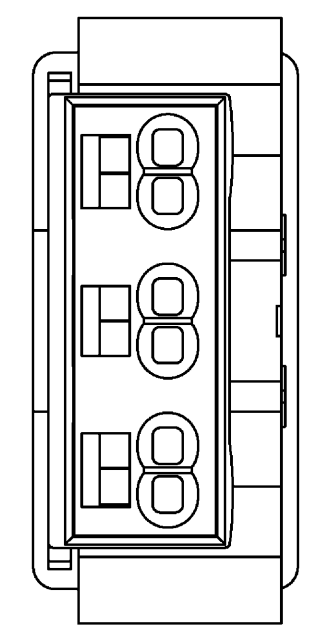
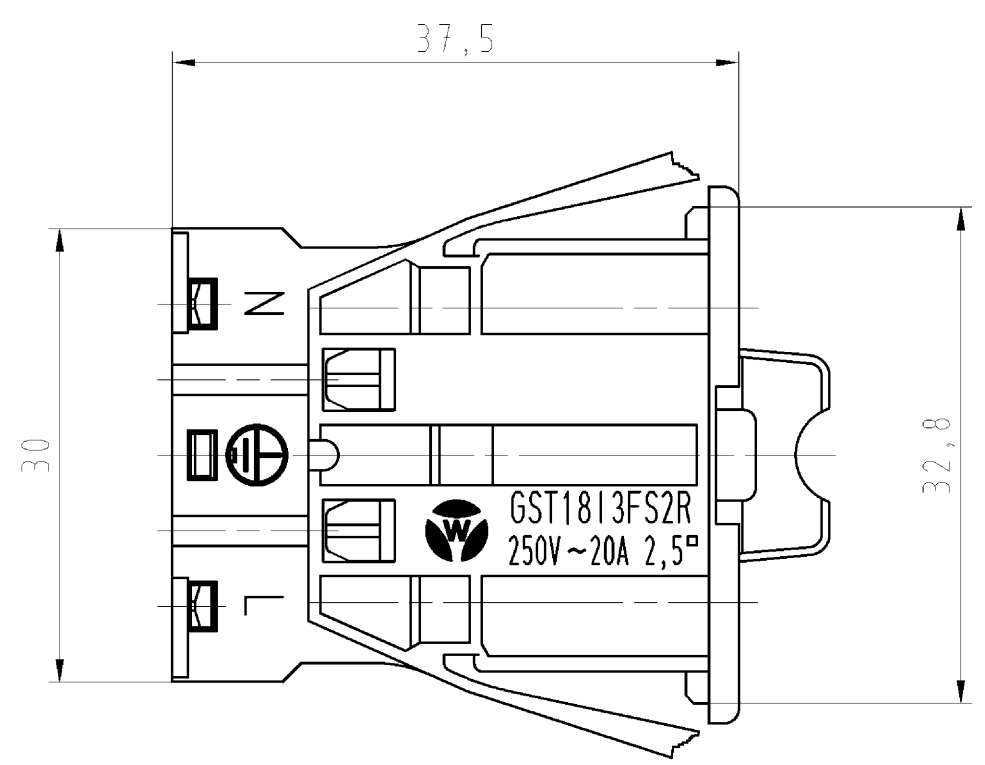
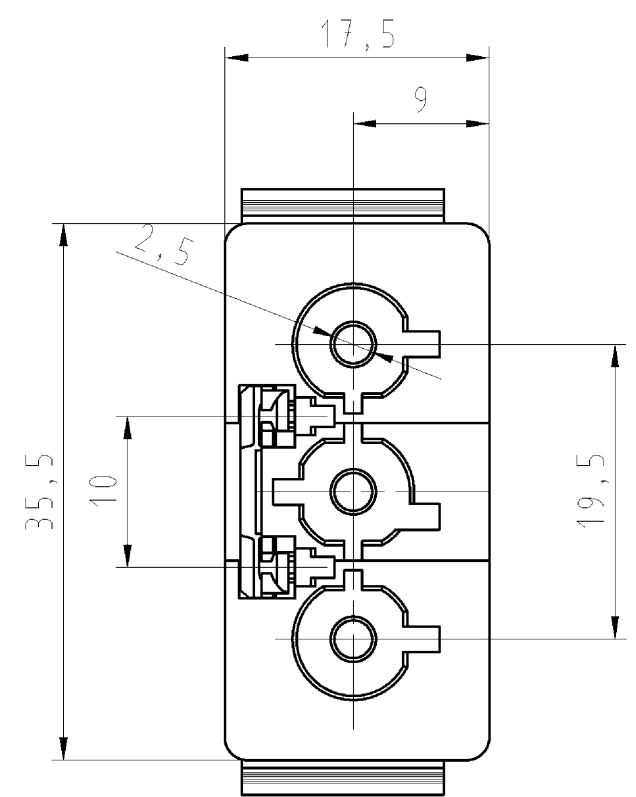
ROHS conformity status	Compliant/Exempted
ROHS exceptions	III-6(c)
REACH-SVHC conformity status	Duty-To-Declare
REACH-SVHC substances	Lead
REACH-SVHC CAS numbers	7439-92-1

### Accessories

Commercial Art.No.:	Article-type description:	Description:
05.595.1453.0	Lock (G)ST18V SW	Locking device for snap-in panel mount GST18i3-5, retrofit part, black
05.595.1453.2	Lock (G)ST18V WS	Locking device for snap-in panel mount GST18i3-5, retrofit part, white
05.561.3653.0	cover cap GST18i3VS B WS	Cover piece for female GST18i3, white
05.561.3653.1	cover cap GST18i3VS B SW	Cover piece for female GST18i3, black
05.564.5353.0	cover cap GST18i3/4/5 SW	Cover piece 12 pole black for female parts GST18i3-6
05.564.5353.2	cover cap GST18i3/4/5 WS	Cover piece 12 pole white for female parts GST18i3-6
05.594.4250.0	cover cap ST18/3B + GST18i3 ST WS	
05.594.4253.0	cover cap ST18/3B + GST18i3 ST SW	
07.425.8753.0	Cover GST18i3 WS	Cover to close unused openings for GST18i3 panel mounts. Cover: white
07.425.8753.1	Cover GST18i3 SW	Cover to close unused openings for GST18i3 panel mounts. Cover: black

These dimensions will be especially checked at delivery  
 Only inspection dimensions  
 With /E marked dimensions are only valid for internal use

Diese Maße werden bei Abnahme besonders geprüft  
 Ausschließliche Prüfmaße  
 Mit /E gekennzeichnete Maße sind nur für interne Zwecke gültig

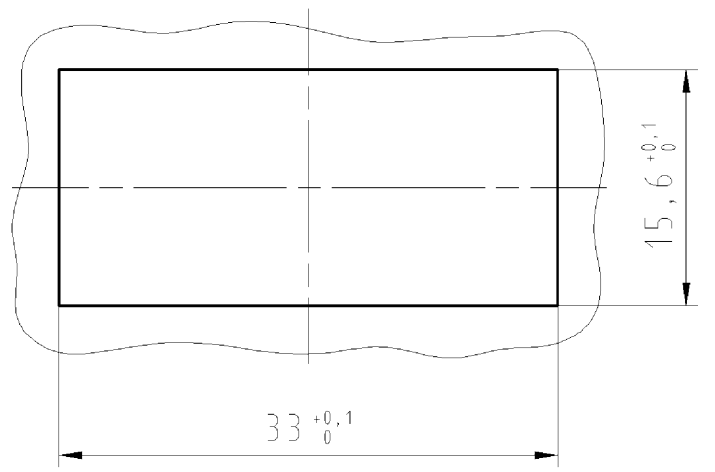


**Gehäuseausschnitt**

Blechdicke 0,5 - 1,5 mm

**Section of housing**

Material thickness 0,5 - 1,5 mm



Weitere Daten siehe Katalog  
 further data see catalog

Teile - Nr. <i>part - no.</i>	Farbe <i>colour</i>	Typ <i>type</i>
92.032.9658.0	weiß/ white	GST1813F S2 R V WS
92.032.9658.1	schwarz/ black	GST1813F S2 R V SW

Tolerierung Size ISO 14405/Tolerance system Size ISO 14405.  
 (This ISO-standard describes the envelope principle. According to the envelope principle the deviations of form and parallelism are limited by the size tolerances).

ja/yes  Stoffverbots- und Deklarationsliste nach UU-TOM-05/03 ist einzuhalten.  
 Conformity with Wieland document UU-TOM-05/03 (list of prohibited / declarable hazardous substances) to be declared!

Freitoleranz nach General tolerance		CAD - Zeichnung, keine manuellen Änderungen CAD - drawing, no manual modifications allowed		1. Verwendung: First Use:		Blatt: 1 von 1 Sheet: of	
/	/	Werkstoff/Material		2006	Tag/Date	Name	
/	/			gezeichnet drawn	13.03.	Schmitt J.	
/	/	Maßstab/Scale		geprüft checked	-	T	
/	/	2:1		Normgepr. Stand. check	-	92.032.9658.0 01K a	
				Maße in mm/Dimensions are in mm			
/	/	Vol. mm³ Ofl./Surf. mm²		Ersatz für/Replacement for: -			
/	/			Type	Benennung/Titel		
a	01.02.2013/	wieland		male connector			
Index	Datum / Blatt Date / Sheet	Elektrische Verbindungen		STECKERTEIL			
Änderung/Revision				Federkraftanschluss, Snap-in/ spring loaded			
				250V AC, 20A, 2,5qmm			

Weitergabe sowie Vervielfältigung dieses Dokuments, Verwertung und Mitteilung seines Inhalts sind verboten, soweit nicht ausdrücklich gestattet.  
 The reproduction, distribution and utilization of this document as well as the communication of its contents to others without express authorization is prohibited.

920329658001K\_2 CADW3028\_Treschan 2013-02-04T13:48:41 1.000