

PB Series Push Switches

SPECIFICATION

Rating : 0.5A 250V AC.
 1A 125V AC.
 Circuit : SPST.
 Contact resistance : 20mΩ Max.
 Insulation resistance : 100MΩ
 Withstand voltage : 1,500V AC.
 Electrical life : 5,000 Cycles Min.
 Mechanical life : 10,000 Cycles Min.

BUTTON COLOR CHART

COLOR NO.	COLOR	COLOR NO.	COLOR
W	White	G	Gray
B	Black	GN	Green
R	Red (Std.)	BU	Blue
O	Orange	BR	Brown
Y	Yellow		



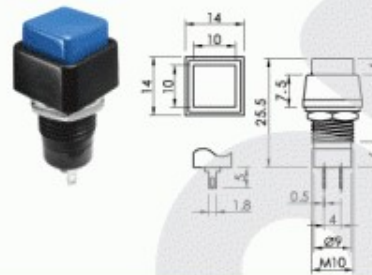
MODEL NO.	TYPE
PB-05A	OFF ON
PB-06B	OFF (ON)



MODEL NO.	TYPE
SPB-11A	OFF ON
SPB-11B	OFF (ON)



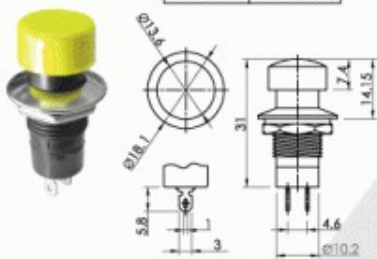
MODEL NO.	TYPE
SPB-14A	OFF ON
SPB-14B	OFF (ON)



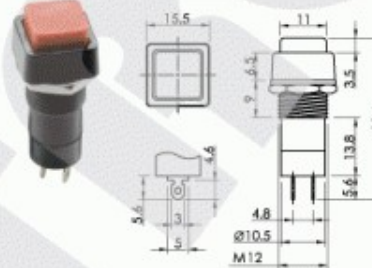
MODEL NO.	TYPE
SPB-10A	OFF ON
SPB-10B	OFF (ON)



MODEL NO.	TYPE
PB-11A	OFF ON
PB-11B	OFF (ON)
PB-11C	ON (OFF)



MODEL NO.	TYPE
PB-14A	OFF ON
PB-14B	OFF (ON)
PB-14C	ON (OFF)



MODEL NO.	TYPE
PB-10A	OFF ON
PB-10B	OFF (ON)



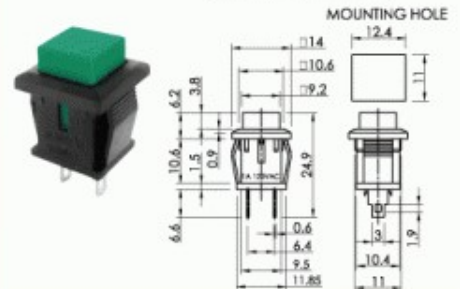
MODEL NO.	TYPE
PB-18A	OFF ON
PB-18B	OFF (ON)



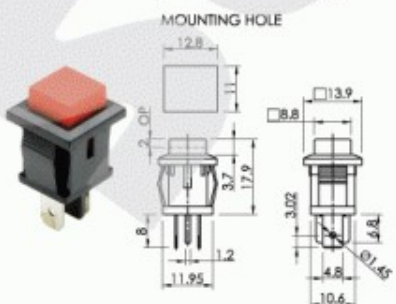
MODEL NO.	TYPE
PB-13A	OFF ON
PB-13B	OFF (ON)



MODEL NO.	TYPE
PB-02	OFF (ON)
PB-02F	ON (OFF)

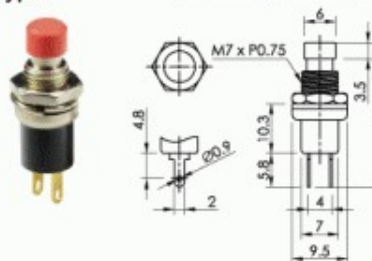


MODEL NO.	TYPE
PB-02T	OFF (ON)



N.O
Type

MODEL NO.	TYPE
PB-05-7	OFF (ON)
PB-05A-7	OFF ON LOCK



N.C
Type

MODEL NO.	TYPE
PB-05-8F	ON (OFF)

