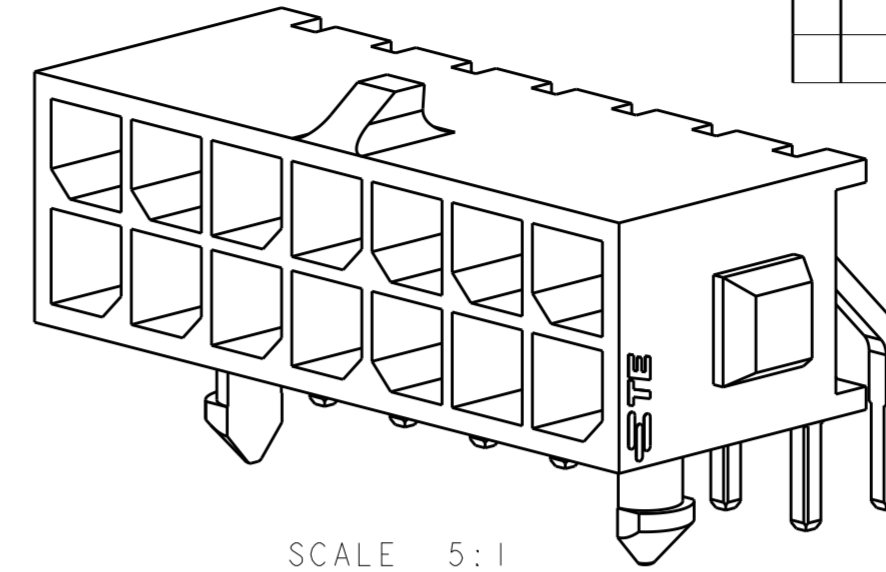
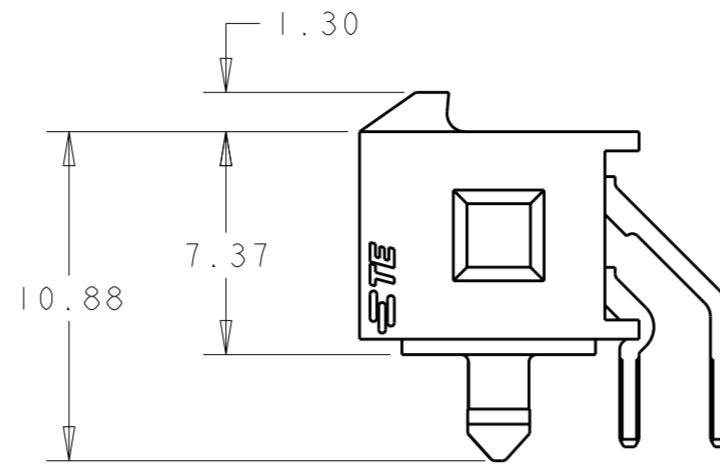
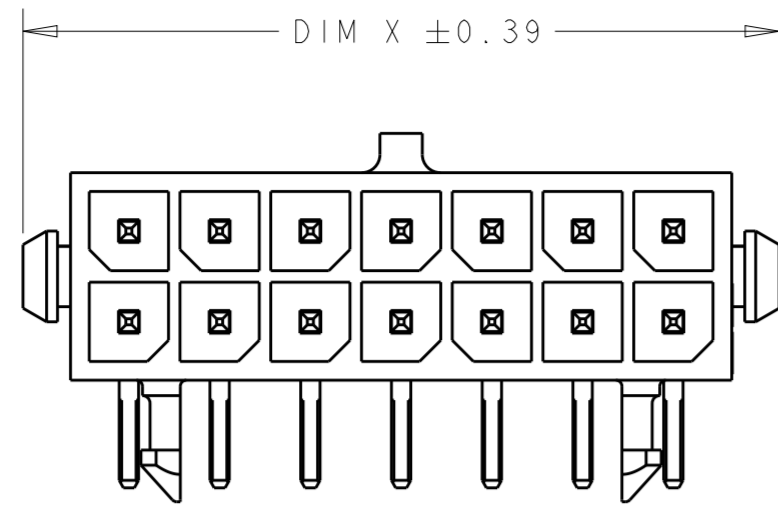
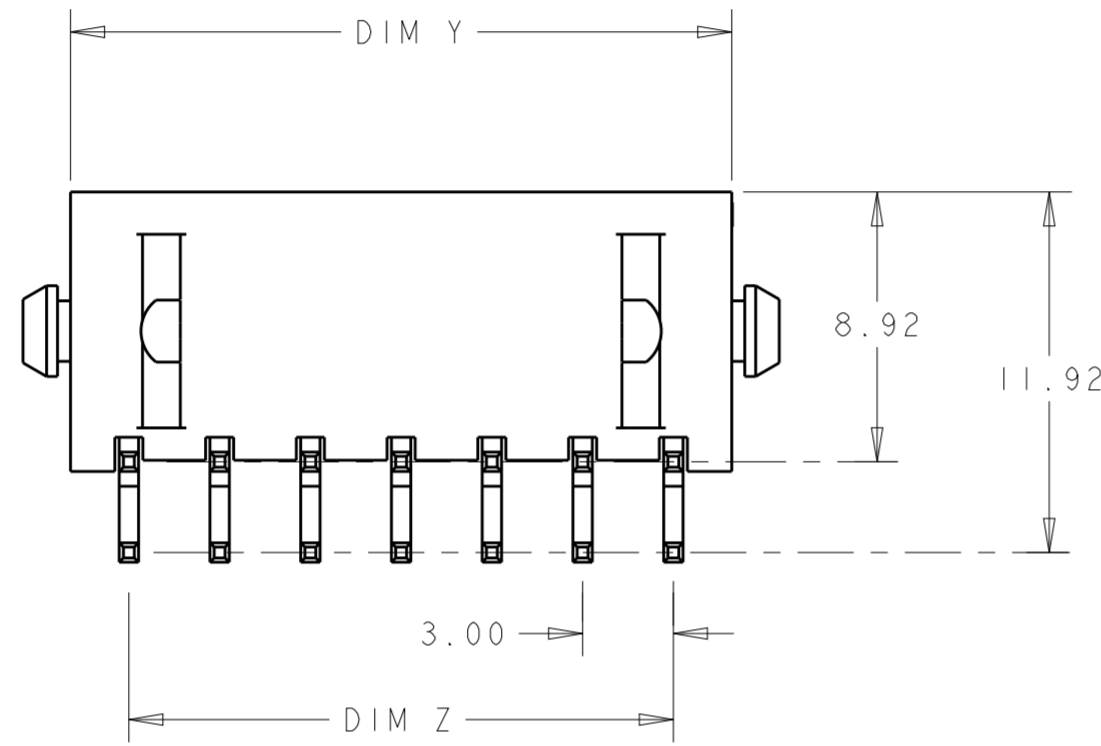


THIS DRAWING IS UNPUBLISHED. RELEASED FOR PUBLICATION 20  
 © COPYRIGHT 20 ALL RIGHTS RESERVED.

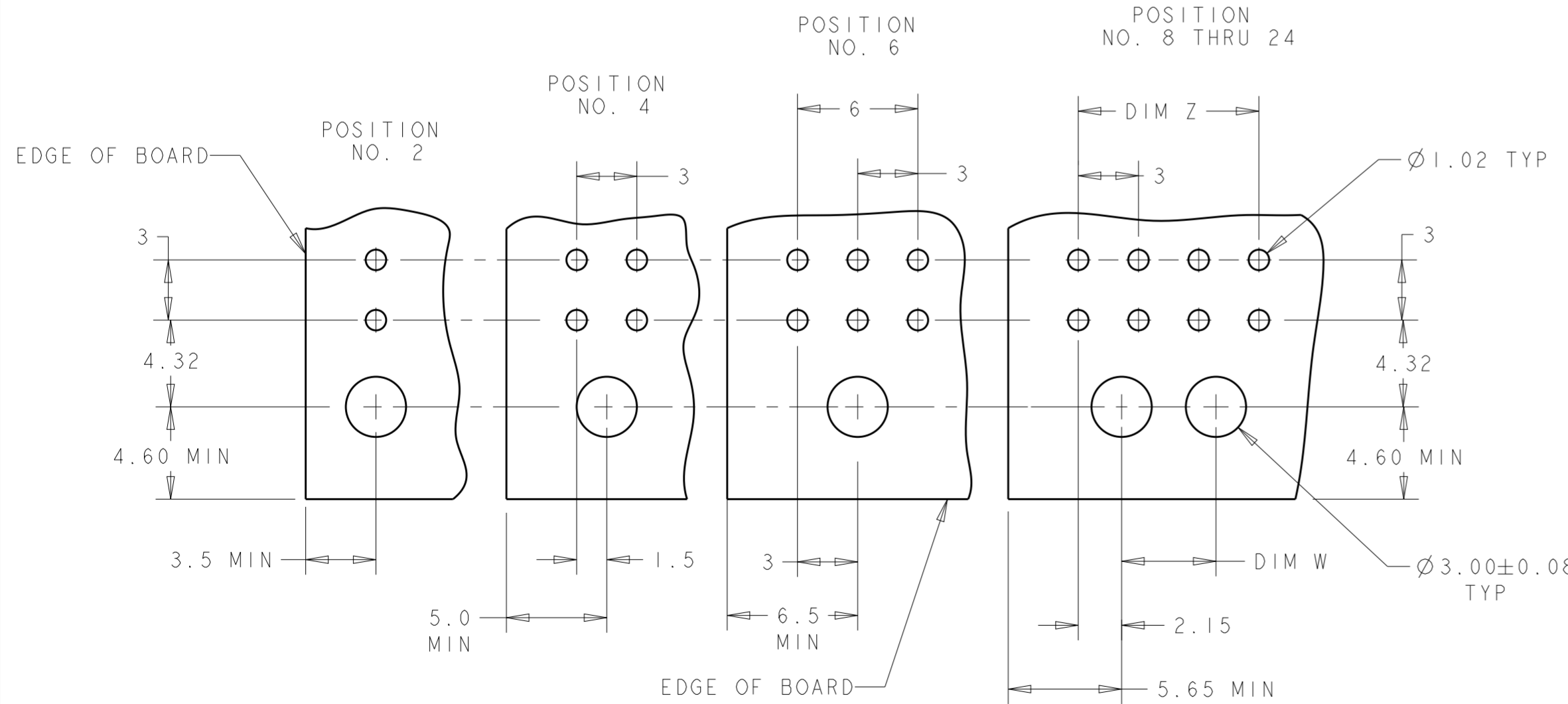
REVISIONS					
P	LTR	DESCRIPTION	DATE	DWN	APVD
	F2	REVISED PER ECR-17-015686	24OCT2017	JB	DZ



SCALE 5:1



- 1 MATERIAL;  
CONTACTS - BRASS.  
HOUSING - UL 94V-0 RATED HIGH TEMP NYLON, COLOR; BLACK.
- 2 FINISH;  
CONTACTS - 2.54µm MINIMUM TIN-LEAD OVER 1.27µm MINIMUM NICKEL.
- 4 RECOMMENDED PCB BOARD THICKNESS OF 1.57.
- 5 FINISH;  
CONTACTS - 2.54µm MINIMUM MATTE TIN OVER 1.27µm MINIMUM NICKEL.



RECOMMENDED PCB LAYOUT 4  
(COMPONENT SIDE)

FINISH	DIM Y	DIM W	DIM Z	DIM X	NO. OF POSN.	PART NUMBER
5	36.86	28.70	33.00	40.00	24	5-794618-4
5	33.86	25.70	30.00	37.00	22	5-794618-2
5	30.86	22.70	27.00	34.00	20	5-794618-0
5	27.86	19.70	24.00	31.00	18	4-794618-8
5	24.86	16.70	21.00	28.00	16	4-794618-6
5	21.86	13.70	18.00	25.00	14	4-794618-4
5	18.86	10.70	15.00	22.00	12	4-794618-2
5	15.86	7.70	12.00	19.00	10	4-794618-0
5	12.86	4.70	9.00	16.00	8	3-794618-8
5	9.86	-	6.00	13.00	6	3-794618-6
5	6.86	-	3.00	10.00	4	3-794618-4
5	3.86	-	-	7.00	2	3-794618-2
2	36.86	28.70	33.00	40.00	24	2-794618-4
2	33.86	25.70	30.00	37.00	22	2-794618-2
2	30.86	22.70	27.00	34.00	20	2-794618-0
2	27.86	19.70	24.00	31.00	18	+794618-8
2	24.86	16.70	21.00	28.00	16	+794618-6
2	21.86	13.70	18.00	25.00	14	+794618-4
2	18.86	10.70	15.00	22.00	12	+794618-2
2	15.86	7.70	12.00	19.00	10	+794618-0
2	12.86	4.70	9.00	16.00	8	-794618-8
2	9.86	-	6.00	13.00	6	-794618-6
2	6.86	-	3.00	10.00	4	-794618-4
2	3.86	-	-	7.00	2	-794618-2

THIS DRAWING IS A CONTROLLED DOCUMENT.		DWN B. HAYMAKER 12AUG99
DIMENSIONS: mm		CHK K. COBLE 12AUG99
TOLERANCES UNLESS OTHERWISE SPECIFIED:		APVD K. COBLE 12AUG99
0 PLC	±	PRODUCT SPEC
1 PLC	±	APPLICATION SPEC
2 PLC	±0.13	
3 PLC	±	
4 PLC	±	
ANGLES	±	
FINISH	SEE TABLE	
MATERIAL	1	

STE TE Connectivity		NAME	THRU-HOLE, R/A, TIN HEADER, PLASTIC BOARDLOCK, DUAL ROW, MICRO MATE-N-LOK™
SIZE	A2	CAGE CODE	0779
DRAWING NO	G-794618		RESTRICTED TO
SCALE	4:1	SHEET	1 OF 1
CUSTOMER DRAWING		REV	F2