

VECO VANSONIC ENTERPRISE CO., LTD.

8F., No.7, Lane 16, Sec.2, Szechwan Road, Panchiao, Taipei Hsien, TAIWAN.

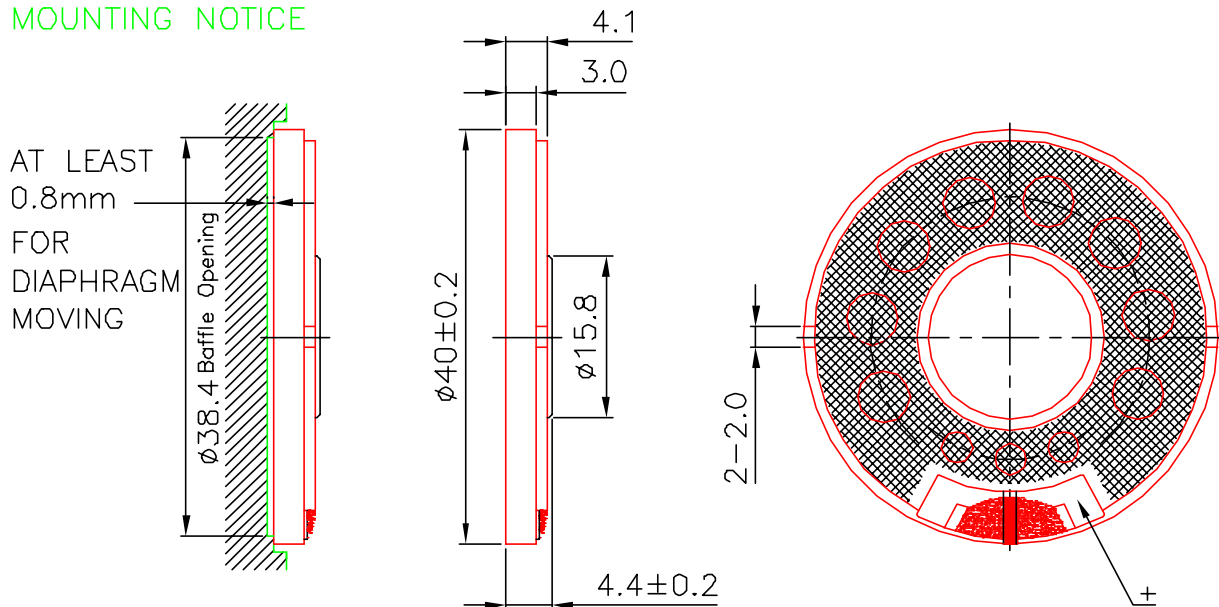
TEL: +886-2-29626335

FAX: +886-2-29625220

E-MAIL: VANSONIC@MS4.HINET.NET

1.	MODEL:	40DS08G -M75NT(Clear Mylar)-M75ND(Black Mylar)			
2.	Dimension	Outer Diameter	40 mm.	Baffle Opening	38.4 mm.
		Height	Refer to Drawing.	Weight	6.8 Grams.
3.	Magnet	Materials	Rare Earth	Size	∅ 12.5x1.5 mm.
4.	Nominal Impedance	8	± 15 %	At	1000 Hz.
5.	Power Rating	Normal	300 mW.	Maximum	600 mW.
6.	Lowest Resonant Frequency	420	± 20 %		Hz.
7.	Output Sound Pressure Level (S.P.L.)	84	± 3 db / 0.3 Watt	. 0.5 Meter.	
		Average at	800,	1000,	1200,
8.	Frequency Range	300	~ 5000	Hz.	Average SPL - 10 db.
9.	Distortion	5 %	Maximum At	1000 Hz.	300 mW.
10.	Abnormal Sound Test	Must be Normal Tested By		1.6 Volts.	Sine Wave.
11.	Load Test	White Noise with Weighted Filter		1.6 Volts.(RMS)	24Hrs.
12.	Polarity	Diaphragm shall move Forward when Apply a Positive DC.			
		Current to the "+" or "Marked" Terminal.			

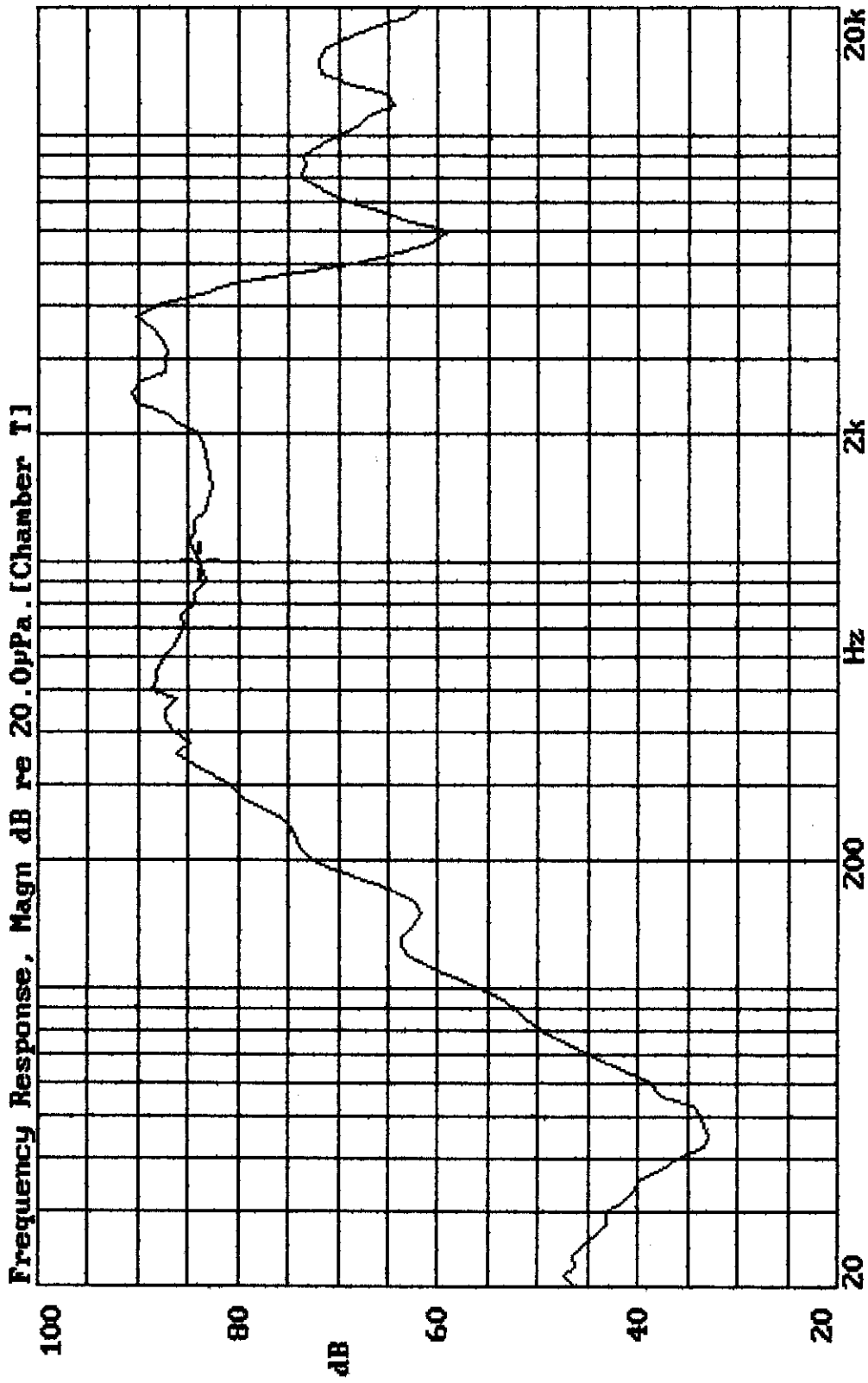
MOUNTING NOTICE



Unit : mm

Housing Material : ABS

40DS08G-M75ND Vol:1.549V(0.3M) Dis:0.5M VANSONIC
X:1.0000kHz *Y:83.87dB ZA:Live Curve SSR Fund.



07-APR-1997 19:07:40

Mode: SPEAKER

