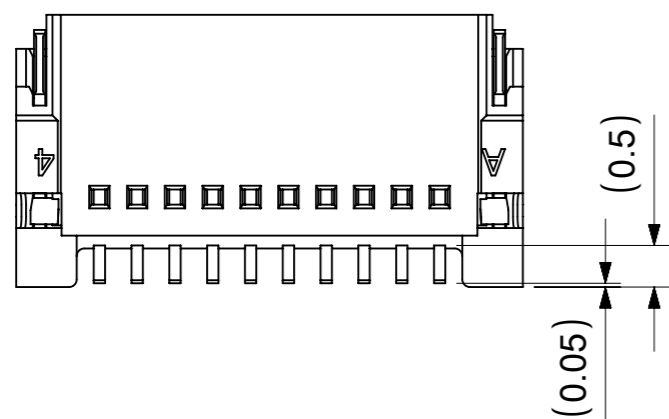
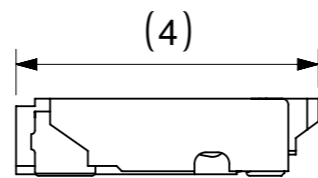
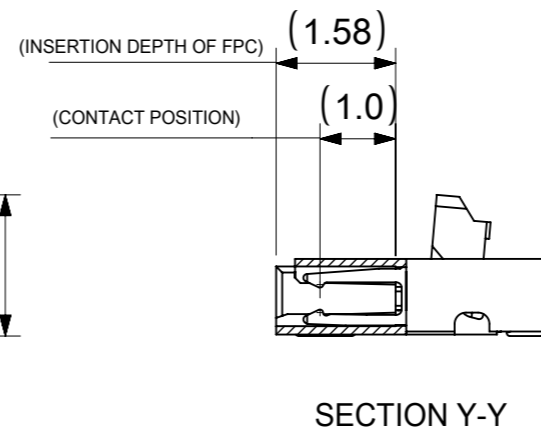
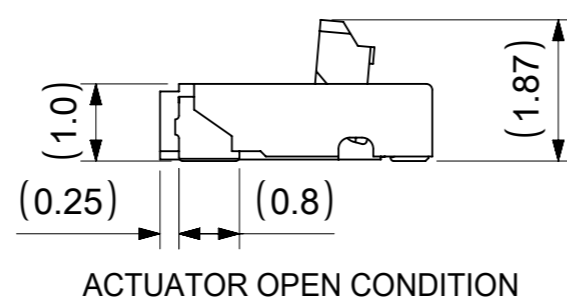
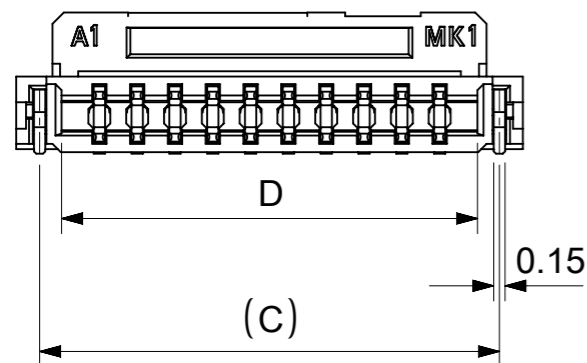


METAL MASK THICKNESS : 0.1mm
 OPENING AREA : TERM.(0.7X0.3)
 NAIL(1.0X0.3)



| | | | | | |
|------|-------|------|------|----------------------------|---------|
| 20.5 | 21.08 | 19.5 | 21.7 | 503480-4000 | 40 |
| 19.5 | 20.08 | 18.5 | 20.7 | 503480-3800 | 38 |
| 18.5 | 19.08 | 17.5 | 19.7 | 503480-3600 | 36 |
| 17.5 | 18.08 | 16.5 | 18.7 | 503480-3400 | 34 |
| 16.5 | 17.08 | 15.5 | 17.7 | 503480-3200 | 32 |
| 15.5 | 16.08 | 14.5 | 16.7 | 503480-3000 | 30 |
| 14.5 | 15.08 | 13.5 | 15.7 | 503480-2800 | 28 |
| 13.5 | 14.08 | 12.5 | 14.7 | 503480-2600 | 26 |
| 12.5 | 13.08 | 11.5 | 13.7 | 503480-2400 | 24 |
| 11.5 | 12.08 | 10.5 | 12.7 | 503480-2200 | 22 |
| 10.5 | 11.08 | 9.5 | 11.7 | 503480-2000 | 20 |
| 9.5 | 10.08 | 8.5 | 10.7 | 503480-1800 | 18 |
| 9.0 | 9.58 | 8.0 | 10.2 | 503480-1700 | 17 |
| 8.5 | 9.08 | 7.5 | 9.7 | 503480-1600 | 16 |
| 7.5 | 8.08 | 6.5 | 8.7 | 503480-1400 | 14 |
| 6.5 | 7.08 | 5.5 | 7.7 | 503480-1200 | 12 |
| 5.5 | 6.08 | 4.5 | 6.7 | 503480-1000 | 10 |
| 4.5 | 5.08 | 3.5 | 5.7 | 503480-0800 | 8 |
| 3.5 | 4.08 | 2.5 | 4.7 | 503480-0600 | 6 |
| 3.0 | 3.58 | 2.0 | 4.2 | 503480-0500 | 5 |
| 2.5 | 3.08 | 1.5 | 3.7 | 503480-0400 | 4 |
| D | C | B | A | EMBOSSED PACKAGE ORDER NO. | CIRCUIT |

CONNECTOR SERIES No. 503480-**09

| | | | | | | |
|--|--|--|--|--|----------------------------|------------------------|
| FUNCTIONAL SYMBOLS FA = 0 FE = 0 FE/P = 0 | THIS DRAWING CONTAINS INFORMATION THAT IS PROPRIETARY TO MOLEX ELECTRONIC TECHNOLOGIES, LLC AND SHOULD NOT BE USED WITHOUT WRITTEN PERMISSION | SCALE 10:1 | CURRENT REV DESC: | | | |
| | GENERAL TOLERANCES (UNLESS SPECIFIED) ANGULAR TOL ± 1.0° 4 PLACES ± 0.2 3 PLACES ± 0.2 2 PLACES ± 0.2 1 PLACE ± 0.2 0 PLACES ± 0.2 | EC NO: 676145 DRWN: ICYANG CHK'D: SHCHU APPR: SHCHU | 2021/07/21 2021/09/02 2021/09/02 | <p>0.5 FPC CONN. E/O BACKFLIP H=1.0MM ASSEMBLY</p> <p>PRODUCT CUSTOMER DRAWING</p> | | |
| DIVISIONAL SYMBOLS | INITIAL REVISION: DRWN: THIRAYAMA APPR: KMORIKAWA | 2009/12/11 2009/12/14 | DOCUMENT NUMBER SD-503480-001 | | | |
| DRAFT WHERE APPLICABLE MUST REMAIN WITHIN DIMENSIONS | THIRD ANGLE PROJECTION | DRAWING A3-SIZE | SERIES 503480 | MATERIAL NUMBER SEE TABLE | CUSTOMER GENERAL MARKET | SHEET NUMBER 1 OF 2 |

NOTES

1. PART COMPOSITION

HOUSING MATERIAL: LIQUID CRYSTAL POLYMER(LCP), GLASS FILLED, UL94V-0, NATURAL(WHITE)

TERMINAL MATERIAL: PHOSPHOR BRONZE

CONTACT AREA : SEPARATED GOLD PLATING (0.1 MICROMETER MINIMUM)

SOLDER TAIL AREA : SEPARATED GOLD PLATING

UNDERPLATE : NICKEL OVERALL (1.0 MICROMETER MINIMUM)

ACTUATOR MATERIAL : POLYAMIDE(PA), GLASS FILLED, UL94 HB, BLACK

NAIL MATERIAL: PHOSPHOR BRONZE

SOLDER TAIL AREA : TIN OVERALL(1.0 MICROMETER MINIMUM)
UNDERPLATE : NICKEL OVERALL(1.0 MICROMETER MINIMUM)

2 . PLEASE DO NOT OPERATE THE ACTUATOR BEFORE MOUNTING.

3. PLEASE OPERATE THE ACTUATOR AFTER INSERTING THE FPC INTO THE CONNECTOR.

4. ABOUT FPC

RECOMMENDED STIFFENER MATERIAL: POLYIMIDE
RECOMMENDED BASE FILM THICKNESS: 25 MICROMETER
RECOMMENDED ADHESIVE: THERMOSETTING ADHESIVE
NOTE: PLEASE PUT APPROPRIATE AMOUNT OF ADHESIVE ON ADHEREND BECAUSE THERE IS A POSSIBILITY THAT THE EXTRA ADHESIVE CAUSES THE DEFECT IN ELECTRICAL CONTINUITY.

RECOMMENDED PUNCHER DIRECTION:
FROM CONDUCTOR SIDE TO STIFFENER FILM SIDE.
RECOMMENDED CONDUCTOR SPECIFICATION:
THICKNESS OF SOFT COPPER FOIL: 35MICROMETER

5 R0.3 MUST NOT BE OVERLAPPED TO PATTERN OF FPC.

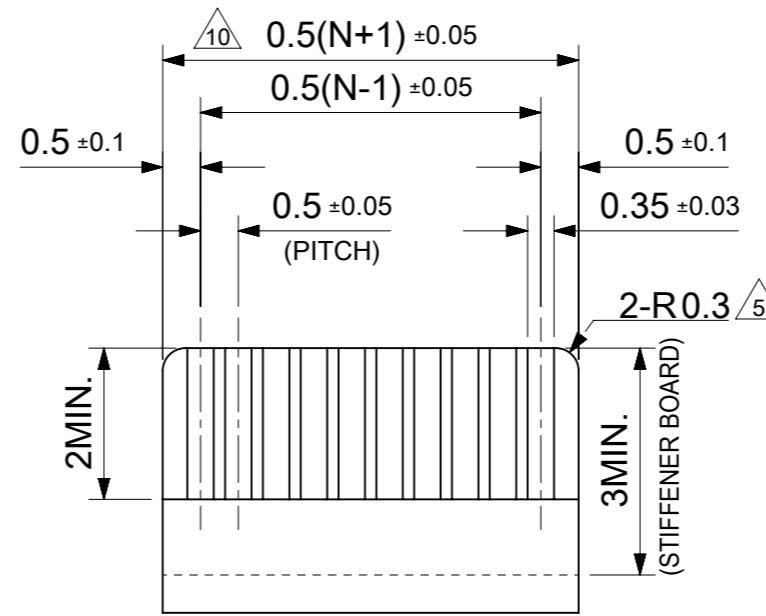
6. COPLANARITY : 0.1 MAXIMUM

7. PLEASE RECOGNIZE A POSSIBILITY TO CHANGE THE SHAPE OF THE PART THAT DOES NOT OBSTRUCT A FUNCTION, BY CIRCUMSTANCES IN OUR PRODUCTION.

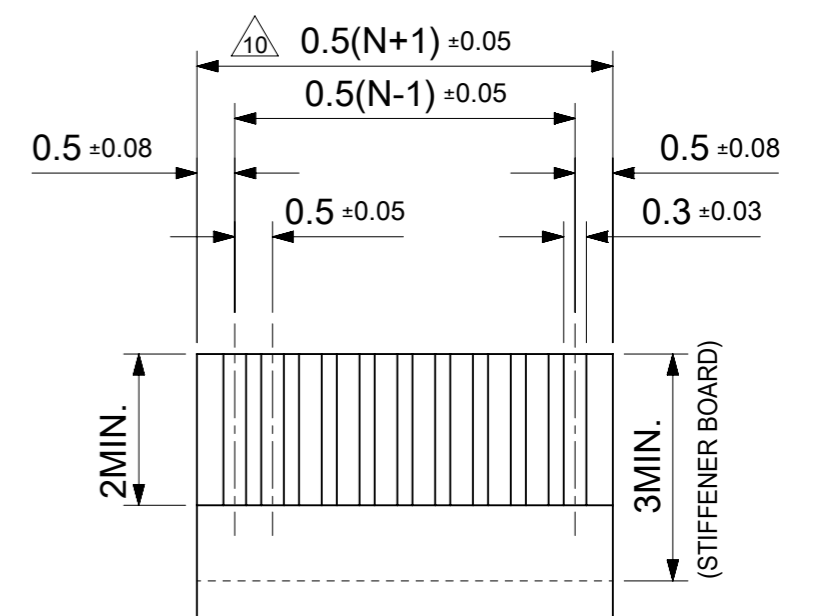
8. THIS PRODUCT IS DELIVERED WITH THE ACTUATOR IN THE OPEN POSITION.

9. THIS PRODUCT IS DUAL-CONTACT (TOP- AND BOTTOM-CONTACTS) TYPE CONNECTOR.

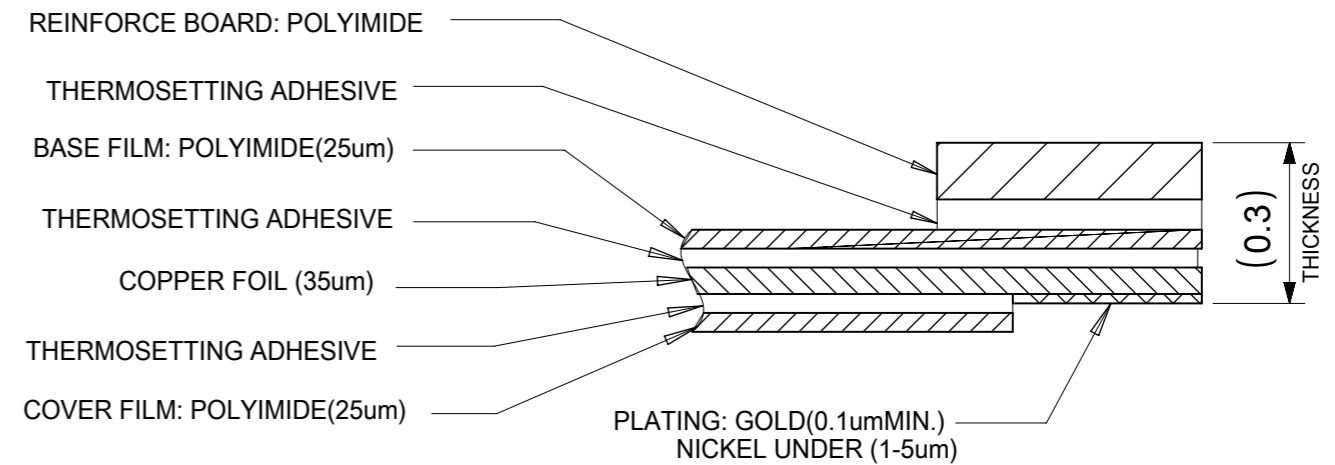
10 PLEASE CONFIRM TO INSERT FPC IN ADVANCE WHEN FPC WIDTH IS OVER $0.5(N+1)+0.02$.



APPLICABLE FPC RECOMMENDED DIMENSION N:CIRCUITS
(THICKNESS : 0.3±0.05) : 30 OR LESS CIRCUITS
(THICKNESS : 0.3±0.03) : 31 OR OVER CIRCUITS

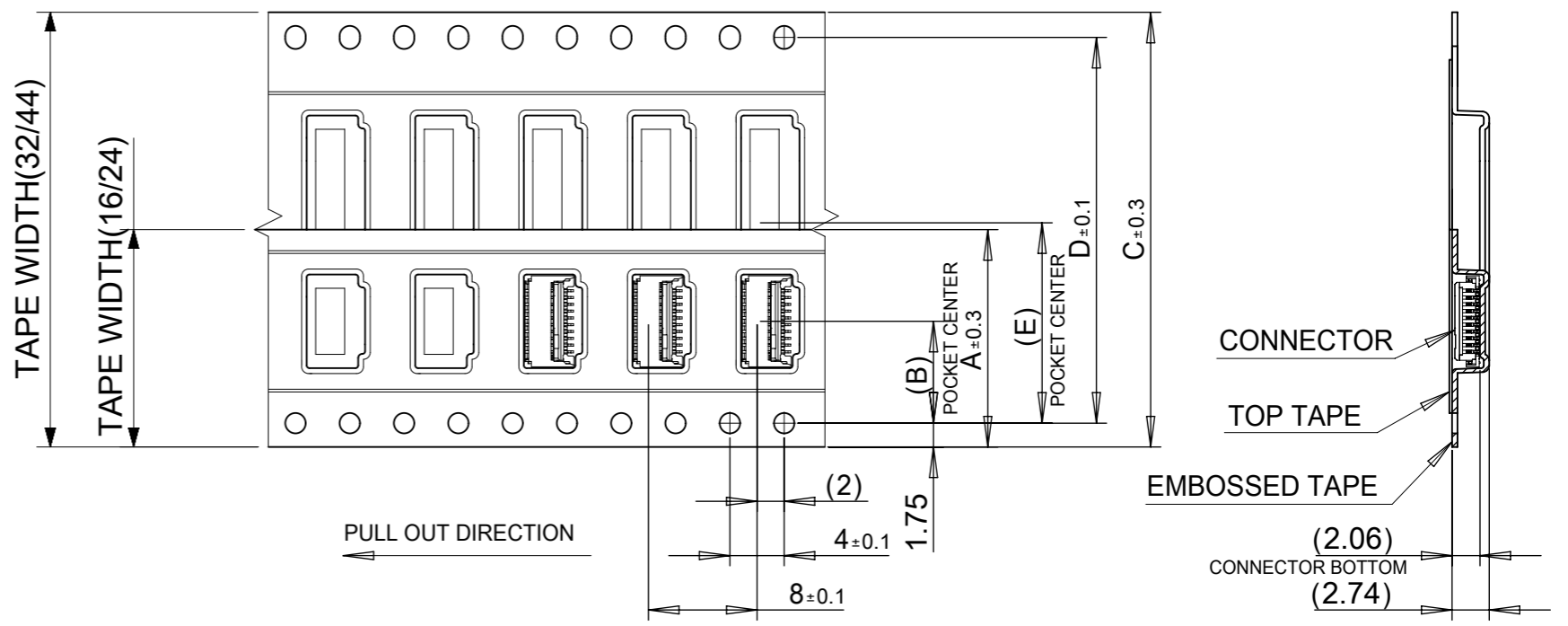
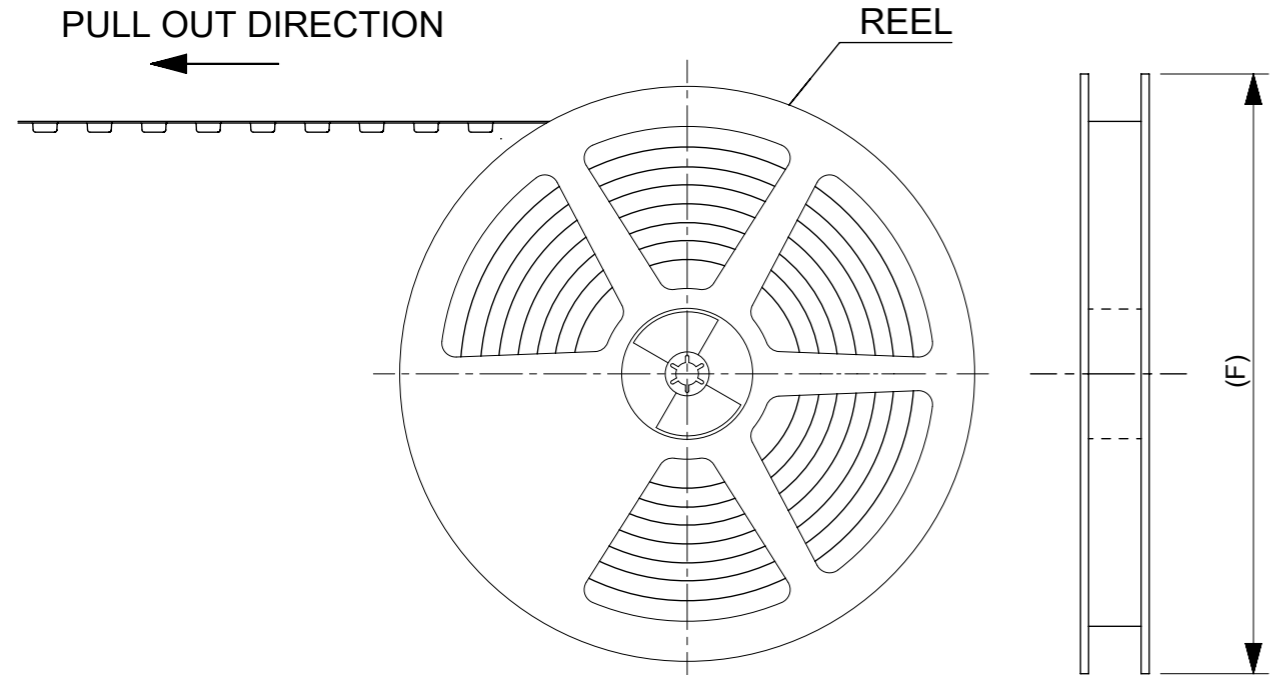


APPLICABLE FFC RECOMMENDED DIMENSION N:CIRCUITS



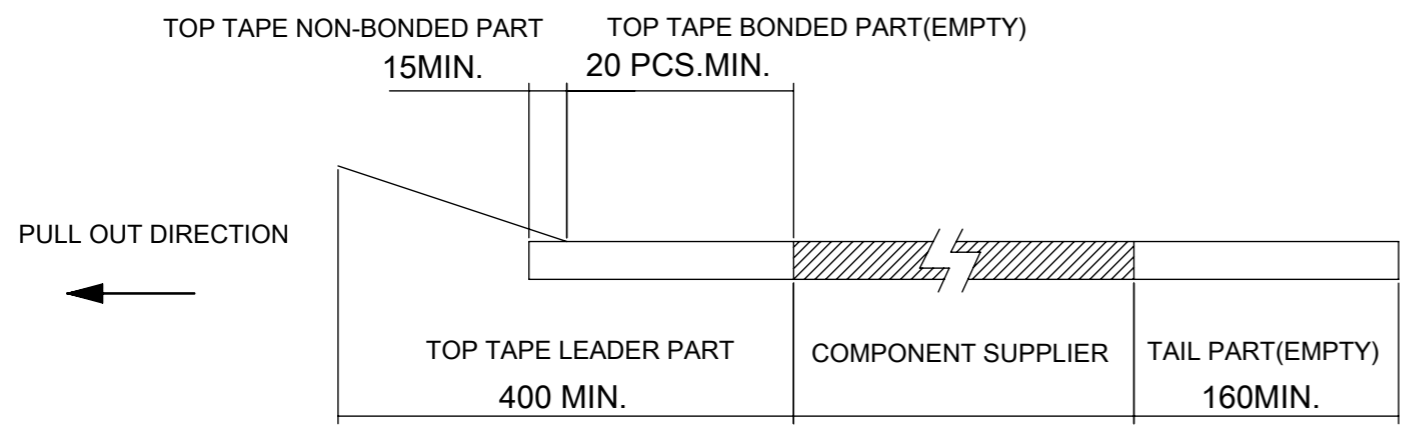
STRUCTURE OF FPC

| FUNCTIONAL SYMBOLS | THIS DRAWING CONTAINS INFORMATION THAT IS PROPRIETARY TO MOLEX ELECTRONIC TECHNOLOGIES, LLC AND SHOULD NOT BE USED WITHOUT WRITTEN PERMISSION | CURRENT REV DESC: | | | | | | | | | | | | | | | | | | | | | | | | | | | | |
|--|--|------------------------|------------------|--|----------------------------|--------------------------|----------------------|-------|----------------|----|------|---------------------------------------|--|--|----------------|--------------------|--|----------------|----------|-------|--------------------|----------|-------|----------|-------|---------|-------|----------|-------|---|
| | <table border="1"> <tr> <th>FUNCTIONAL SYMBOLS</th> <th>DIMENSION UNITS</th> <th>SCALE</th> </tr> <tr> <td>$\nabla_A = 0$</td> <td>mm</td> <td>10:1</td> </tr> <tr> <td colspan="3">GENERAL TOLERANCES (UNLESS SPECIFIED)</td> </tr> <tr> <td>$\nabla_E = 0$</td> <td colspan="2">ANGULAR TOL ± 1.0°</td> </tr> <tr> <td>$\nabla_F = 0$</td> <td>4 PLACES</td> <td>± 0.2</td> </tr> <tr> <td rowspan="4">DIVISIONAL SYMBOLS</td> <td>3 PLACES</td> <td>± 0.2</td> </tr> <tr> <td>2 PLACES</td> <td>± 0.2</td> </tr> <tr> <td>1 PLACE</td> <td>± 0.2</td> </tr> <tr> <td>0 PLACES</td> <td>± 0.2</td> </tr> </table> | FUNCTIONAL SYMBOLS | DIMENSION UNITS | | | | | SCALE | $\nabla_A = 0$ | mm | 10:1 | GENERAL TOLERANCES (UNLESS SPECIFIED) | | | $\nabla_E = 0$ | ANGULAR TOL ± 1.0° | | $\nabla_F = 0$ | 4 PLACES | ± 0.2 | DIVISIONAL SYMBOLS | 3 PLACES | ± 0.2 | 2 PLACES | ± 0.2 | 1 PLACE | ± 0.2 | 0 PLACES | ± 0.2 | EC NO: 676145 DRWN: ICYANG 2021/07/21 CHK'D: SHCHU 2021/09/02 APPR: SHCHU 2021/09/02 |
| FUNCTIONAL SYMBOLS | DIMENSION UNITS | SCALE | | | | | | | | | | | | | | | | | | | | | | | | | | | | |
| $\nabla_A = 0$ | mm | 10:1 | | | | | | | | | | | | | | | | | | | | | | | | | | | | |
| GENERAL TOLERANCES (UNLESS SPECIFIED) | | | | | | | | | | | | | | | | | | | | | | | | | | | | | | |
| $\nabla_E = 0$ | ANGULAR TOL ± 1.0° | | | | | | | | | | | | | | | | | | | | | | | | | | | | | |
| $\nabla_F = 0$ | 4 PLACES | ± 0.2 | | | | | | | | | | | | | | | | | | | | | | | | | | | | |
| DIVISIONAL SYMBOLS | 3 PLACES | ± 0.2 | | | | | | | | | | | | | | | | | | | | | | | | | | | | |
| | 2 PLACES | ± 0.2 | | | | | | | | | | | | | | | | | | | | | | | | | | | | |
| | 1 PLACE | ± 0.2 | | | | | | | | | | | | | | | | | | | | | | | | | | | | |
| | 0 PLACES | ± 0.2 | | | | | | | | | | | | | | | | | | | | | | | | | | | | |
| PRODUCT CUSTOMER DRAWING | | | | DOCUMENT NUMBER: SD-503480-001 DOC TYPE: PSD DOC PART: 001 REVISION: H2 | | | | | | | | | | | | | | | | | | | | | | | | | | |
| DRAFT WHERE APPLICABLE MUST REMAIN WITHIN DIMENSIONS | | THIRD ANGLE PROJECTION | DRAWING: A3-SIZE | SERIES: 503480 | MATERIAL NUMBER: SEE TABLE | CUSTOMER: GENERAL MARKET | SHEET NUMBER: 2 OF 2 | | | | | | | | | | | | | | | | | | | | | | | |



NOTES

1. IN THE PACKAGE, PART NO.503480-**09 DETAILED DIMENSIONS. REFER TO SD-503480-001
2. NUMBER OF CONNECTORS : 3000PCS/REEL
3. LEAD TAPE LENGTH



4. MATERIAL

CARRIER TAPE : PET
 TOP TAPE : PET,OTHER
 REEL : PS (RECYCLE MATERIAL CONTAINED)

5. COVER TAPE PEEL FORCE IS DEFINED BY IEC60286-3.

| F | E | D | C | B | A | TAPE WIDTH | ORDER NO. | CIRCUIT |
|-----|------|------|----|------|----|------------|-------------|---------|
| 380 | 20.2 | 40.4 | 44 | - | - | 44 | 503480-4000 | (E1) 40 |
| | | | | | | | 503480-3800 | (E1) 38 |
| | | | | | | | 503480-3600 | (E1) 36 |
| | | | | | | | 503480-3400 | (E1) 34 |
| 330 | 14.2 | 28.4 | 32 | - | - | 32 | 503480-3200 | 32 |
| | | | | | | | 503480-3000 | (E1) 30 |
| 380 | - | - | - | 11.5 | 24 | 24 | 503480-2800 | (E1) 28 |
| | | | | | | | 503480-2600 | 26 |
| | | | | | | | 503480-2400 | 24 |
| | | | | | | | 503480-2200 | 22 |
| | | | | | | | 503480-2000 | 20 |
| | | | | | | | 503480-1800 | 18 |
| | | | | | | | 503480-1700 | 17 |
| | | | | | | | 503480-1600 | 16 |
| | | | | | | | 503480-1400 | 14 |
| | | | | | | | 503480-1200 | 12 |
| 330 | - | - | - | 7.5 | 16 | 16 | 503480-1000 | 10 |
| | | | | | | | 503480-0800 | 8 |
| | | | | | | | 503480-0600 | 6 |
| | | | | | | | 503480-0500 | 5 |
| | | | | | | | 503480-0400 | 4 |

THIS DRAWING CONTAINS INFORMATION THAT IS PROPRIETARY TO MOLEX ELECTRONIC TECHNOLOGIES, LLC AND SHOULD NOT BE USED WITHOUT WRITTEN PERMISSION

FUNCTIONAL SYMBOLS: $\nabla_A = 0$, $\nabla_E = 0$, $\nabla_F = 0$

DIMENSION UNITS: mm, SCALE: NTS

GENERAL TOLERANCES (UNLESS SPECIFIED): ANGULAR TOL $\pm 3.0^\circ$

DIVISIONAL SYMBOLS: 4 PLACES \pm , 3 PLACES \pm , 2 PLACES \pm , 1 PLACE \pm , 0 PLACES \pm

DRAFT WHERE APPLICABLE MUST REMAIN WITHIN DIMENSIONS

THIRD ANGLE PROJECTION

DRAWING: A3-SIZE, SERIES: 503480

EC NO: 676145, DRWN: ICYANG, 2021/07/21, CHK'D: SHCHU, 2021/09/02, APPR: SHCHU, 2021/09/02

INITIAL REVISION: DRWN: THIRAYAMA, 2009/12/11, APPR: KMORIKAWA, 2009/12/14

CURRENT REV DESC:

molex

0.5 FPC CONN. E/O EMBOSSED TAPE PACKAGE

PRODUCT CUSTOMER DRAWING

DOCUMENT NUMBER: SD-503480-002, DOC TYPE: PSD, DOC PART: 001, REVISION: E2

MATERIAL NUMBER: SEE TABLE, CUSTOMER: GENERAL MARKET, SHEET NUMBER: 1 OF 1

| | |
|------|-------------------------------|
| (E2) | 10 UNDER : ± 0.20 |
| | 10 OVER 30 UNDER : ± 0.25 |
| | 30 OVER : ± 0.30 |