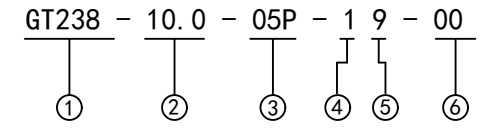


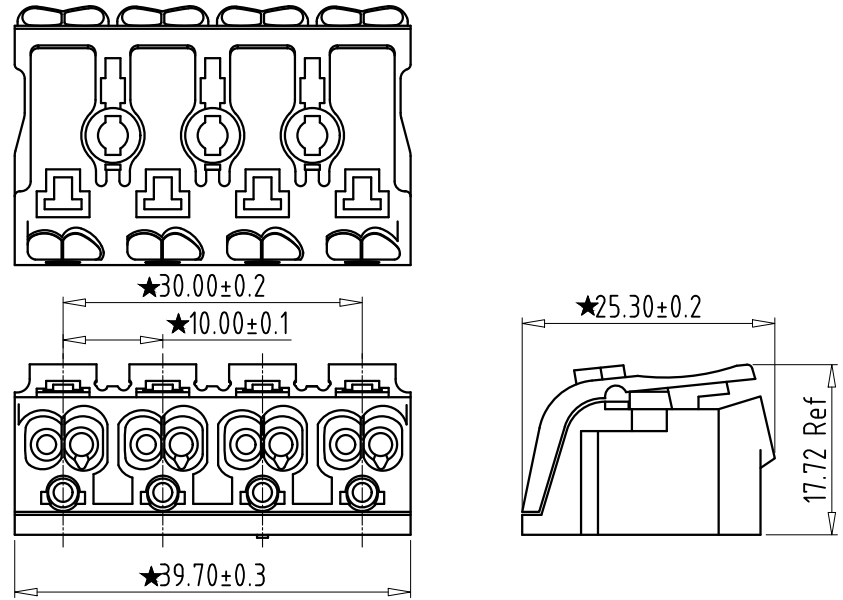
REV	CONTENT	CHK	DATE
V0.0	CONTENT	YL	22.10.17

Electrical :

- 1. Rated Voltage : 450V
- 2. Rated Current : 16A
- 4. Wire Range: 0.75-2.5mm²
- 5. Stripping Length : 8-10mm
- 6. Withstanding Voltage : AC2500V/1Min.
- 7. Operating Temperature : -40°C~+105°C
- 8. RoHS Compliance
- 9. "★" is the key quality control point



- ① Series NO. ④ 1 Single Pitch
 2 Double Pitch
- ② Pitch ⑤ Color: 1 Grey
 2 Blue
 3 Black
 4 Green
 5 Orange
 6 Red
 7 Transparent
 8 Yellow
 9 White
- ③ Poles
02 02Contacts
03 03Contacts
...
24 24Contacts
- ⑥ Customer Request: 00--Standard



Total Pitch Tolerances in mm									Nominal dimension range in mm											⊥	=	-	//							
over	over	over	over	over	over	over	over	over	over	over	over	over	over	over	over	over	over	over	over	over	over	over	over	over	over	over	over	0	100	150
to	to	to	to	to	to	to	to	to	to	to	to	to	to	to	to	to	to	to	to	to	to	to	to	to	to	to	to	0	100	150
0	30	53	70	90	115	150	250	350	0	30	53	70	90	115	150	200	250	320	10	0	100	150	0.2	0.3	0.3	0.2	0.3	0.5		
±0.18	±0.20	±0.25	±0.3	±0.35	±0.44	±0.60	±0.70	±0.85	±0.20	±0.25	±0.30	±0.35	±0.44	±0.55	±0.70	±0.80	±0.90	0.2	0.3	0.3	0.2	0.3	0.5							

3	BLOCK	XX	4	Brass	Ni Plated				
2	SPRING	XX	4	Stainless Steel	/				
1	HOUSING	XX	1	PA66 UL94V-0	SEE NOTE				
ITEM	NAME OF PART		NO. OF PART	Q'TY	MATERIAL	NOTE			
DWG.	YL	DATE	22.10.17	SIZE	A4	UNITS	mm	SHEET/OF	1 / 1
CHK.	DATE			SCALE	1:1				
APP.	DATE								
宁波冠泰电子有限公司 NINGBO GOLTEN ELECTRONICS CO., LTD.				NAME		GT238-10.0-04P-19-00			
				DWGNO.		XXXX			