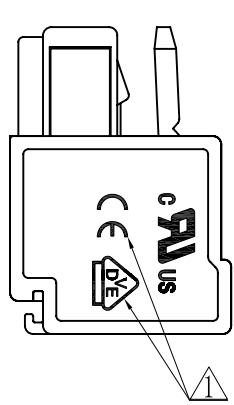
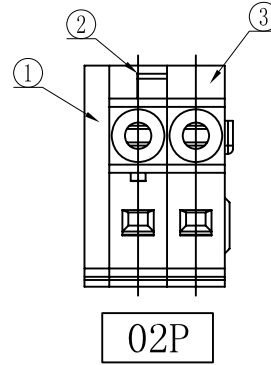
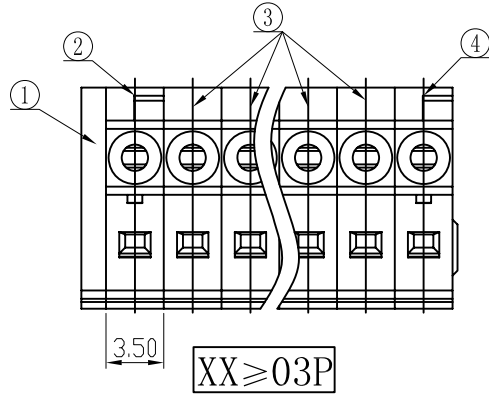


REVISION RECORD					
REV	ECN	DESCRIPTION	DRFT	DATE	
△	10-0336	增加“VDE”、“CE”认证标志	Jinhai, Lan	09/16/10'	



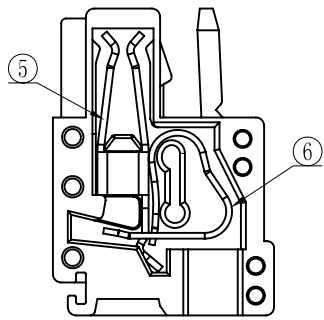
VIEW A-A



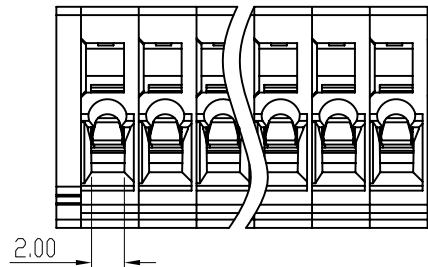
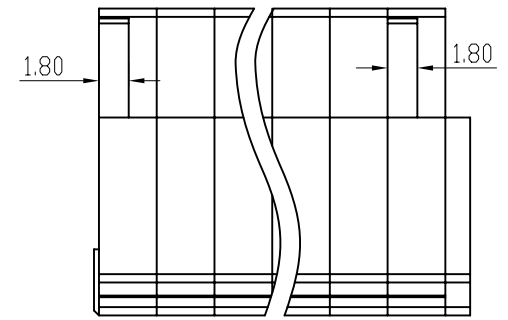
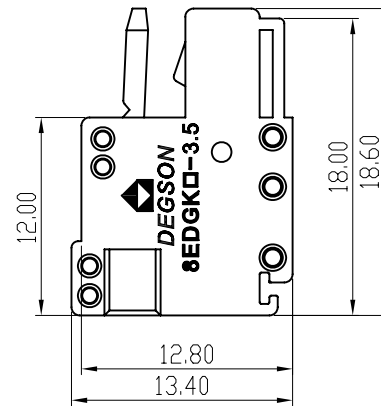
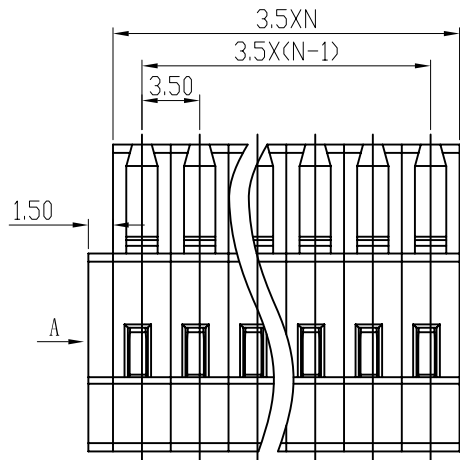
Notes:

- Pitch: 3.5mm , Poles: 2-24P
- Rated voltage/current: UL 300V/10A  
VDE 250V/10A
- Operation temperatures: -40°C ~ +105°C
- Withstanding Voltage: AC2000V/1Min
- Insulation Resistance: 1000MΩ / DC500V
- Wire Range: 28~14AWG, 1.5mm<sup>2</sup>
- Undimensioned Tolerances:

Pitch range in mm		Nominal dimension range in mm							
to	over	to	to	to	to	to	to	—	
6	6	10	10	30	60	100	150	∩	
	10	24	30	60	100	150		∇	
	±0.10	±0.15	±0.25	±0.2	±0.3	±0.5	±0.7	±1	0.05/10



TAKE OFF COVER VIEW



6	WS 1.5-SPRING	X000001700 (H)	XX	Stainless steel	
5	8EDGK-3.5-CLAMP	1117B00010 (H)	XX	Phosphor Bronze	SnCe
4	8EDGK-3.5-Side Housing-2	1117A4101C (H)	1 (XX≥3) 0 (XX=2)	PA66	UL94V-0
3	8EDGK-3.5-Housing	1117A4101A (H)	XX-2 (XX≥3) 1 (XX=2)	PA66	UL94V-0

ITEM	NAME OF PART	NO. OF PART	Q'TY	MATERIAL	NOTES
2	8EDGK-3.5-Side Housing-1	1117A4101D (H)	1	PA66	UL94V-0
1	8EDGK-3.5-COVER	1117C4101A (H)	1	PA66	UL94V-0

DFTO LYK CHKD MFD APPVL	DATE 12/20/06' DATE DATE DATE	宁波高正电子有限公司 DEGSON ELECTRONICS CO., LTD
TOLERANCES EXCEPT AS NOTED MM .0 ± .00 ± .000 ±		
ANGLES ± 1° THIRD ANGLE PROJECTION		NAME 8EDGK-3.5-XXP-11-01A(H)
G.E : FINISH:		DRAWING NO. 8EDGK-3.5-E01 /PART NO.
SCALE :		DO NOT SCALE DRAWING SHEET 1 OF 1