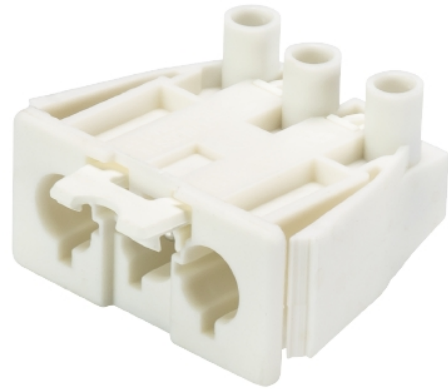


## Data sheet

Commercial Art.No.: 92.032.8758.0

Device connector GST18I3S S1 R V WS

Device connectors, snap-in panel mount, GST18I3, 3 pole, male, screw connection, 250 V, 20 A, material thickness 0,5 - 1,5 mm, colour of coding: white



Commercial Art.No.	92.032.8758.0
EAN	4015573455580
Order Unit	1

Certificates / Approvals



## Technical data

### General

Rated current	20 A
Rated voltage	250 V
Pollution degree	2
Mechanical coding	Code 1
Rated impulse voltage	4 kV
Lockable	self-locking (unlocking by tool)
Color of coding/ contact carrier	white
Marking of poles	L, N, PE

### Connection Data

Connection cross section solid mm <sup>2</sup> max.	4 mm <sup>2</sup>
Connection cross section solid mm <sup>2</sup> min.	0.75 mm <sup>2</sup>
Connection cross section fine stranded mm <sup>2</sup> max.	4 mm <sup>2</sup>
Connection cross section fine stranded mm <sup>2</sup> min.	0.75 mm <sup>2</sup>
Terminations per pole	1
Wire strip length	9 mm

### Model

Model	male
Connection type	screw connection
Angle of plug	straight
Degree of protection (IP)	IP20
Remark to type of connection	Fine stranded wires 4 mm <sup>2</sup> only without ferrules
Thickness of housings (electrical device) 2	0.5 mm

Thickness of housings (electrical device)	1.5 mm
built-in component	snap-in

### Material

Housing material	Polyamide
halogen free	yes
Contact material	CuZn
Fire load	0.05 kWh
Insulation components continuous temperature	100 °C
Surface finish	Tin-plated

### Dimensions

Length	30.3 mm
Width	32.8 mm
Height	21 mm

### Classification

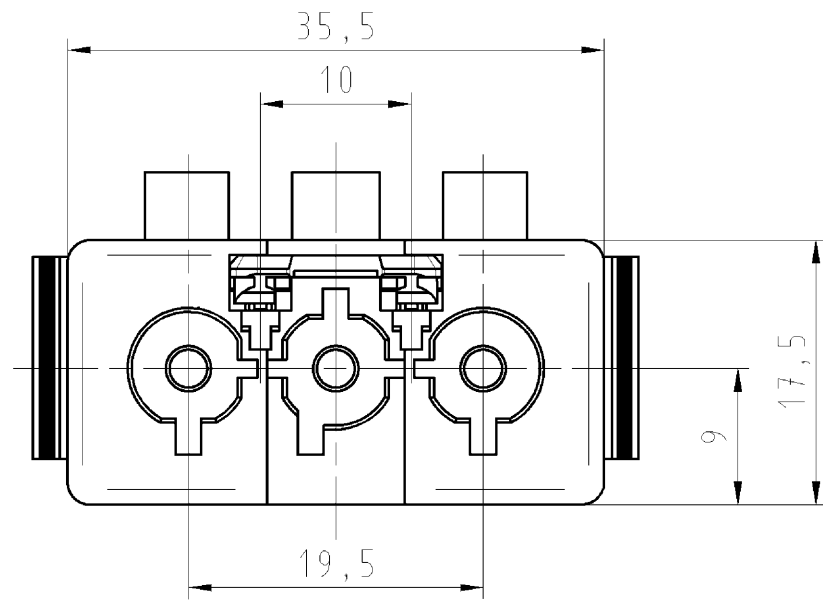
ECLASS 11	
ECLASS 8.1	27440602
ETIM 7.0	EC002566
ETIM 6.0	EC002566
ETIM 5.0	EC002566
ETIM 4.0	EC002566

### Product compliance

ROHS conformity status	Compliant/Exempted
ROHS exceptions	III-6(c)
REACH-SVHC conformity status	Duty-To-Declare
REACH-SVHC substances	Lead
REACH-SVHC CAS numbers	7439-92-1

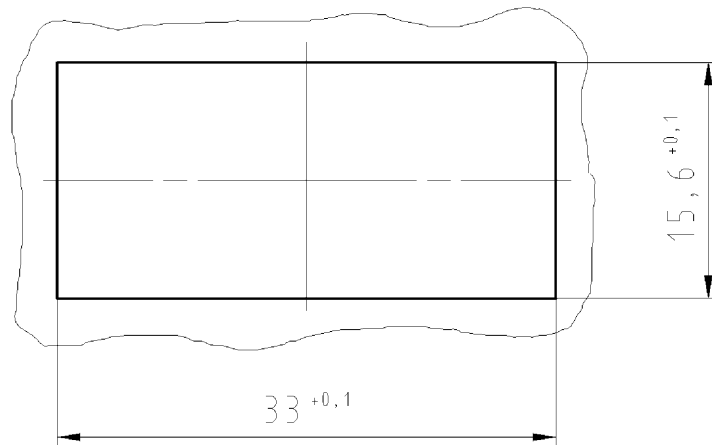
### Accessories

Commercial Art.No.:	Article-type description:	Description:
05.595.1453.0	Lock (G)ST18V SW	Locking device for snap-in panel mount GST18i3-5, retrofit part, black
05.595.1453.2	Lock (G)ST18V WS	Locking device for snap-in panel mount GST18i3-5, retrofit part, white
05.561.3653.0	cover cap GST18i3VS B WS	Cover piece for female GST18i3, white
05.561.3653.1	cover cap GST18i3VS B SW	Cover piece for female GST18i3, black
05.564.5353.0	cover cap GST18i3/4/5 SW	Cover piece 12 pole black for female parts GST18i3-6
05.564.5353.2	cover cap GST18i3/4/5 WS	Cover piece 12 pole white for female parts GST18i3-6
05.594.4250.0	cover cap ST18/3B + GST18i3 ST WS	
05.594.4253.0	cover cap ST18/3B + GST18i3 ST SW	
07.425.8753.0	Cover GST18i3 WS	Cover to close unused openings for GST18i3 panel mounts. Cover: white
07.425.8753.1	Cover GST18i3 SW	Cover to close unused openings for GST18i3 panel mounts. Cover: black

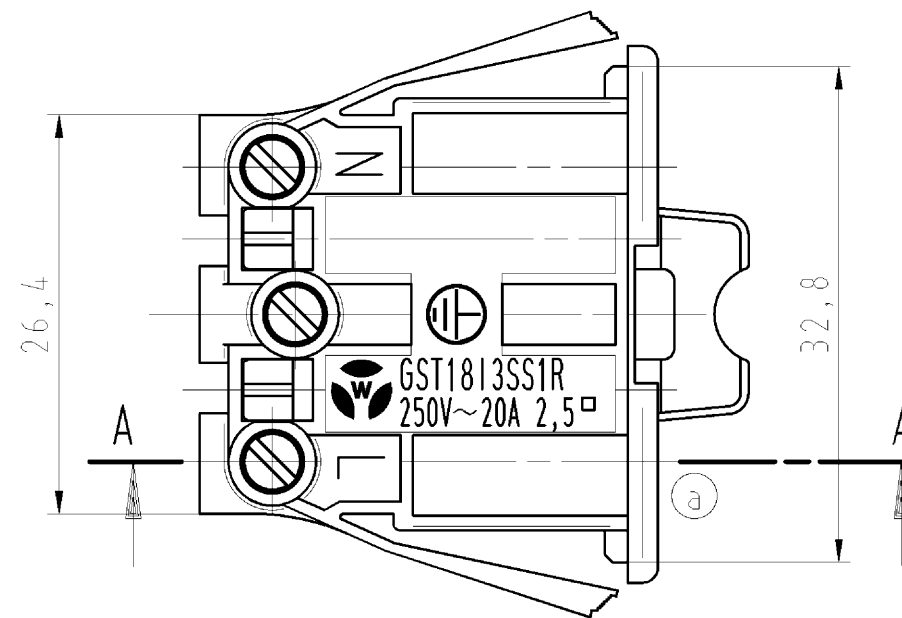
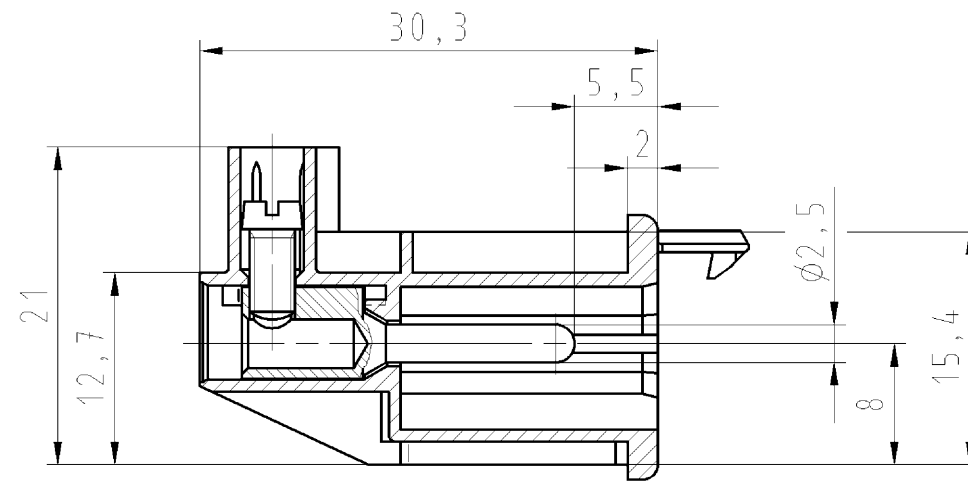


Blechausschnitt/sheet cutout

t = 0,5 - 1,5 mm



A-A



Weitere Daten siehe Katalog  
further data see catalog

Teile-Nr. part number	Farbe colour	Typ type
92.032.8758.0	weiß/white	GST1813SS1R V WS
92.032.8758.1	schwarz/black	GST1813SS1R V SW

Tolerierung Size ISO 14405/Tolerance system Size ISO 14405. (This ISO-standard describes the envelope principle. According to the envelope principle the deviations of form and parallelism are limited by the size tolerances).				ja/yes <input checked="" type="checkbox"/> Stoffverbots- und Deklarationsliste nach UU-TQM-05/03 ist einzuhalten. Conformity with Wieland document UU-TQM-05/03 (list of prohibited / declarable hazardous substances) to be declared!			
Freitoleranz nach General tolerance		CAD - Zeichnung, keine manuellen Änderungen CAD - drawing, no manual modifications allowed		1. Verwendung: - First Use:		Blatt: 1 von 1 Sheet: of 1	
/		Werkstoff/Material		2007 Tag/Date Name		Zeichnung Nr./Drawing No. Index	
/				gezeichnet drawn 23.05. Schmitt J.		T 92.032.8758.0 01K a	
/ Maßstab/Scale				geprüft checked - -		Maße in mm/Dimensions are in mm	
/ 2:1				Normgepr. Stand. check - -			
/ Vol.		mm <sup>3</sup> Ofl./Surf.		mm <sup>3</sup> Ersatz für/Replacement for: -			
/		wieland		Type		Benennung/Titel	
a 07.02.2013/		Elektrische Verbindungen				MALE CONNECTOR STECKERTEIL	
Index Datum / Blatt Date / Sheet						schraubbar/screw connection, snap in a 250V AC 20A 2,5qmm	
Änderung/Revision							

Weitergabe sowie Vervielfältigung dieses Dokuments, Verwertung und Mitteilung seines Inhalts sind verboten, soweit nicht ausdrücklich gestattet. Die Reproduktion, Distribution und Nutzung dieses Dokuments, sowie die Kommunikation der Inhalte mit Dritten ohne schriftliche Genehmigung ist ausdrücklich untersagt.

920328758001K\_2\_CADW3027\_Duetsch 2013-02-20T11:10:55 1.000