

Data sheet

Commercial Art.No.: 4L.030.0143.9

Distributor RST08i3VL3P1HF V BL

RST08i3 distribution block for parallel connections, with longitudinal sealing, 3 pole, application 250V/400V, 8A, 1 input and 3 outputs, coding color light blue, color of housing black



Commercial Art.No.	4L.030.0143.9
EAN	4049088557538
Order Unit	1

Technical data

General

Rated current	8 A
Rated voltage	250 V / 400 V
Rated impulse voltage 2	2.5 V
Pollution degree	3
Lockable	self-locking (unlocking by hand)
Color of coding/ contact carrier	light blue
Marking of poles	1, 2/N, 3

Model

Number of inputs	1
Number of outputs	3
Type of fastening	yes
Degree of protection (IP)	IP66/68 (3m;2h) /IP69
Type of distributor	Distribution block

Material

Housing material	TPU
halogen free	yes
Contact material	CuZn
Fire load	0 kWh
Insulation components continuous temperature	100 °C
Surface finish	Silver-plated
UL classification housing	UL-V2

Dimensions

Length	50.6 mm
Width	47.8 mm
Height	22.8 mm

Note

Note	Use only one connector with contact sealing - either male or female connector.
------	--

Classification

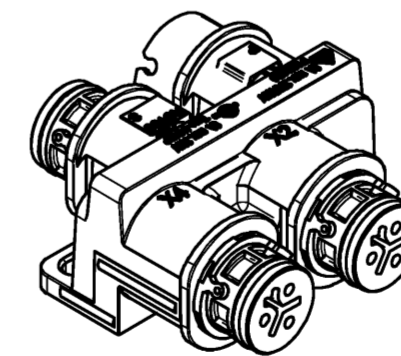
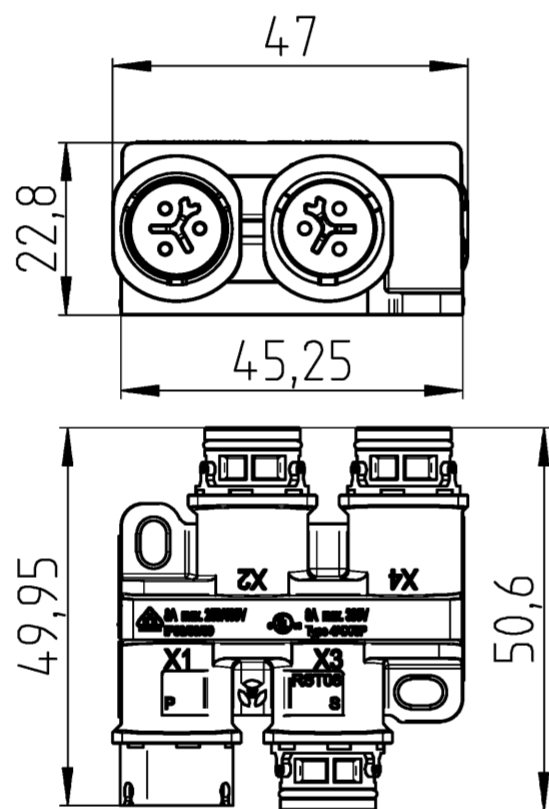
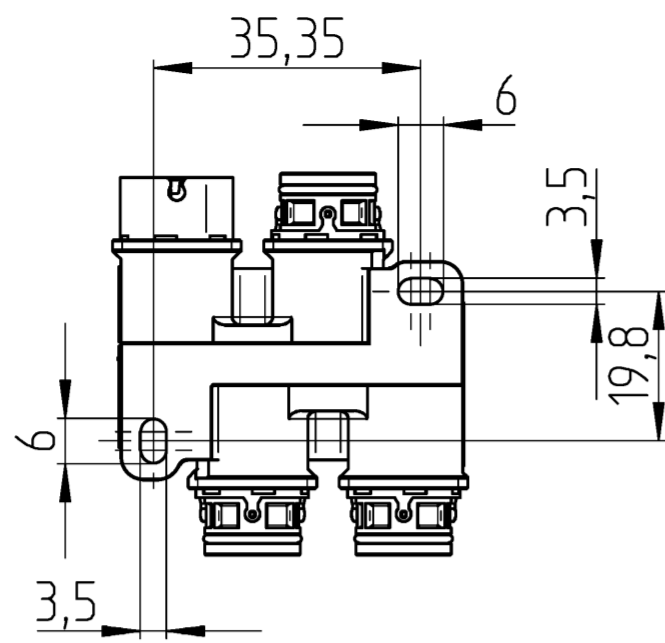
ECLASS 11	
ECLASS 8.1	27440603
ETIM 7.0	EC002567

Accessories

Commercial Art.No.:	Article-type description:	Description:
06.563.5053.1	Cover for female connector SW	RST08i3/2 cover piece, for covering unused female connectors, with fastening belt, color black
06.563.5153.1	Cover for male connector SW	RST08i3/2 cover piece, for covering unused male connectors, with fastening belt, color black

Fits with

Commercial Art.No.:	Article-type description:	Description:
41.031.3043.9	Connector RST08i3 S B1 ZR1SH BL	RST08i3 connector, 3 pole, female, screw connection, application 250V/400V, 8A, for cable diameters 4-7mm, coding color light blue, color of housing black
41.032.3043.9	Connector RST08i3 S S1 ZR1SH BL	RST08i3 connector, 3 pole, male, screw connection, application 250V/400V, 8A, for cable diameters 4-7mm, coding color light blue, color of housing black



Teile-Nr. /part no.		
4L.020.014.3.1		
4L.020.014.3.9		
4L.020.014.1.4		
4L.030.0153.1		
4L.030.014.3.9		
4L.030.014.1.4		
4L.020.024.1.8		
4L.030.0351.8		

● = unbestückt / unpopulated

Weitergabe sowie Vervielfältigung dieses Dokuments, Verwertung und Mitteilung seines Inhalts sind verboten, soweit nicht ausdrücklich gestattet. Die Reproduktion, Distribution und Nutzung dieses Dokuments, sowie die Kommunikation mit Dritten ohne schriftliche Genehmigung ist untersagt.

These dimensions will be especially checked at delivery
 Only inspection dimensions
 With reserved dimensions are only valid for internal use

Diese Maße werden bei Abnahme besonders geprüft
 Ausschließlich Prüfmaße
 Mit vorbehaltenen Maßen sind nur für interne Zwecke gültig

Gezeichnete Ausführung:
/drawn version:

Teile-Nr. /part no.	Benennung /designation	Typ /type	Kodierungsfarbe /color of coding
4L.020.014.3.1	H-PARALLEL-2pol-K1	RST08i2VL3P1HF V SW	schwarz / black
4L.020.014.3.9	H-PARALLEL-2pol-K2	RST08i2VL3P1HF V BL	lichtblau / light blue
4L.020.014.1.4	H-PARALLEL-2pol-K3	RST08i2VL3P1HF V L SG	schiefergrau / slate grey
4L.030.0153.1	H-PARALLEL-3pol-K1	RST08i3VL3P1HF V SW	schwarz / black
4L.030.014.3.9	H-PARALLEL-3pol-K2	RST08i3VL3P1HF V BL	lichtblau / light blue
4L.030.014.1.4	H-PARALLEL-3pol-K3	RST08i3VL3P1HF V L SG	schiefergrau / slate grey
4L.020.024.1.8	H-SERIELL-2pol-K4	RST08i2VL3S1HF V L KG	kieselgrau / pebble grey
4L.030.0351.8	H-SERPAR-3pol-K4	RST08i3VL3G1HF V L KG	kieselgrau / pebble grey

Weitere Daten siehe KATALOG oder eKatalog
 additional data see CATALOG or eCATALOG
www.wieland-electric.com
eshop.wieland-electric.com

Tolerierung Size ISO 14405 © / Tolerance system Size ISO 14405 ©
 (This ISO-standard describes the envelope principle. According to the envelope principle the deviations of form and parallelism are limited by the size tolerances)

Freitoleranz nach General tolerance CAD - Zeichnung, keine manuellen Änderungen CAD - drawing, no manual modifications allowed

ja/yes Stoffverbots- und Deklarationsliste nach WN 5020.010 ist einzuhalten. Conformity with Wieland document WN 5020.010 e (list of prohibited / declarable hazardous substances) to be declared!

1. Verwendung: First Use: Blatt: 1 von 1 Sheet: 1 of 1

Werkstoff / Material	Tag/Date	Name	Zeichnung Nr. / Drawing No.	Index
	19.02.2020	Hollet	T 4L.030.0153.1 13K	b

Maße in mm / Dimensions are in mm

Ersetzt / Replaces: mm³ Dfl./Srf. mm³

Änderung / Revision

gezeichnet / drawn
 geprüft / checked
 Name/Name
 Stand/Status

www.wieland-electric.com

Type: RST
 MICR
 VB

Benennung/Title: VERTEILERBLOCK_H
 distributor block