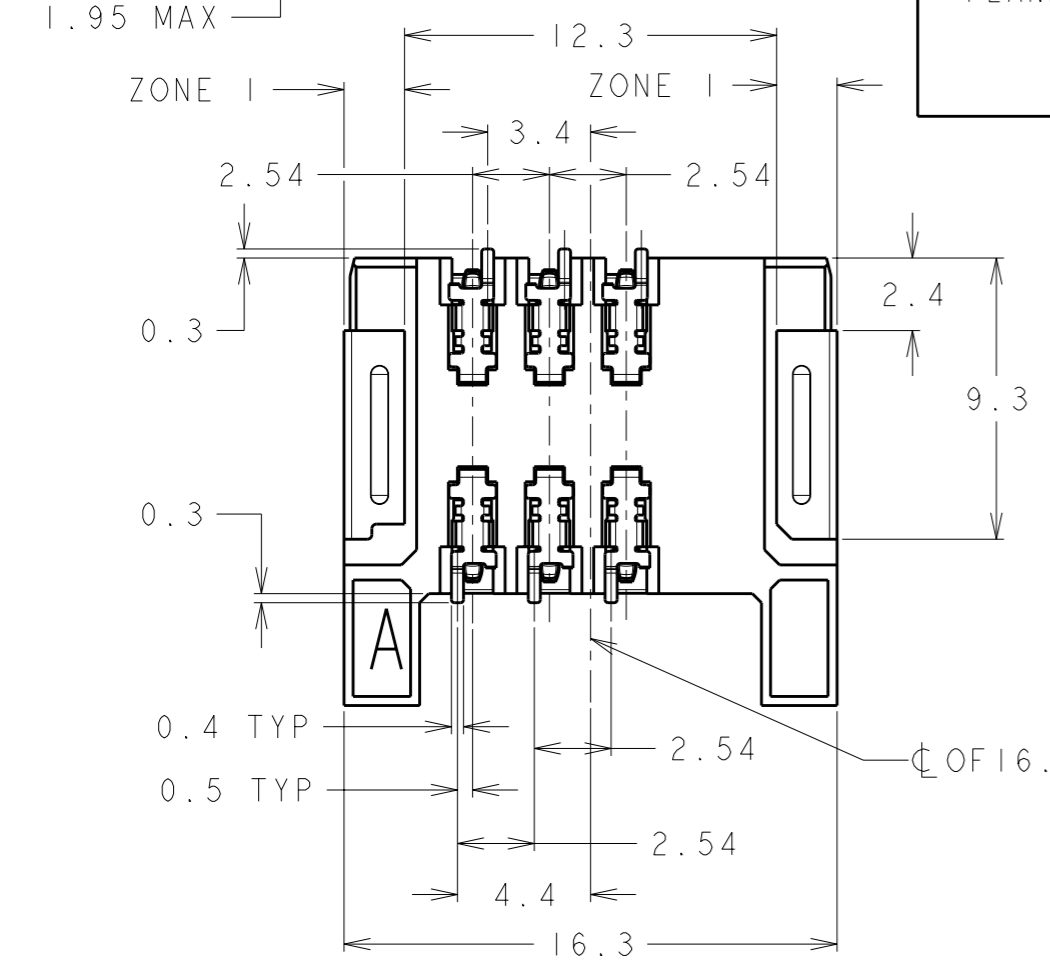
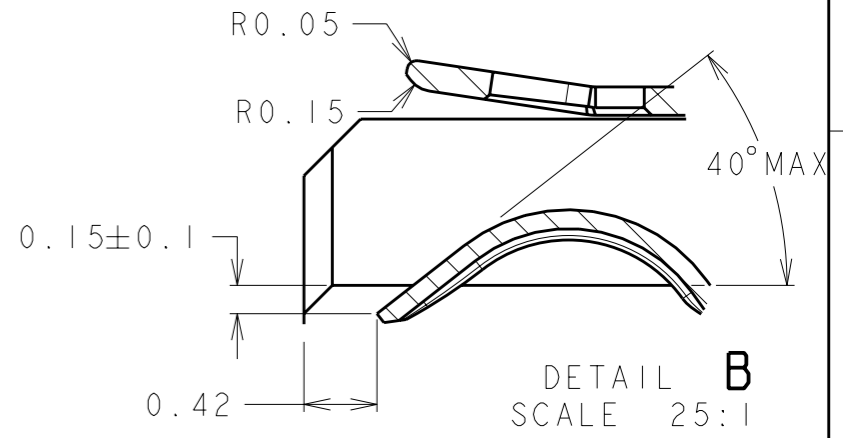
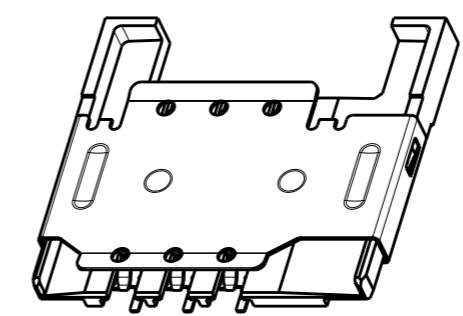
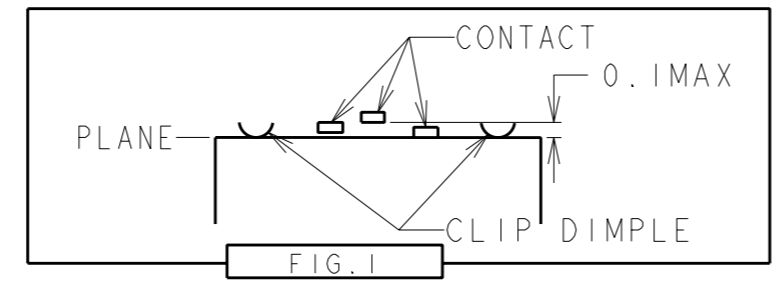
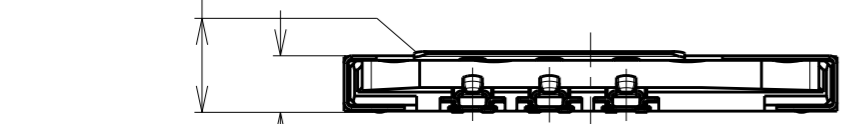
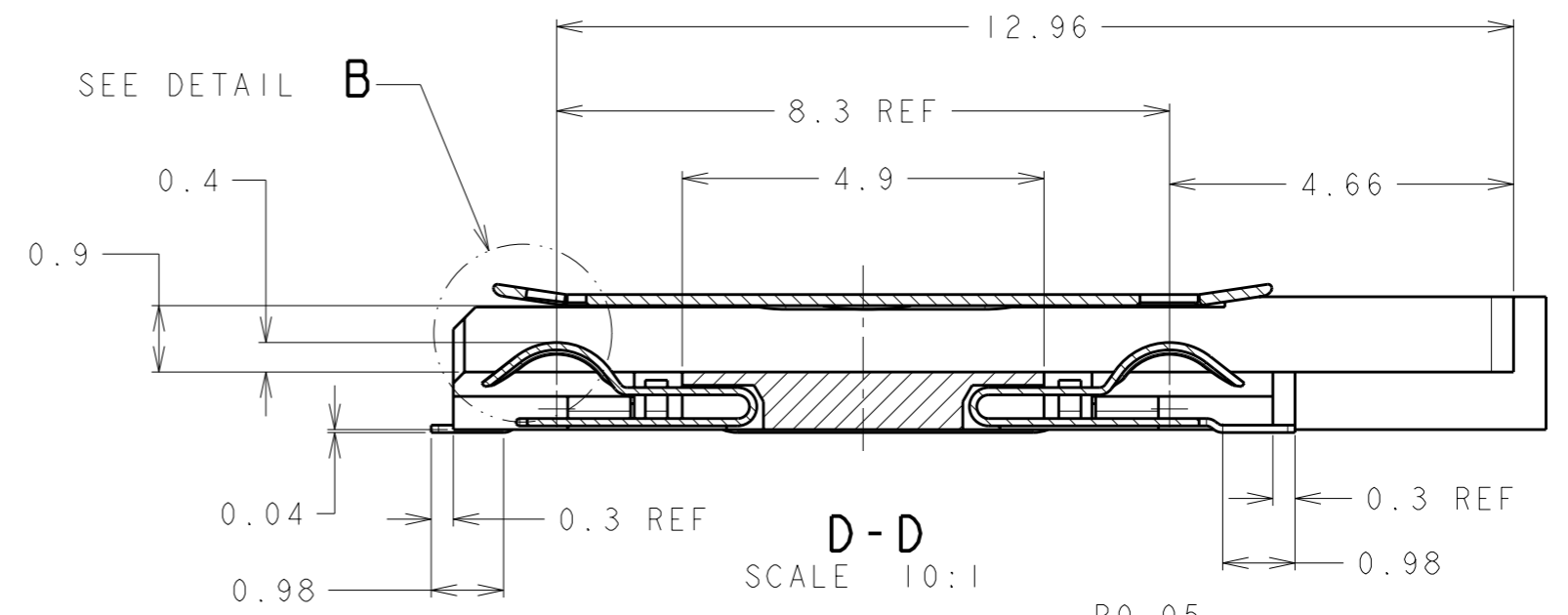
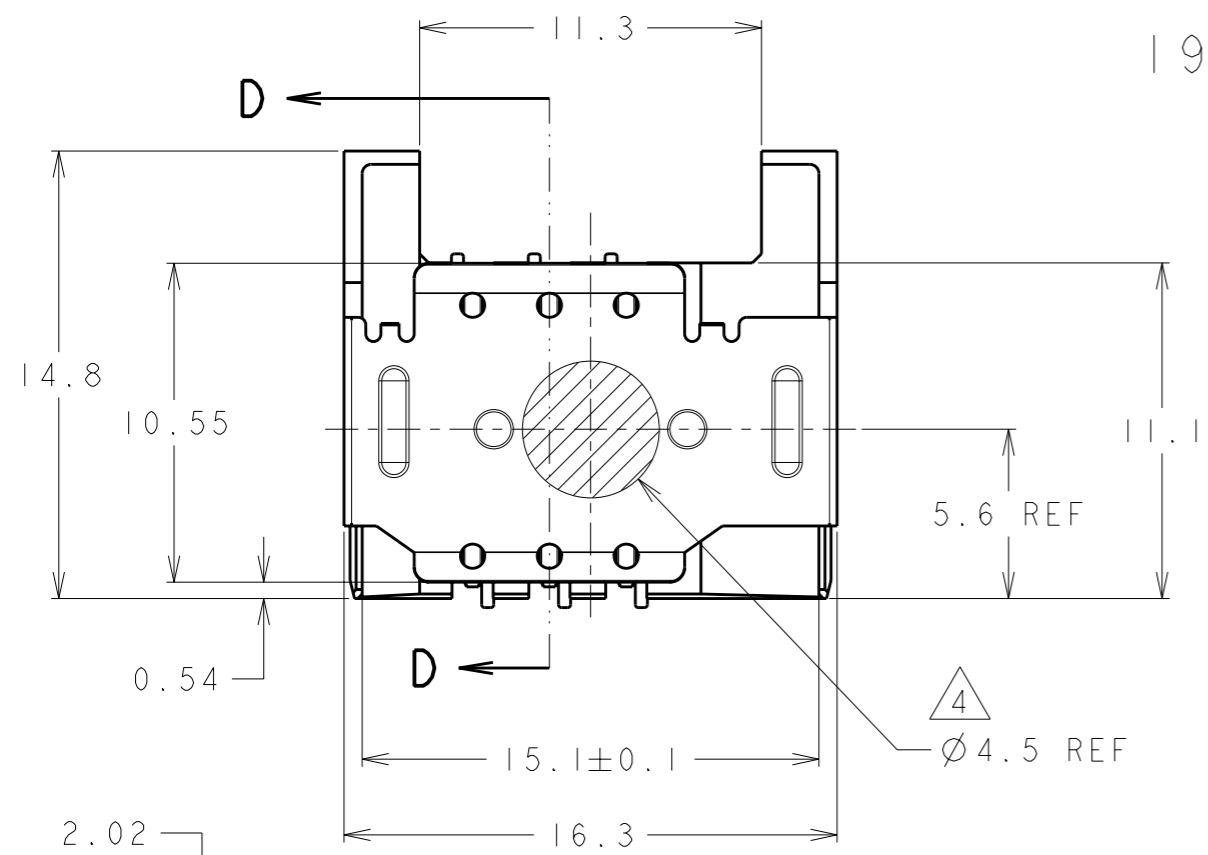


THIS DRAWING IS UNPUBLISHED. RELEASED FOR PUBLICATION 20
 © COPYRIGHT 20 BY TYCO ELECTRONICS CORPORATION. ALL RIGHTS RESERVED.

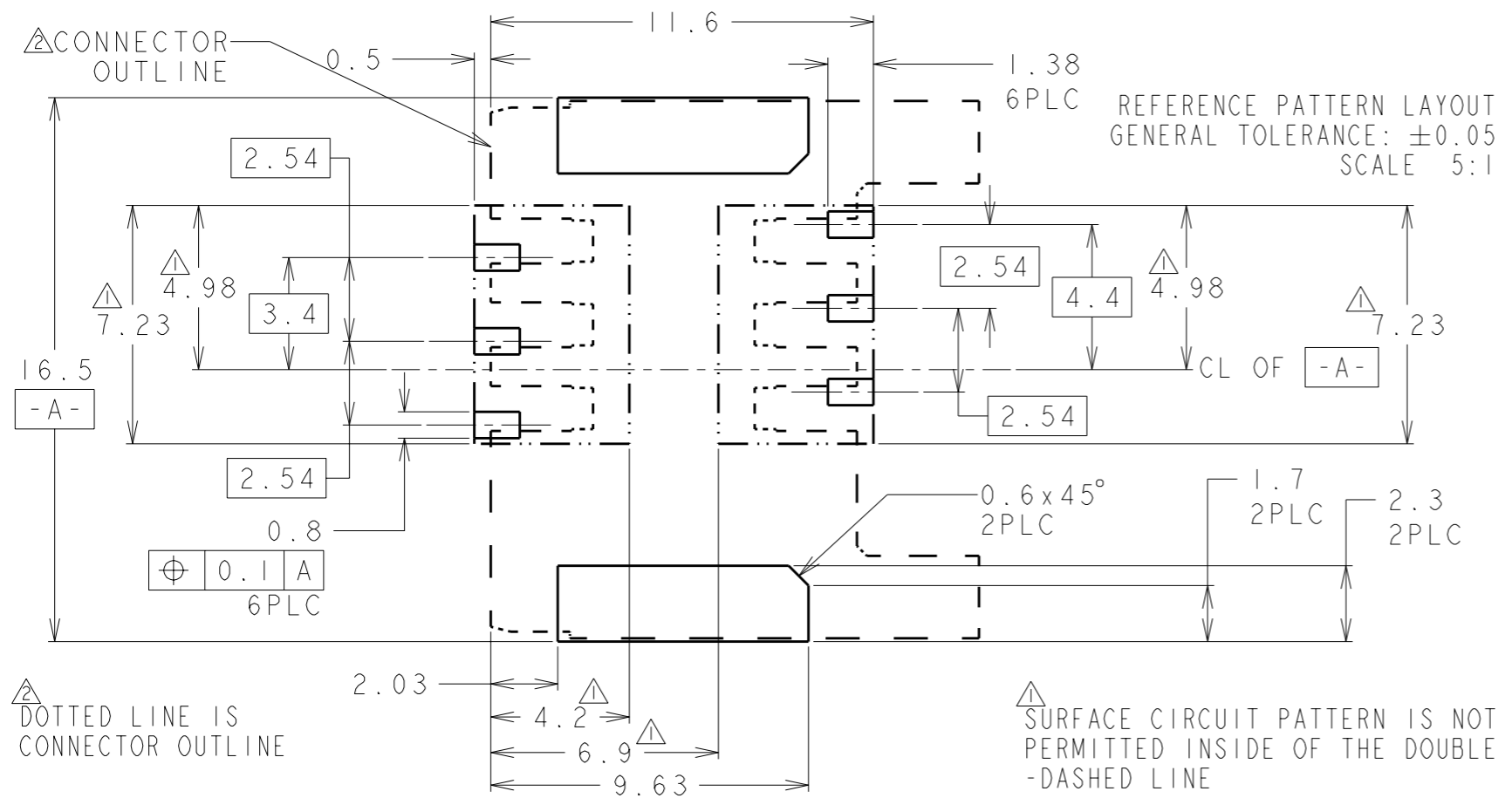
LOC	DIST	REVISIONS			
P	LTR	DESCRIPTION	DATE	DWN	APVD
ES	00	A	INITIAL RELEASE	04MAY2011	S.W S.Y
		B	REVISED	19JAN2012	S.W S.Y

1932768-1: AS SHOWN

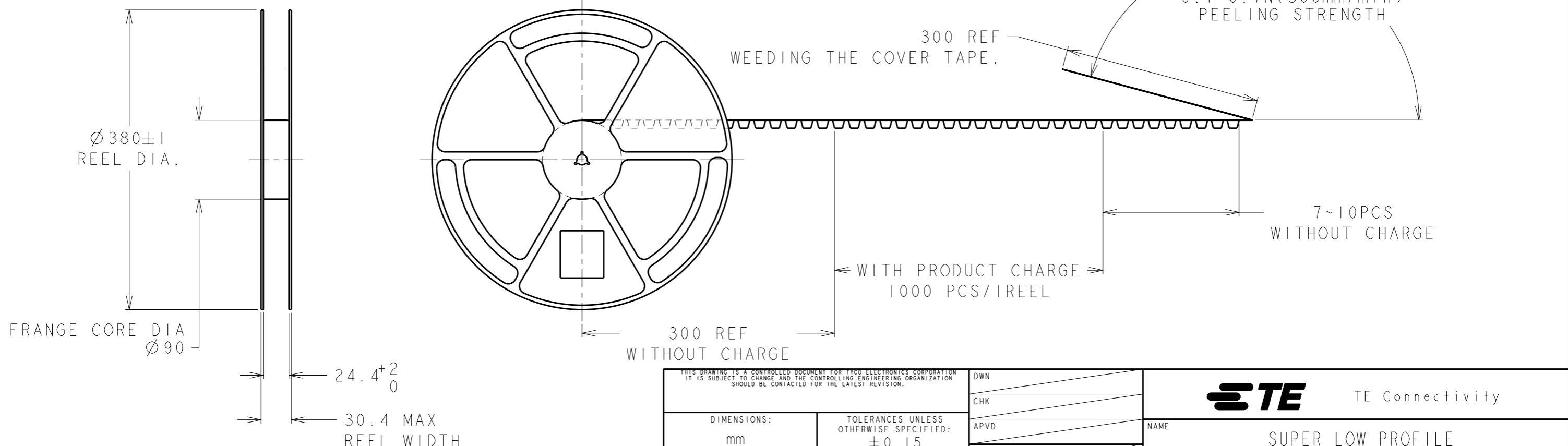
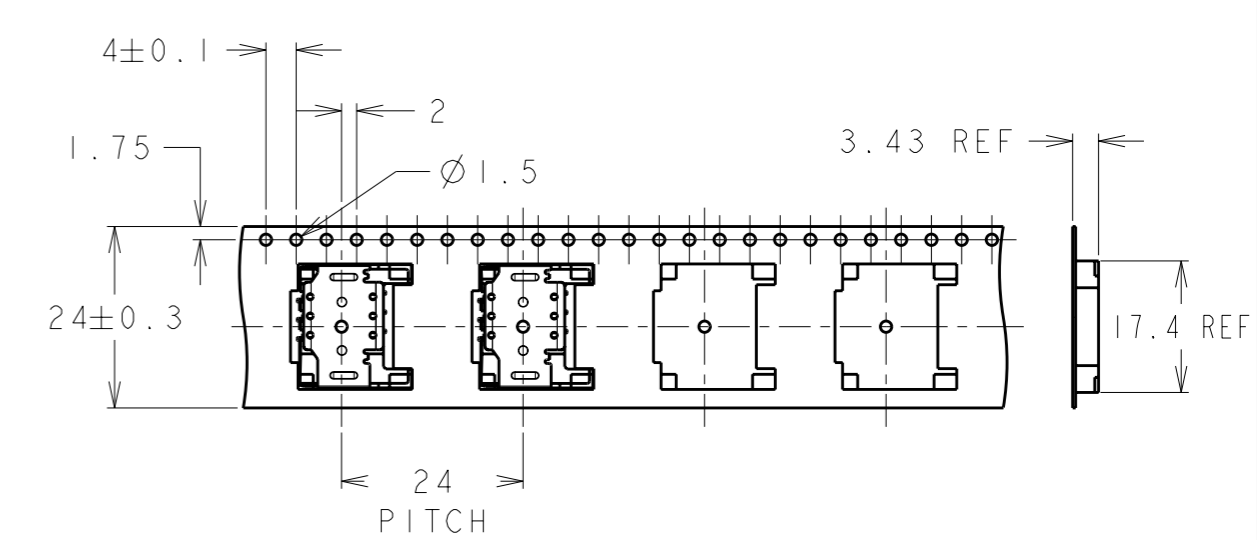


- CONTACT: COPPER ALLOY
 ALL OVER Ni: 1.27um MIN.
 CONTACT AREA PdNi: 1.0um MIN. Au: 0.2um MIN.
 SOLDERING AREA Au: 0.05um MIN.
 - CLIP: SUS
 ALL OVER Ni: 1.3um MIN.
 Tin: 1um MIN(ZONE I).
 - HOUSING: THERMOPLASTIC
- RECOMMENDED SOLDERING THICKNESS: 100um MIN.
 RECOMMENDED SOLDERING AREA:
 100% OF REFERENCE LAYOUT PATTERN
 - COPLANARITY: 0.1MAX. (SEE FIG. 1)
- ▲ REFERENCE PICK & PLACE AREA.

THIS DRAWING IS A CONTROLLED DOCUMENT FOR TYCO ELECTRONICS CORPORATION IT IS SUBJECT TO CHANGE AND THE CONTROLLING ENGINEERING ORGANIZATION SHOULD BE CONTACTED FOR THE LATEST REVISION.		DWN	3DEC2010	STE TE Connectivity
		CHK	Sabrina Wang	
		APVD	Wenke He	
		APVD	3DEC2010	NAME
		PRODUCT SPEC	Steven Yao	SUPER LOW PROFILE
		APPLICATION SPEC	108-115024	SIM H=1.95
		WEIGHT	0.46g	WITH FLANGE
DIMENSIONS:		TOLERANCES UNLESS OTHERWISE SPECIFIED:		SIZE
mm		±0.15		CAGE CODE
		0 PLC	±	DRAWING NO
		1 PLC	±	A300779
		2 PLC	±	©-1932768
		3 PLC	±	RESTRICTED TO
		4 PLC	±	
		ANGLES	±5°	
MATERIAL		FINISH		SCALE
				4:1
		CUSTOMER DRAWING		SHEET
				1 OF 2
				REV
				B



LOC		DIST		REVISIONS			
P	LTR	DESCRIPTION	DATE	DWN	APVD		
ES	00	-	SEE SHEET 1	-	-	-	-



THIS DRAWING IS A CONTROLLED DOCUMENT FOR TYCO ELECTRONICS CORPORATION IT IS SUBJECT TO CHANGE AND THE CONTROLLING ENGINEERING ORGANIZATION SHOULD BE CONTACTED FOR THE LATEST REVISION.		DWN		TE Connectivity	
DIMENSIONS: mm		CHK		NAME	
TOLERANCES UNLESS OTHERWISE SPECIFIED: ± 0.15		APVD	SUPER LOW PROFILE		
0 PLC \pm		PRODUCT SPEC	SIM H=1.95		
1 PLC \pm		APPLICATION SPEC	WITH FLANGE		
2 PLC \pm		WEIGHT	SIZE	CAGE CODE	DRAWING NO
3 PLC \pm		CUSTOMER DRAWING	A3	00779	C-1932768
4 PLC \pm					RESTRICTED TO
ANGLES $\pm 5^\circ$			SCALE 4:1 SHEET 2 OF 2 REV B		
FINISH					