

Data sheet

Commercial Art.No.: 92.257.1000.1

Cable assembly GST18i5KSBS 15 10SW

GST18i5 connection cable female - male, length 1.0 m, 5 pole, coding mains 250 V/ 400 V, 16 A, coding color black, strain relief color black, cable color black, cross section 1.5 mm², cable type H05VV-F, fire class: Eca



Commercial Art.No.	92.257.1000.1
EAN	4015573587908
Order Unit	1

Certificates / Approvals



Technical data

General

Rated current	16 A
Rated voltage	250 V / 400 V
Rated impulse voltage	4 kV
Pollution degree	2
Mechanical coding	Code 1
Lockable	self-locking (unlocking by tool)
Color of coding/ contact carrier	black
Marking of poles	3, N, PE, 2, 1
Color of housing inclusive strain relief	black

Model

Nominal cross section conductor	1.5 mm ²
Degree of protection (IP)	IP20
Cable type	H05VV-F
Cable color	black
Cable diameter max.	10.1 mm
Version of cable	female - male
Type of cord set	connecting cable
Version cable end 1	GST18i5 female
Version cable end 2	GST18i5 plug

Material

Surface finish	Tin-plated
----------------	------------

halogen free	No
Continuous temperature of cable	70 °C
Insulation components continuous temperature	100 °C
Fire load	0.907 kWh
Fire class	Eca

Dimensions

Total length	1 m
--------------	-----

Classification

ECLASS 11	
ECLASS 8.1	27440604
ETIM 7.0	EC002587
ETIM 6.0	EC002587
ETIM 5.0	EC002587
ETIM 4.0	EC002587

Product compliance

ROHS conformity status	Compliant/Exempted
ROHS exceptions	III-6(c)
REACH-SVHC conformity status	Duty-To-Declare
REACH-SVHC substances	Lead
REACH-SVHC CAS numbers	7439-92-1

Accessories

Commercial Art.No.:	Article-type description:	Description:
05.587.3156.0	Lock (G)ST18 WS	Locking device for cable to cable connection GST18i3-5, white
05.564.5353.0	cover cap GST18i3/4/5 SW	Cover piece 12 pole black for female parts GST18i3-6
05.564.5353.2	cover cap GST18i3/4/5 WS	Cover piece 12 pole white for female parts GST18i3-6
05.566.9253.0	cover cap GST18i5 BUCHSEN	Cover for female connectors GST18i5, black
05.587.3156.1	Lock (G)ST18 SW	Locking device for cable to cable connection GST18i3-5, black
93.053.6009.0	Small distribution board WIV GST18i3 20kVA	<p>gegis® WIV: pre-wired for plug-in to an RST50 or 32 A CEKON three-phase power supply for a maximum connection power of 20kVA. The outputs are carried out via the GST18 plug-in system. Each circuit is individually secured, the 16 A outputs are FI- protected. Several connections can be switched on or off via a common main switch. The distribution system consists of switchable and non- switchable outputs. If necessary, the non-switchable outputs can be used for example. Emergency lighting or cooling systems are operated. They are also suitable for extending existing installations and are easy to commission. Adapter line 32 A CEKON on RST50 is included.</p>

93.053.6010.0	Small distribution board WIV GST18 20 kVA Typ 2	<p>gegis® WIV: pre-wired for plug-in to an RST50 or 32 A CEKON three-phase power supply for a maximum connection power of 20kVA. The outputs are carried out via the GST18 plug-in system. Each circuit is individually secured, the 16 A outputs are FI- protected. Several connections can be switched on or off via a common main switch. The distribution system consists of switchable and non- switchable outputs. If necessary, the non-switchable outputs can be used for example. Emergency lighting or cooling systems are operated. They are also suitable for extending existing installations and are easy to commission. Adapter line 32 A CEKON on RST50 is included in the scope of delivery.</p>
93.053.7006.0	Small distribution board WIV GST18I.. 40kVA	<p>gegis® WIV: pre-wired for plug-in 32 A CEKON three-phase power supply for a maximum connection power of 40kVA. The outputs are carried out via the GST18 plug-in system. Each circuit is individually secured, the 16 A outputs are FI-protected. Several connections can be switched on or off via a common main switch. The distribution system consists of switchable and non-switchable outputs. If necessary, the non-switchable outputs can be used for example. Emergency lighting or cooling systems are operated. They are also suitable for extending existing installations and are easy to commission. A further gegis® Wieland system distributor 20kVA can be supplied via the secured, plug-in transmission via RST 50. Adapter line 32 A CEKON on RST50 is included in the scope of delivery.</p>
93.053.7007.0	Small distribution board WIV GST18 40 kVA Typ 2	<p>gegis® WIV: pre-wired for the plug-in 63 A CEKON three-phase power supply for a maximum connection power of 40kVA. The outputs are carried out via the GST18 plug-in system. Each circuit is individually secured, the 16 A outputs are FI-protected. Several connections can be switched on or off via a common main switch. The distribution system consists of switchable and non-switchable outputs. If necessary, the non-switchable outputs can be used for example. Emergency lighting or cooling systems are operated. They are also suitable for extending existing installations and are easy to commission. A further gegis® Wieland system distributor 20kVA can be supplied via the secured, plug-in transmission via RST 50. Adapter line 32 A CEKON on RST50 is included in the scope of delivery.</p>

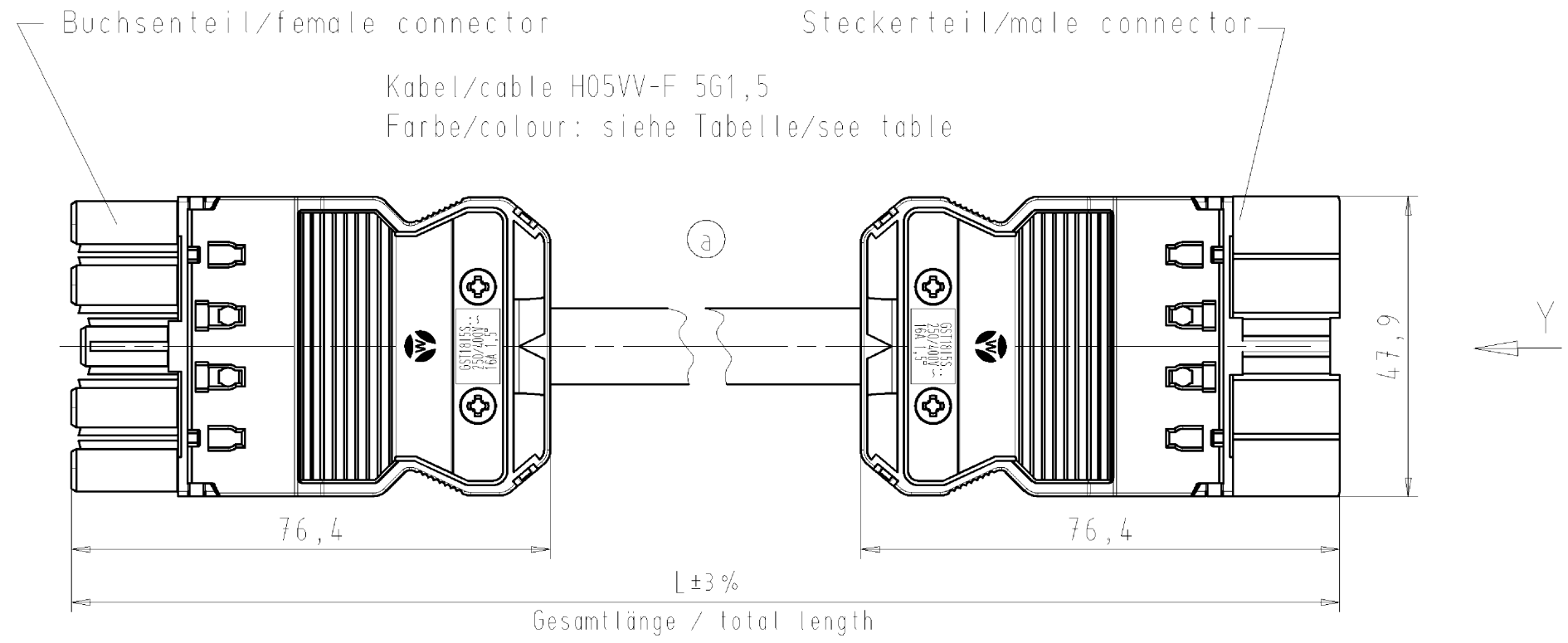
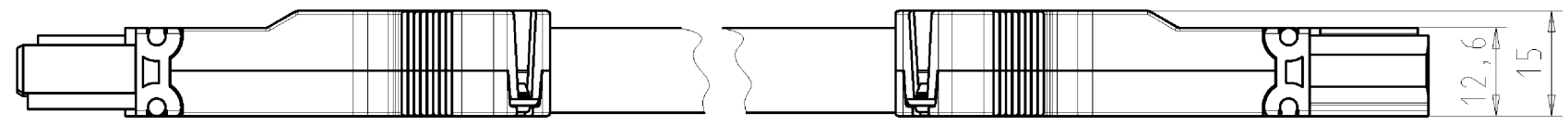
Fits with

Commercial Art.No.:	Article-type description:	Description:
92.953.3053.1	Connector GST18I5S B1BZR1 SW	Connector GST18i5, 5 pole, female, screw connection, 250/400 V, 20 A, colour of coding: black, colour of housing: black
92.953.4053.1	Connector GST18I5S B1 ZR1 SW	GST18i5 connector, 5 pole, female with screw connection, coding mains 250 V/ 400 V, 20 A, coding color black, strain relief color black
92.953.5053.1	Connector GST18I5S B1 ZR2 SW	GST18i5 connector, 5 pole, female with screw connection (tall strain relief), coding mains 250 V/ 400 V, 20 A, coding color black, strain relief color black
92.953.7053.1	Connector GST18I5S B1PZR1 SW	Connector GST18i5, 5 pole, female, flat version with test openings, screw connection, 250/400 V, 20 A, colour of coding: black, colour of housing: black
92.954.3053.1	Connector GST18I5S S1BZR1 SW	Connector GST18i5, 5 pole, male, screw connection, 250/400 V, 20 A, colour of coding: black, colour of housing: black
92.954.4053.1	Connector GST18I5S S1 ZR1 SW	GST18i5 connector, 5 pole, male with screw connection, coding mains 250 V/ 400 V, 20 A, coding color black, strain relief color black
92.954.5053.1	Connector GST18I5S S1 ZR2 SW	GST18i5 connector, 5 pole, male with screw connection (tall strain relief), coding mains 250 V/ 400 V, 20 A, coding color black, strain relief color black

92.954.7053.1	Connector GST18I5S S1PZR1 SW	Steckverbinder GST18i5, 5-polig, Steckerteil in Schraubtechnik, flache Version mit Messöffnungen, 250/400 V, 20 A, Kodierung Farbe schwarz, Gehäusefarbe schwarz
92.753.4053.1	Connector GST18I5S B1 ZR1 MSW	GST18i5 connector, 5 pole, female with screw connection assembled, coding mains 250 V/ 400 V, 20 A, coding color black, strain relief color black
92.754.4053.1	Connector GST18I5S S1 ZR1 MSW	GST18i5 connector, 5 pole, male with screw connection assembled, coding mains 250 V/ 400 V, 20 A, coding color black, strain relief color black

These dimensions will be especially checked at delivery
Only inspection dimensions
With /E marked dimensions are only valid for internal use

Diese Maße werden bei Abnahme besonders geprüft
Ausschließlich Prüfmaße
Mit /E gekennzeichnete Maße sind nur für interne Zwecke gültig



Typ/type: GST1815KSBS 15 .. SW = schwarz/black
WS = weiß/white

.F	Farbe colour	Codierung "X" Buchse female	Codierung "Y" Stecker male	Kabelfarbe cable colour
.1	schwarz black	3 N PE 2 1	1 2 PE N 3	schwarz black
.2	weiß white			weiß white

Teile-Nr. part-no.	L	Beispiel (Farbe: schwarz) example (colour: black)	Typ type
92.257.XX00.F	XX in dm-Schritten	92.257.1000.1 = 10dm/L= 1000mm	GST1815KSBS 15 10SW
U2.257.XX00.F	XX in m-Schritten	U2.257.1200.1 = 12 m/L=12000mm	GST1815KSBS 15 X12SW

Tolerierung nach DIN 7167/Tolerance system acc. to DIN 7167.
(This DIN-standard describes the envelope principle. According to the envelope principle the deviations of form and parallelism are limited by the size tolerances).

ja/yes Stoffverbots- und Deklarationsliste nach UU-TOM-05/03 ist einzuhalten.
Conformity with Wieland document UU-TOM-05/03 (list of prohibited / declarable hazardous substances) to be declared!

Freitoleranz nach General tolerance	CAD - Zeichnung, keine manuellen Änderungen CAD - drawing, no manual modifications allowed	1. Verwendung: First Use:	Blatt: 1 von 1 Sheet: of 1	
	Werkstoff/Material	2007 Tag/Date Name	Zeichnung Nr./Drawing No. Index	
		gezeichnet/drawn 02.03. Dütsch T.		
	Maßstab/Scale	geprüft/checked	T 92.257.0500.1 01K a	
	1:1	Normgepr. Stand. check		
	Vol. mm ³ Ofl./Surf. mm ²	Ersatz für/Replacement for: -	Maße in mm/Dimensions are in mm	
		Type	Benennung/Tittle	
a 01.02.2012/		PRE-ASSEMBLED CABLE KONFEKT_LEITUNG		
Index Datum / Blatt Date / Sheet	Elektrische Verbindungen	Buchse/female - Stecker/male Schraubanschluß/screw connection 250/400V 1,5qmm		
Änderung/Revision				

Weitere Daten siehe Katalog
further data see catalog

Weitergabe sowie Vervielfältigung dieses Dokuments, Verwertung und Mitteilung seines Inhalts sind verboten, soweit nicht ausdrücklich gestattet.
The reproduction, distribution and utilization of this document as well as the communication of its contents to others without express authorization is prohibited.

922570500101K_2 CADW2037.dwg 2012-02-02 02:08:20:44 1:000