

## Data sheet

Commercial Art.No.: 96.031.4154.3

Connector RST25I3S B1 ZR2SV BG03

RST25i3 connector, 3 pole, screw connection, application 250V with PE, 25A, for cable diameters 10-14mm, coding color concrete grey, color of housing black



Commercial Art.No.	96.031.4154.3
EAN	4015573864078
Order Unit	1

Certificates / Approvals



## Technical data

### General

Rated current	25 A
Rated voltage	250 V
Rated impulse voltage	4 kV
strain relief	yes
Pollution degree	3
Lockable	self-locking (unlocking by tool)
Color of coding/ contact carrier	concrete grey
Marking of poles	L, N, PE
Color of housing inclusive strain relief	black

### Connection Data

Cable diameter max.	14 mm
Cable diameter min.	10 mm
Connection cross section solid mm <sup>2</sup> max.	6 mm <sup>2</sup>
Connection cross section solid mm <sup>2</sup> min.	0.75 mm <sup>2</sup>
Connection cross section solid AWG min.	16 AWG
Connection cross section solid AWG max.	10 AWG
Connection cross section fine stranded mm <sup>2</sup> max.	6 mm <sup>2</sup>
Connection cross section fine stranded mm <sup>2</sup> min.	0.75 mm <sup>2</sup>
Terminations per pole	1
Connection cross section stranded AWG min.	16 AWG
Connection cross section stranded AWG max.	10 AWG
sheath strip length	26.5 mm
Wire strip length	8 mm

### Model

Model	female
-------	--------

Connection type	screw connection
Degree of protection (IP)	IP66/68 (3m;2h) /IP69

#### Material

Housing material	Polyamide
halogen free	yes
Contact material	CuZn
Fire load	0.293 kWh
Insulation components continuous temperature	100 °C
Surface finish	Silver-plated

#### Dimensions

Length	82 mm
Width	34.6 mm
Height	34.6 mm

#### Classification

ECLASS 11	
ECLASS 8.1	27440605
ETIM 7.0	EC002560
ETIM 6.0	EC002560
ETIM 5.0	EC002560
ETIM 4.0	EC002560

#### Note

Note	RST® terminals with screw clamping allow the connection of conductors without special preparation (without ferrules) according to EN 60999-1.; Rated current up to 32 A with cross section 6 mm <sup>2</sup>
------	--

#### Product compliance

ROHS conformity status	Compliant/Exempted
ROHS exceptions	III-6(c)
REACH-SVHC conformity status	Duty-To-Declare
REACH-SVHC substances	Lead
REACH-SVHC CAS numbers	7439-92-1

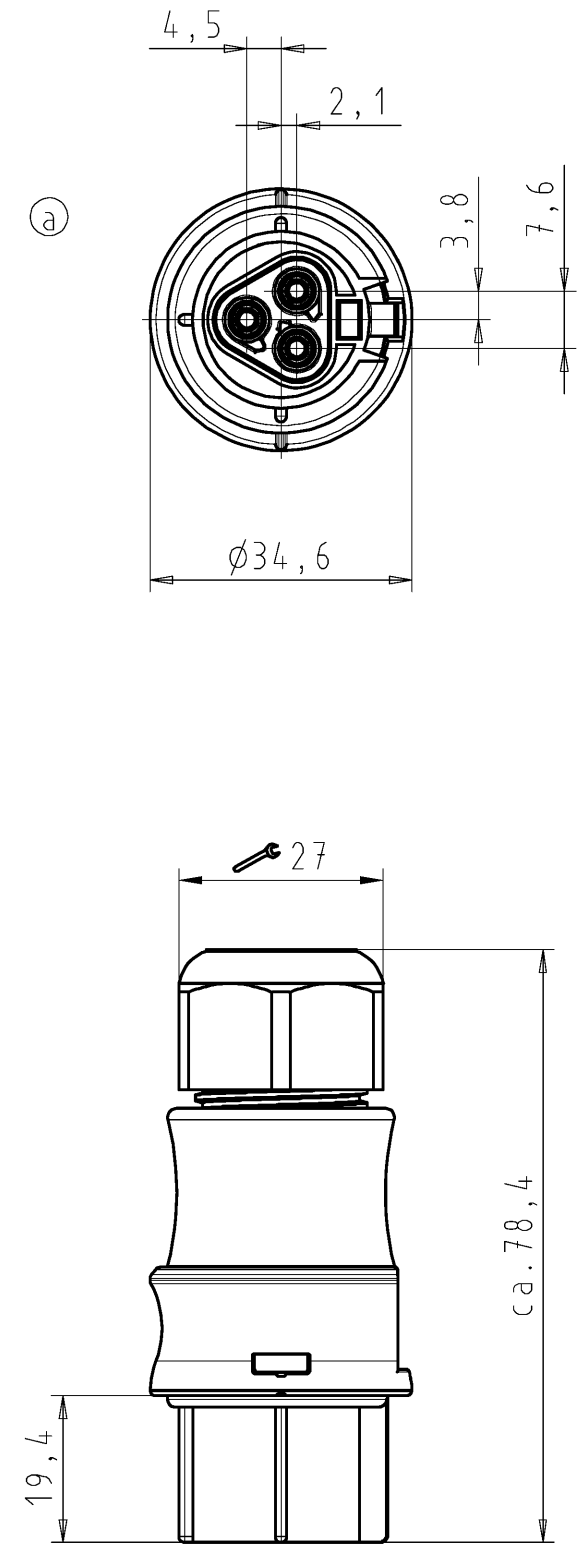
#### Fits with

Commercial Art.No.:	Article-type description:	Description:
96.834.1000.3	Cable assembly RST25i3KSBS 40P 10BG03	RST25i3 extension cable female - male, 3 pole, assembled with screw connection, application 250V with PE, 25A, cable type H05VV-F, length 1.0m, cross section 4.0mm <sup>2</sup> , coding color concrete grey
96.032.4154.3	Connector RST25i3S S1 ZR2 V BG03	RST25i3 connector, 3 pole, screw connection, application 250V with PE, 25A, for cable diameters 10-14mm, coding color concrete grey, color of housing black
96.034.4154.3	Connector RST25i3S S1 YR2SV BG03	RST25i3 connector (90° angled), 3 pole, screw connection, application 250V with PE, 25A, for cable diameters 10-14mm, coding color concrete grey, color of housing black
96.032.5054.3	Device connector RST25i3S S1 M01V BG03	RST25i3 device connector M25, 3 pole, male, screw connection, application 250V with PE, 25A, coding color concrete grey

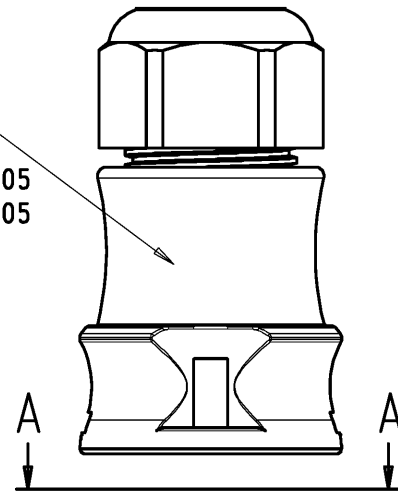
96.032.6054.3	Device connector RST25I3S S1 M00V BG03	RST25i3 device connector M20, 3 pole, male, screw connection, modular, application 250V with PE, 25A, coding color concrete grey, color of housing black
96.032.6154.3	Device connector RST25I3S S1 M03V BG03	RST25i3 device connector M16, 3 pole, male, screw connection, modular, application 250V with PE, 25A, coding color concrete grey, color of housing black
96.034.6054.3	Device connector RST25I3S S1 M90V BG03	RST25i3 device connector (90° angled) M20, 3 pole, male, screw connection, modular, application 250V with PE, 25A, coding color concrete grey, color of housing black

These dimensions will be especially checked at delivery  
Only inspection dimensions  
With /E marked dimensions are only valid for internal use

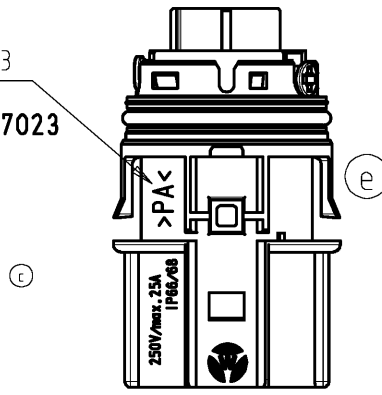
Diese Maße werden bei Abnahme besonders geprüft  
Ausschließlich Prüfmaße  
Mit /E gekennzeichnete Maße sind nur für interne Zwecke gültig



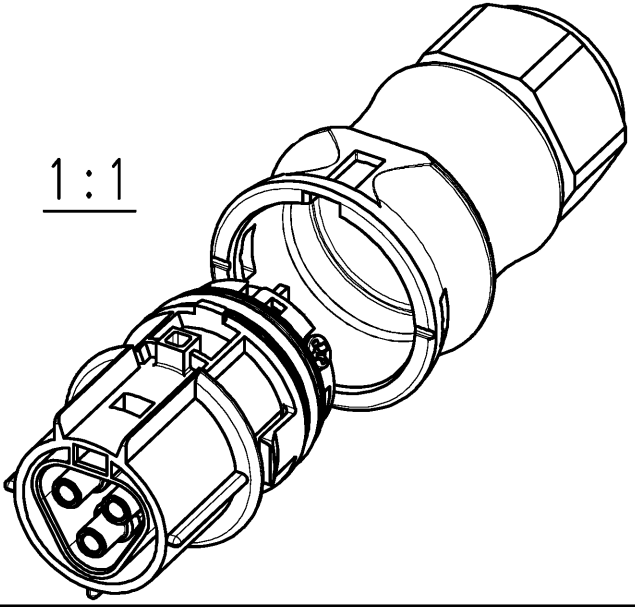
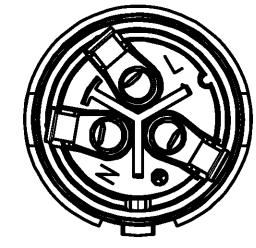
for cable diameter 10-14mm  
für Kabeldurchm. 10-14mm  
color: black, similar RAL 9005  
Farbe: schwarz, ähnl. RAL 9005



color: grey, similar RAL 7023  
Farbe: betongrau, ähnl. RAL 7023



A-A



Type: RST2513S B1 ZR2SV GR03

Verpackungseinheit: je 100 Stück  
packaging unit: per 100

Tolerierung Size ISO 14405 (E) / Tolerance system Size ISO 14405 (E). (This ISO-standard describes the envelope principle. According to the envelope principle the deviations of form and parallelism are limited by the size tolerances).				nein/no <input checked="" type="checkbox"/> Stoffverbots- und Deklarationsliste nach WN 5020.010 ist einzuhalten. Conformity with Wieland document WN 5020.010 e (list of prohibited / declarable hazardous substances) to be declared!			
Freitoleranz nach General tolerance		CAD - Zeichnung, keine manuellen Änderungen CAD - drawing, no manual modifications allowed		1. Verwendung: - First Use:		Blatt: 1 von 1 Sheet: of 1	
		Werkstoff/Material		2005	Tag/Date	Name	
				gezeichnet drawn	16.09.	Kneitz	
e		12.04.2016/		geprüft checked	-	-	
d		23.02.2012/		Normgepr. Stand. check	-	-	
c		12.09.2006/		Ersatz für/Replacement for: -			
b		23.02.2006/		Type		Benennung/Title	
a		21.10.2005/		RST2513S		BUCHSENTEIL MIT ZUGENTLASTUNG	
Index		Datum / Blatt Date / Sheet		B1GR2S GR03		female connector with cord grip	
Änderung/Revision		www.wieland-electric.com		Schraubanschluss ohne Drahtschutz/screw-connection without wire protection			

Weitergabe sowie Vervielfältigung dieses Dokuments, Verwertung und Mitteilung seines Inhalts sind verboten, soweit nicht ausdrücklich gestattet.  
The reproduction, distribution and utilization of this document as well as the communication of its contents to others without express authorization is prohibited.