

Data sheet

Commercial Art.No.: 96.021.4153.1

Connector RST20I2S B13ZR2 SW

RST20i3/2 connector, 2 pole, female, screw connection, application 250V, 20A, for cable diameters 10-14mm, coding color black, color of housing black



Commercial Art.No.	96.021.4153.1
EAN	4015573904378
Order Unit	1

Certificates / Approvals



Technical data

General

Rated current	20 A
Rated voltage	250 V
Rated impulse voltage	4 kV
strain relief	yes
Pollution degree	3
Lockable	self-locking (unlocking by tool)
Color of coding/ contact carrier	black
Marking of poles	L, N
Color of housing inclusive strain relief	black

Connection Data

Cable diameter max.	14 mm
Cable diameter min.	10 mm
Connection cross section solid mm ² max.	6 mm ²
Connection cross section solid mm ² min.	0.75 mm ²
Connection cross section solid AWG min.	16 AWG
Connection cross section solid AWG max.	10 AWG
Connection cross section fine stranded mm ² max.	6 mm ²
Connection cross section fine stranded mm ² min.	0.75 mm ²
Terminations per pole	1
Connection cross section stranded mm ² min.	0.75 mm ²
Connection cross section stranded mm ² max.	6 mm ²
Connection cross section stranded AWG min.	16 AWG
Connection cross section stranded AWG max.	10 AWG
sheath strip length	26.5 mm
Wire strip length	8 mm

Model

Model	female
Connection type	screw connection
Degree of protection (IP)	IP66/68 (3m;2h) /IP69

Material

Housing material	Polyamide
halogen free	yes
Contact material	CuZn
Fire load	0.292 kWh
Insulation components continuous temperature	100 °C
Surface finish	Silver-plated

Dimensions

Length	82 mm
Width	34.6 mm
Height	34.6 mm

Classification

ECLASS 11	
ECLASS 8.1	27440605
ETIM 7.0	EC002560
ETIM 6.0	EC002560
ETIM 5.0	EC002560
ETIM 4.0	EC002560

Note

Note	RST® terminals with screw clamping allow the connection of conductors without special preparation (without ferrules) according to EN 60999-1.
------	---

Product compliance

ROHS conformity status	Compliant/Exempted
ROHS exceptions	III-6(c)
REACH-SVHC conformity status	Duty-To-Declare
REACH-SVHC substances	Lead
REACH-SVHC CAS numbers	7439-92-1

Accessories

Commercial Art.No.:	Article-type description:	Description:
99.414.6205.2	Cover for female connector SW	RST20i3/2 cover piece, for covering unused female connectors, with fastening belt, color schwarz
Z5.564.4553.1	Cover for female connector SW	RST20i3/2 cover piece, for covering unused female connectors, color black

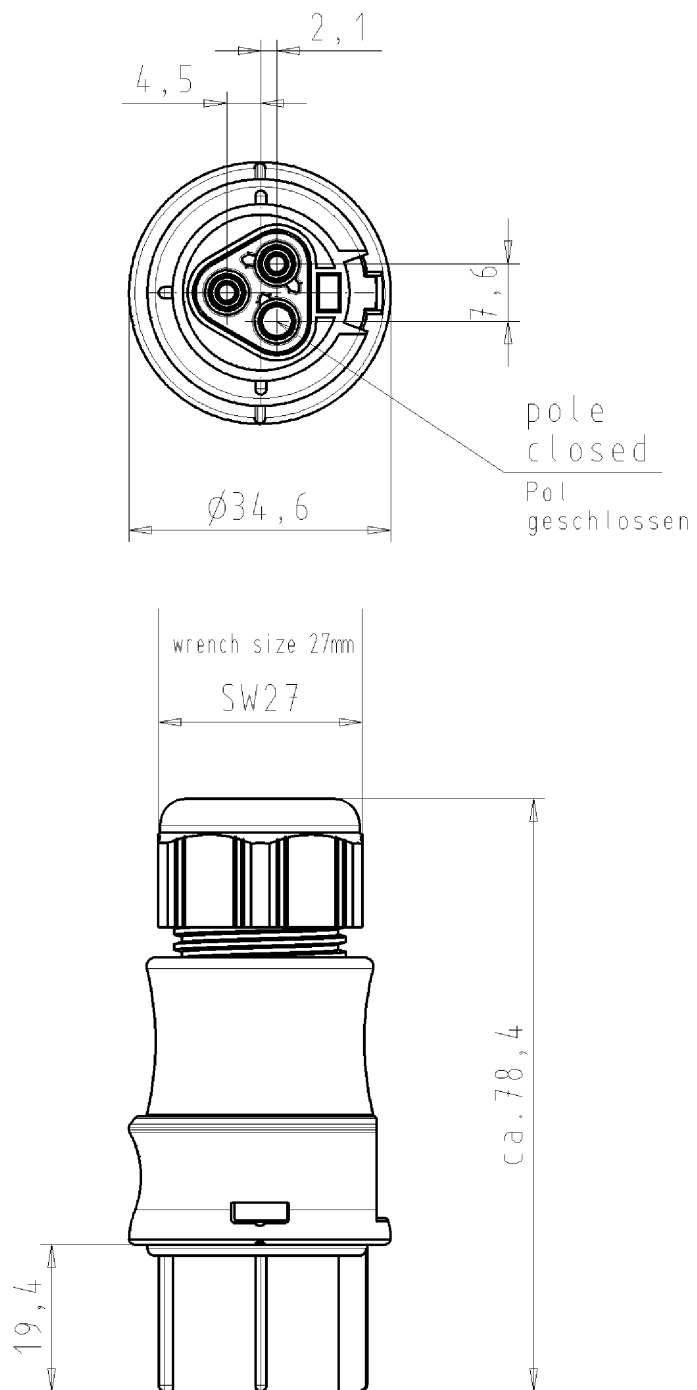
Fits with

Commercial Art.No.:	Article-type description:	Description:

96.020.0153.1	Distributor RST20I2V 3P1 F V SW	RST20i3/2 distribution block, 2 pole, application 250V, 20A, 1 input and 3 outputs, with fastening option, coding color black, color of housing black
96.022.4153.1	Connector RST20I2S S13ZR2 V SW	RST20i3/2 connector, 2 pole, male, screw connection, application 250V, 20A, for cable diameters 10-14mm, coding color black, color of housing black
96.024.4153.1	Connector RST20I2S S13YR2 V SW	RST20i3/2 connector (90° angled), 2 pole, male, screw connection, application 250V, 20A, for cable diameters 10-14mm, coding color black, color of housing black

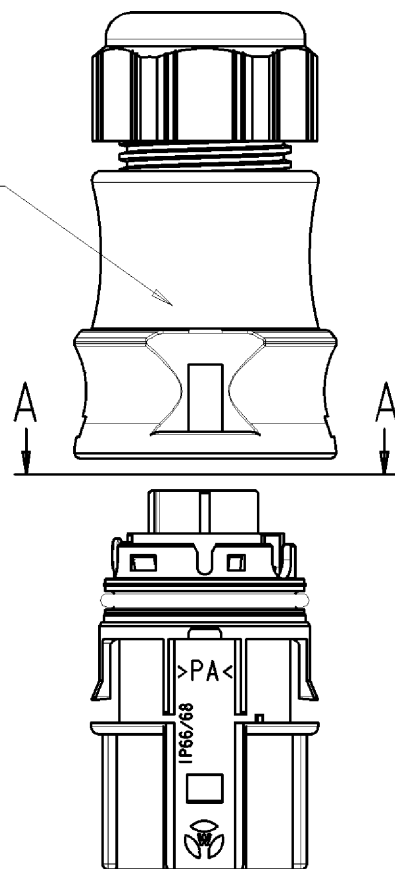
These dimensions will be especially checked at delivery
 Only inspection dimensions
 With /E marked dimensions are only valid for internal use

Diese Maße werden bei Abnahme besonders geprüft
 Ausschließlich Prüfmaße
 Mit /E gekennzeichnete Maße sind nur für interne Zwecke gültig



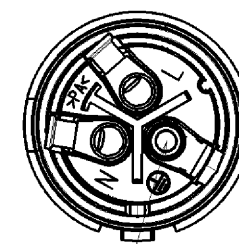
Auslieferungszustand
delivery status

for cable diameter 10-14mm
 für Kabeldurchm. 10-14mm

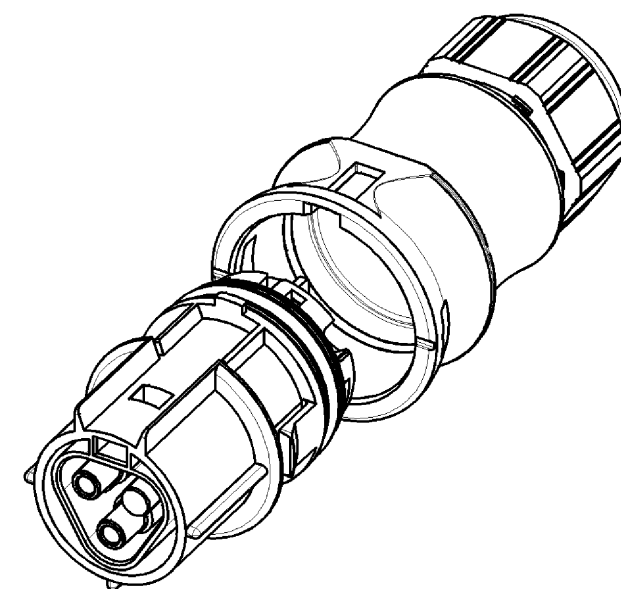


Verpackungseinheit: je 100 Stück
 packaging unit: per 100

A-A



pole
 unassembled
 Pol
 unbestückt



Weitergabe sowie Vervielfältigung dieses Dokuments, Verwertung und Mitteilung seines Inhalts sind verboten, soweit nicht ausdrücklich gestattet. Die Reproduktion, Distribution und Nutzung dieses Dokuments, sowie die Kommunikation der Inhalte mit Dritten, ist ohne schriftliche Genehmigung der Wieland-Werke AG ausdrücklich untersagt.

Teile-Nr./ part-nr.	Farbe:/ color:	Type
96.021.4153.1	schwarz, ähnl. RAL 9005/ black, similar to RAL 9005	RST2012S B1 ZR2 SW
96.041.4153.0	lichtgrau, ähnl. RAL 7035/ lightgrey, similar to RAL 7035	RST2012S B1 ZR2 GL

Tolerierung nach DIN 7167/Tolerance system acc. to DIN 7167. (This DIN-standard describes the envelope principle. According to the envelope principle the deviations of form and parallelism are limited by the size tolerances).				ja/yes <input checked="" type="checkbox"/> Stoffverbots- und Deklarationsliste nach UU-TQM-05/03 ist einzuhalten. Conformity with Wieland document UU-TQM-05/03 (list of prohibited / declarable hazardous substances) to be declared!			
Freitoleranz nach General tolerance		CAD - Zeichnung, keine manuellen Änderungen CAD - drawing, no manual modifications allowed		1. Verwendung: First Use: -		Blatt: 1 von 1 Sheet: of 1	
/		Werkstoff/Material		2006 Tag/Date Name		Zeichnung Nr./Drawing No. Index	
/		Maßstab/Scale		gezeichnet drawn 30.03. Kneitz		T 96.021.4153.0 01K	
/		1:1		geprüft checked - -		Maße in mm/Dimensions are in mm	
/		Vol. mm ³ Öl./Surf. mm ²		Nicht gepr. Stand. check - -			
/		Ersatz für/Replacement for: -		Type		Benennung/Title	
/		wieland		BUCHSENTEIL MIT ZUGENTLASTUNG			
/		Elektrische Verbindungen		female connector with cord grip		Schraubanschluss ohne Drahschutz/screw-connection without wire protection	
Index Datum / Blatt Date / Sheet		Änderung/Revision					