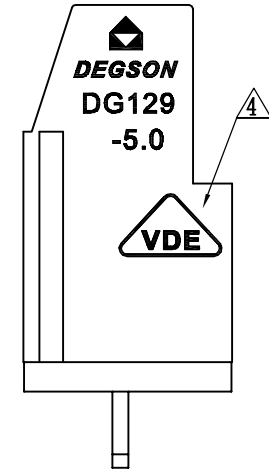
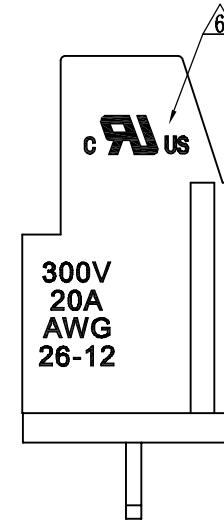
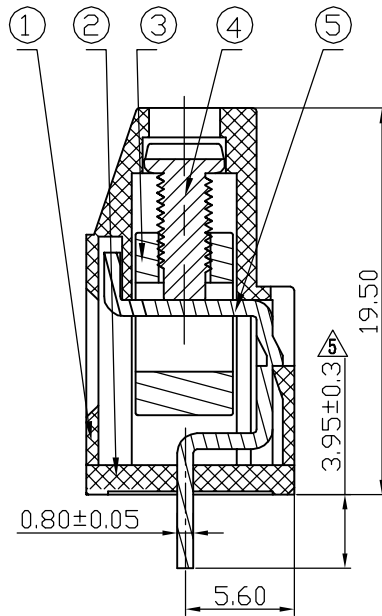
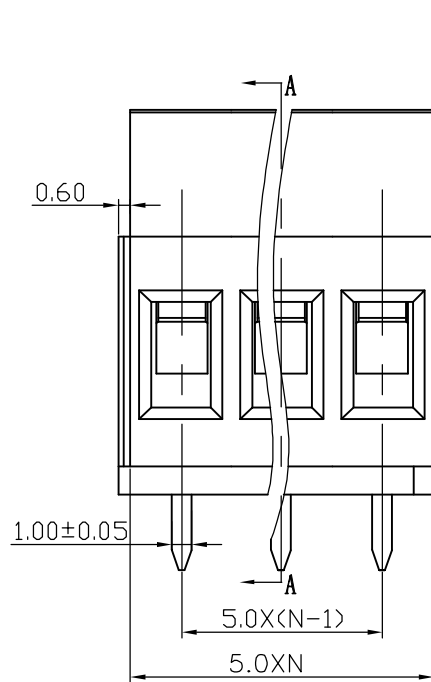
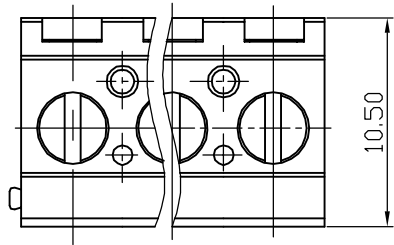


REVISION RECORD				
REV	ECD	DESCRIPTION	DRFT	DATE
△		Drawing Revise	Haoyh	03/29/06
△		增加VDE认证	CSX	01/12/07
△		出脚由3.85改为3.95±0.30	CSX	02/03/07
△		修改U刻字	CSX	08/06/07
△		更新图面	LJH	01/18/08

- Notes:
1. Pitch: 5.00mm
 2. Rated voltage/current: UL 300V/20A
VDE 250V/20A
 3. Operation temperatures: -40°C ~ +105°C
 4. Withstanding Voltage: AC2000V/1min
 5. Insulation Resistance: 5000MΩ/DC1000V
 6. Wire Range: 26~12AWG, 2.5mm²
 7. Max. Torque Value: M3, 5.10kgf.cm
 8. Undimensioned Tolerances:

Pitch range in mm			Nominal dimension range in mm					
to	over	over	to	over	over	over	over	
6	10	24	30	60	100	150		
±0.10	±0.15	±0.25	±0.2	±0.3	±0.5	±0.7	±1.0	
							0.05/10	



ITEM	NAME OF PART	NO. OF PART	Q'TY	MATERIAL	NOTES
3	DG129-Cage	X000000200(H)	XX	Brass	Ni plated
2	DG129-5.0-Cover	4029COYXXA(H)	1	PA66	UL94V-0
1	DG129-5.0-Housing	4029AOYXXA(H)	1	PA66	UL94V-0

DETACHED LISTS	MM (INCH)	DATE 09/09/05"	宁波高正电子有限公司 DEGSON ELECTRONICS CO., LTD
	TOLERANCES EXCEPT AS NOTED	DATE	
	MM	DATE	
	APPVL	DATE	
0 ±	±	MATERIAL :	NAME
.00 ±	±	G.E :	DG129-5.0-XXP-1Y-00A(H)
.000 ±	±	FINISH:	DRAWING NO. DG129-5.0-E02
ANGLES ± 1°	THIRD ANGLE PROJECTION	SCALE : 1:1	SIZE A3
		DO NOT SCALE DRAWING	REV T7 01/18/08
		SHEET 1	OF 1

5	DG129-Pin header	4029B00010(H)	XX	Barss	SnCe plated
4	DG129-Screws-M3	S000001430(H)	XX	Steel	3 ⁺ Cr Zn