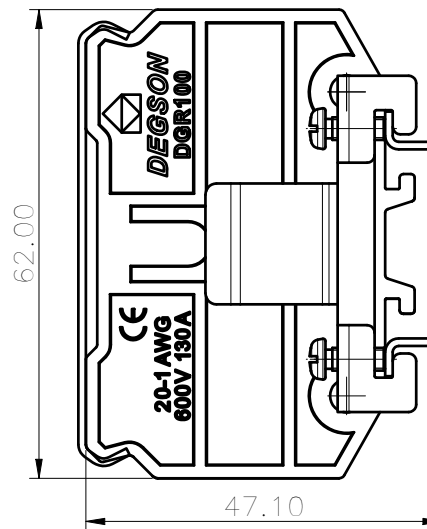
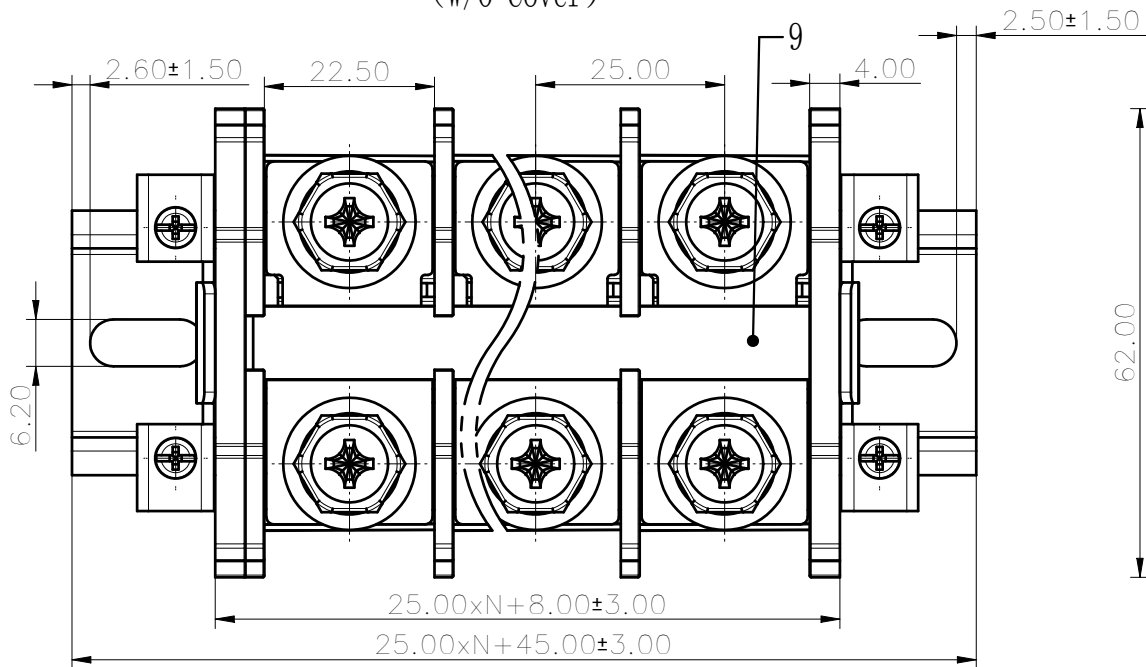


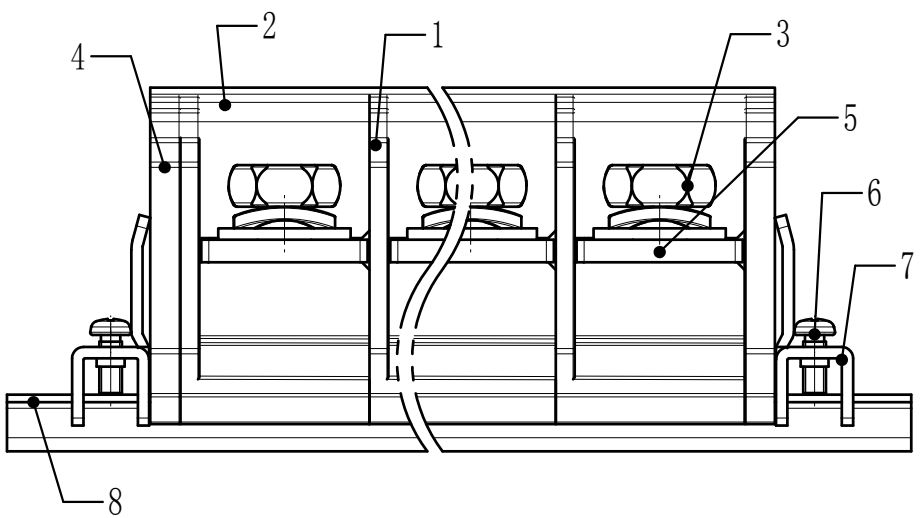
(W/O Cover)



Note: The A&Z(H) in the name means: A(H) and Z(H).

未注公差/General tolerances(mm)													0.1/10
0	>3	>6	>10	>18	>30	>50	>80	>120	>180	>250	>315	>400	
~3	~6	~10	~18	~30	~50	~80	~120	~180	~250	~315	~400	~500	>500
±0.12	±0.18	±0.22	±0.26	±0.31	±0.37	±0.57	±0.80	±0.93	±1.05	±1.15	±1.60	±2.20	±2.50

Transfer or duplication of this document as well as the utilization or communication of its contents are prohibited unless explicit authorization is granted. Violations will be liable for compensation. All rights reserved for patent, utility model or design registrations. 非经书面授权, 否则禁止转让、复制、利用、交加本文件内容。侵犯者将承担赔偿责任。本公司保留对涉及发明、实用新型和外观设计的所有权利。



ITEM	NAME OF PART	MATERIAL	NOTES
9	Tag	PVC	UL94V-0
8	Tramroad	Steel	Zn Plated
7	Fastener	Steel	Zn Plated
6	Screw2	Steel	Zn Plated/M3
5	Current carrier	Copper alloy	Ni Plated
4	Housing2	PC	UL94V-0
3	Screw1	Steel	Zn Plated/M8
2	Cover	PC	UL94V-2
1	Housing1	PC	UL94V-0

UL 标准/UL Standard:	B	C	D
额定电压/电压/Rated Voltage(V)/Current(A)	600/130	600/130	/
螺丝扭矩/Torque Tightening(N·m/Lb.in)	M8, 6.7/60.0		
线径范围(硬线和软线)/Wire Range(rigid and flexible)(AWG/mm²)	20~1 / 0.5~35		
间距/Pitch(mm)/线数范围/Poles	25/N=01~16P		
剥线长度/Stripping length(mm)	17~18		
使用温度范围/Operating temperature(°C)	-40~+125		
符合RoHS环保要求/Conform to RoHS	Yes		

		MATERIAL:	SURFACE/COLOR:
		MAT NO./REV: - / 00	MAT STATUS: 批量
APPD: 蓝贵凡 2022.11.30	NAME	DGR100-XXP-1Y-00A&Z(H)	
CHKD: 曹利彬 2022.11.30	DRAWING NO.	TYPE	DRAWING STATUS
DRFT: 虞倩松 2022.11.30	A4	CUSTOMER DRAWING	已发布
		SCALE	SHEET
		2:1	1/1

图纸版本	ECN	变更描述	设计人	设计日期
REV	ECN	DESCRIPTION	DRFT	DATE