

Data sheet

Commercial Art.No.: 76.350.1535.0

Hood HD GOT GG 15 M20 50 A0

Hood revos HD made of aluminum, for single locking lever with cable gland M20 on the right side (IP54), low version, 15-poles



Commercial Art.No.	76.350.1535.0
EAN	4015573625785
Order Unit	1

Technical data

General

Housing material	aluminum
Color	Grey
Surface	With powder coating
Degree of protection (IP)	IP54
UV resistant	yes
Inflammability class of insulation material acc. with UL94	Other
Operating temperature range min.	-40 °C
Operating temperature range max.	120 °C

Model

Construction	10/15
Locking mechanism	Single locking lever
Cable entry	Sideways
Type of cable	Gland nut
With cable screw gland	yes
Thread size M	20
Thread size PG	
Hinged lid	No
EMC-version	No
Length	73 mm
Width	33 mm
Height	64 mm

Classification

ECLASS 11	
-----------	--

ECLASS 8.1	27440202
ETIM 7.0	EC000437
ETIM 6.0	EC000437
ETIM 5.0	EC000437
ETIM 4.0	EC000437
ETIM 3.0	EC000437

Product compliance

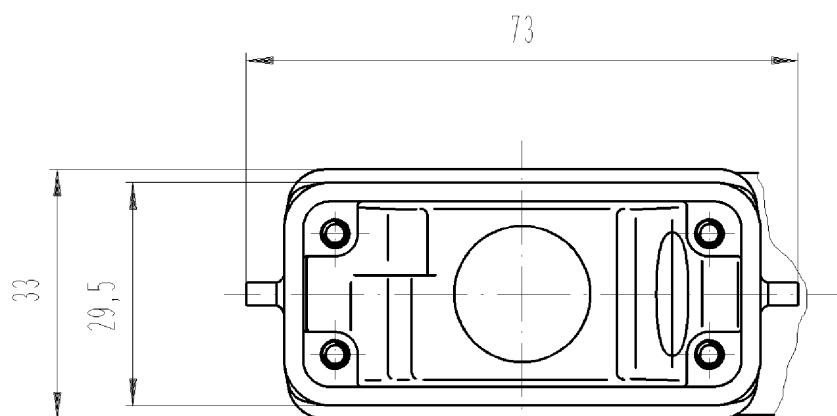
ROHS conformity status	Compliant/Exempted
ROHS exceptions	III-6(c)
REACH-SVHC conformity status	Duty-To-Declare
REACH-SVHC substances	Lead
REACH-SVHC CAS numbers	7439-92-1

Fits with

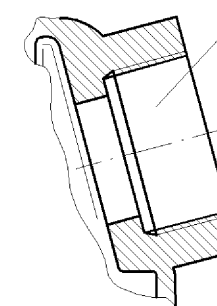
Commercial Art.No.:	Article-type description:	Description:
73.300.1053.0	Female insert HD BUS 10 2,5 25 AG	revos BASIC HD 10 pole + ground, female insert 250V/16A, screw connection
73.310.1053.0	Male insert HD STS 10 2,5 25 AG	revos BASIC HD 10 pole + ground, male insert 250V/16A, screw connection
73.700.1553.0	Female insert HD BUC 15 25	revos HD 15 pole + ground, female insert, 250V/10A, crimp connection
73.710.1553.0	Male insert HD STC 15 25	revos HD 15 pole + ground, male insert, 250V/10A, crimp connection

These dimensions will be especially checked at delivery
 Only inspection dimensions
 With /E marked dimensions are only valid for internal use

Diese Maße werden bei Abnahme besonders geprüft
 Ausschließlich Prüfmaße
 Mit /E gekennzeichnete Maße sind nur für interne Zwecke gültig

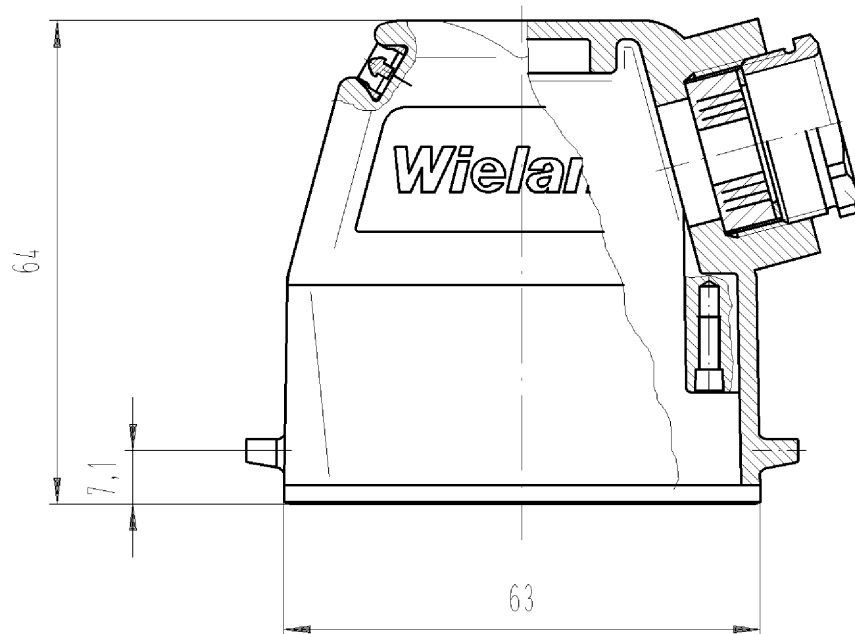


Ausführung .2/ version .2



mit Zwischenstützen M 20
 with intermediate support M20

Weitergabe sowie Vervielfältigung dieses Dokuments, Verwertung und Mitteilung seines Inhalts sind verboten, soweit nicht ausdrücklich gestattet.
 The reproduction, distribution and utilization of this document as well as the communication of its contents to others without express authorization is prohibited.



Verschraubung M20
 screw connection M20

Ausführung .0 / version .0

Weitere Daten siehe Katalog
 further data see catalog

Teile-Nr. part-nr.	Typ type
76.350.1535.0	HD GOT GG 15 M20 50 A0
76.350.1535.2	HD GOT GG 15 M20 50 A2

Tolerierung nach DIN 7167/Tolerance system acc. to DIN 7167. (This DIN-standard describes the envelope principle. According to the envelope principle the deviations of form and parallelism are limited by the size tolerances).				ja/yes <input checked="" type="checkbox"/> Stoffverbots- und Deklarationsliste nach UU-TQM-05/03 ist einzuhalten. Conformity with Wieland document UU-TQM-05/03 (list of prohibited / declarable hazardous substances) to be declared!			
Freitoleranz nach General tolerance		CAD - Zeichnung, keine manuellen Änderungen CAD - drawing, no manual modifications allowed		1. Verwendung: First Use: -		Blatt: 1 von 1 Sheet: of 1	
/		Werkstoff/Material		2008	Tag/Date	Name	
/		Maßstab/Scale		gezeichnet drawn	06.02.	Schmitt J.	
/		%		geprüft checked	-	-	
/		Vol. mm ³ Ofl./Surf. mm ²		Normgepr. Stand. check	-	-	
/		Ersatz für/Replacement for: -		Zeichnung Nr./Drawing No.			
/		wieland		T 76.350.1535.0 01K			
/		Elektrische Verbindungen		Maße in mm/Dimensions are in mm			
Index Datum / Blatt Date / Sheet		Type		Benennung/Title			
Änderung/Revision		wieland		GEHAEUSE_OBERTEIL			
				Größe/size 15 M 20 schmale Seite/narrow side Hood with intermediate support M20			

763501535001K_4_CADW1042_Schmitt 2008-02-06T10:05:09 1.000