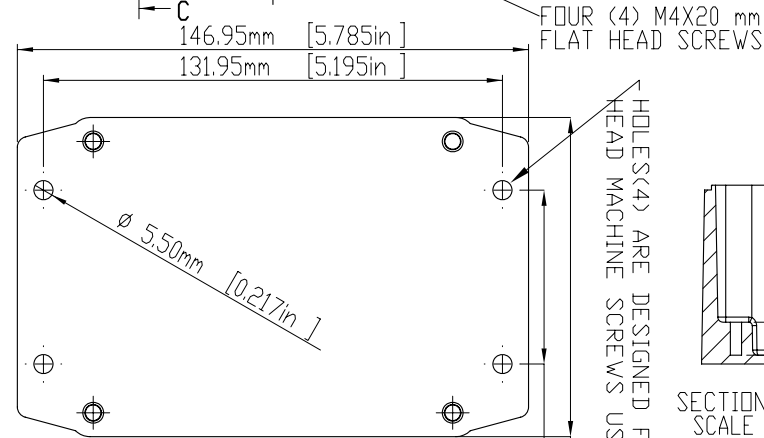
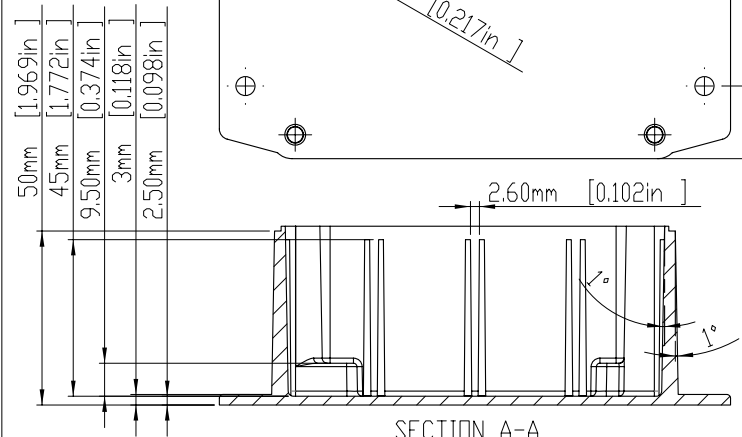


HOLE(S) ARE DESIGNED FOR SELF-TAPPING SCREWS USE.

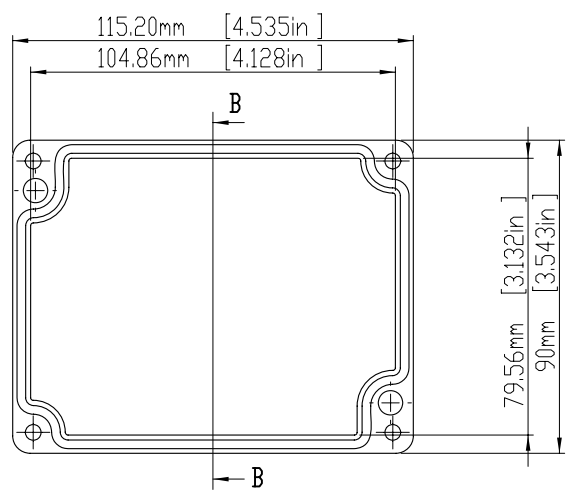


FOUR (4) M4X20 mm FLAT HEAD SCREWS

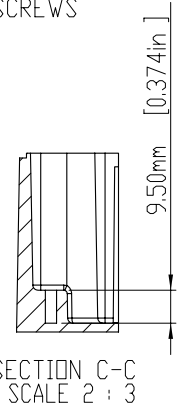
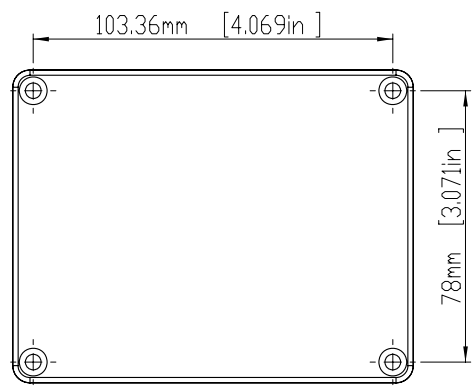
HOLE(S) ARE DESIGNED FOR MS PAN HEAD MACHINE SCREWS USE.



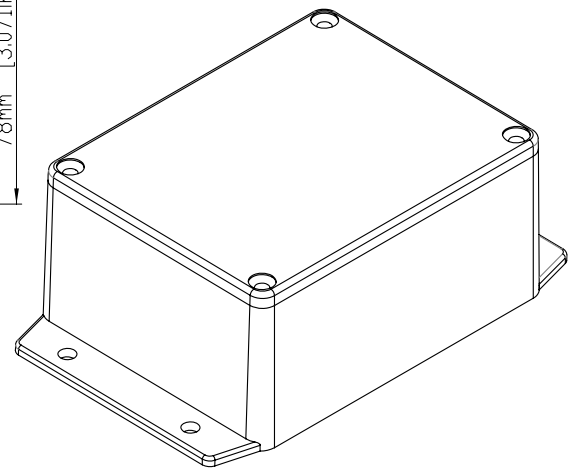
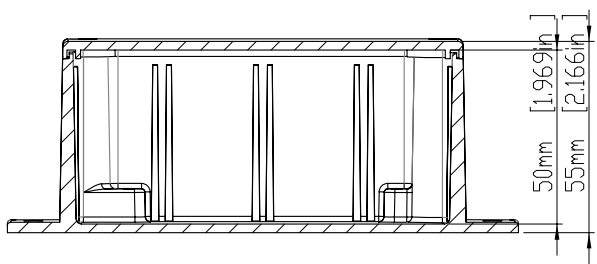
SECTION A-A
SCALE 2 : 3



SECTION B-B
SCALE 2 : 3



SECTION C-C
SCALE 2 : 3



TOLERANCES: +/- 0.30 mm (+/- 0.012in)

| | | | | | | | | | |
|------------------------------------|----|----------|----|------------|----|------------------------|----------|-----------|------------|
| 宜又實業有限公司 GAINTA INDUSTRIES LTD. | 繪圖 | DRA'D BY | 日期 | DATE | 材質 | MATE. | 圖名TITLE: | 圖號DWG NO: | 版次REVISID: |
| | | JACKY | | 2011/02/01 | | ALUMINIUM ALLOY ADC-12 | G113MF | | A |