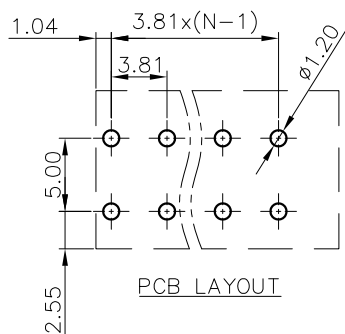
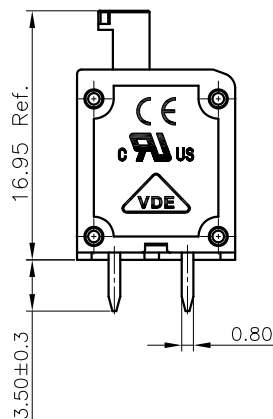
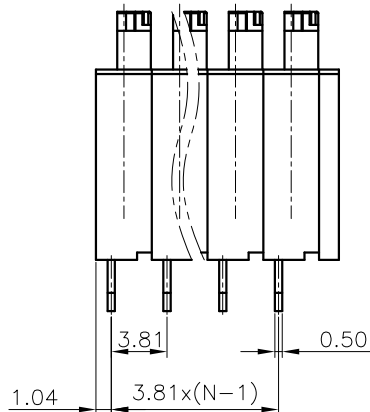
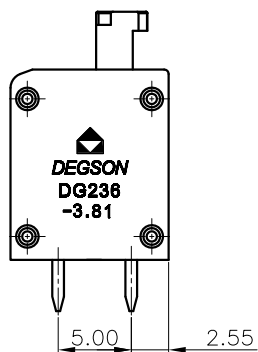
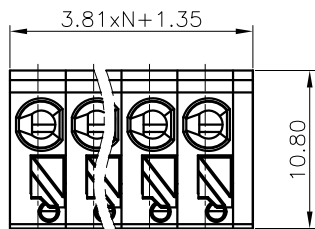


REVISION RECORD

REV	ECN	DESCRIPTION	DRFT	DATE
-----	-----	-------------	------	------



NOTES1:

- UL Standard
- 1.Rated voltage/current : 300V / 8A
- 2.Wire range : 20~16AWG

IEC Standard

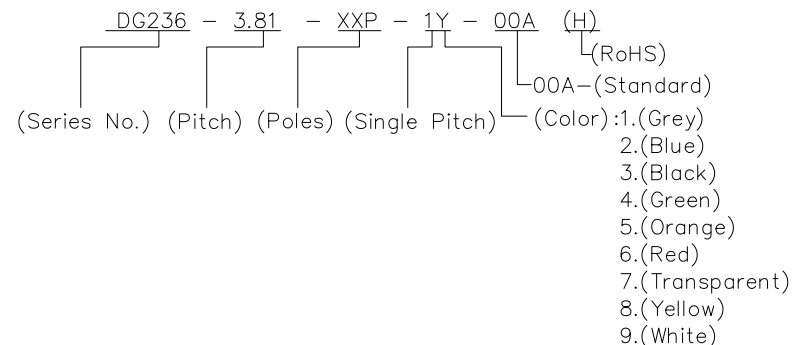
- 1.Rated voltage/current : 200V / 10A
- 2.Wire range : 0.2~1.5mm²

NOTES2:

- 1.Dimension shall be interpreted per ASME Y14.5-2009
- 2.Pitch : 3.81mm, Poles : N=01~XXP
- 3.Stripping length : 8-9mm
- 4.Withstanding voltage : AC2000V/1Min.
- 5.Operating temperature : -40°C~+105°C
- 6.Undimensioned tolerances:

Pitch range in mm		Nominal dimension range in mm					-	∩	□
TO	Over	Over	TO	Over	Over	Over	0.1/10		
6	6 TO 10	10 TO 24	30	30 TO 60	60 TO 100	100 TO 150		<	
	±0.15	±0.20	±0.30	±0.30	±0.50	±0.70	±1.00	±1.30	±2'

7.RoHS Compliance



DETACHED LISTS	PART NO.:	宁波高松电子有限公司 NINGBO DEGSON ELECTRICAL CO., LTD			
	APPD:	NAME:	DG236-3.81-XXP-1Y-00A(H)		
	CHKD:	TITLE:	CUSTOMER DRAWING	REV	D0
	DRFT:	DRAWING NO.:	/	SHEET	1/1
THIRD ANGLE PROJECTION		DRAWING NO.: / MM (INCH) DO NOT SCALE DRAWING	SCALE	1:1	