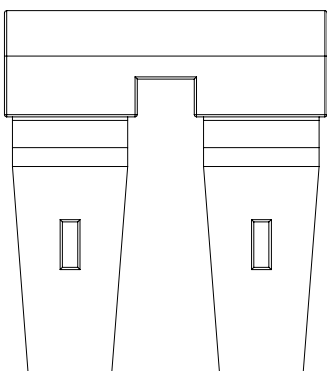
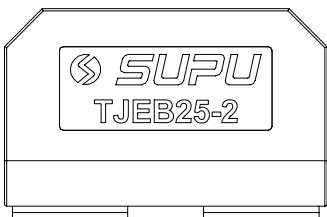
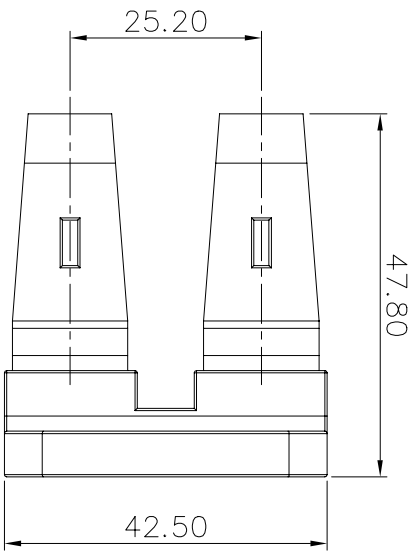
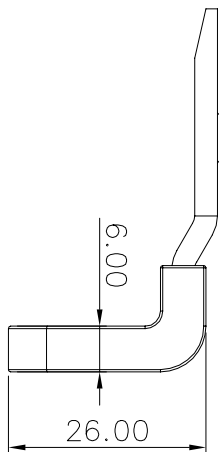


Transmittal, reproduction, dissemination and/or editing of this document as well as utilization of its contents and communication thereof to others without express authorization are prohibited.

未经允许禁止传输、复制、编辑该文档，以及利用其内容进行交流

REVISION RECORD			
REV	ECN	DESCRIPTION	DATE



NOTES:  
IEC Standard  
1. Rated Voltage/Current :

Rated current(A)	232	1 boundary bridge
Rated current(A)	130	2-4 boundary bridges

Material:

Insulator	PA66	UL94 V-0
Conductor	Copper alloy	Sn plated

General information:

- 1.Dimension shall be interpreted per ASME Y14.5-2009
- 2.Operating temperature: -40°C~+105°C
- 3.RoHS Compliance
- 4.Undimensioned Tolerances:

Pitch Range		Nominal Dimension		Range		Tolerance	
mm	In	mm	In	mm	In	mm	In
TO	6	TO	50	TO	60	TO	100
6	10	24	30	60	100	150	150
±0.15	±0.20	±0.30	±0.50	±0.70	±1.00	±1.30	±2"

订货号 Order No.	TJEB25-2	名称 Name	TJEB25两位 跨接件	未注公差 Tolerance	表面 Surface
项目 Item	签字 Signature	图号 Drawing No.	PRM003284	版本号 Revision Number	VDI21
设计 Design	日期 Date	材料 Material	Notes	重量 Weight	比例 Scale
审核 Check	2021.03.19	411014983 (灰色)	第1页/共1页 1 of 1	/	1:1
工艺 Process	-	物料号 Item No.			
标准化 Unity	-				
批准 Approve	1w1				
	2021.03.19				

NINGBO SUPU ELECTRONICS CO., LTD.	
-----------------------------------	--