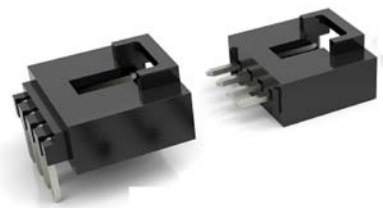
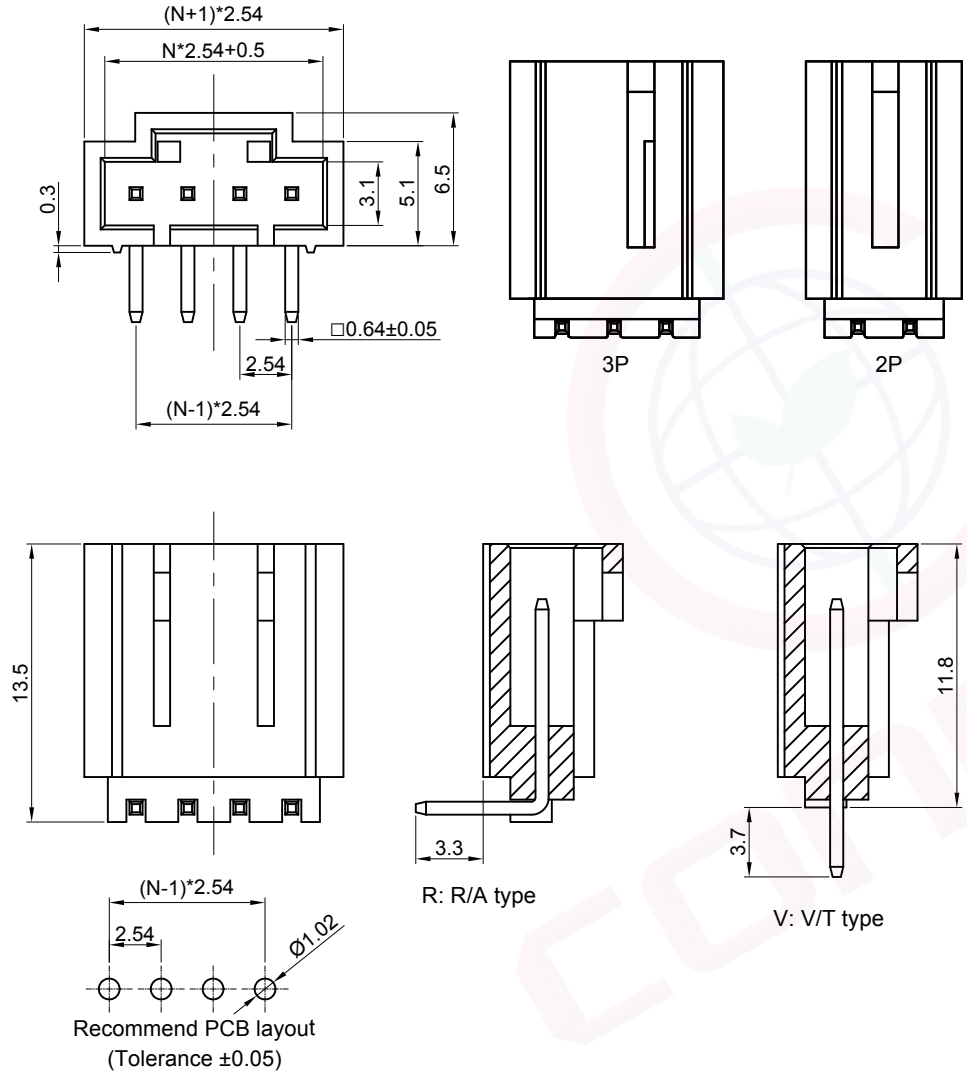


Dept	
Qty	
DC	1
ED	1
IE	1
ISO	1
PD	1
R&D	1
SD	1
QA	1
QC	1
QF	1

The information provided herein is from CONNELY Electronic Co., Ltd. and is confidential. Any disclosure to a party other than the recipient is prohibited. The intellectual properties and its rights contained herein, including but not limited to, trademarks, patents, copyrights, trade secrets, and technical know-how, are owned exclusively by CONNELY or its affiliates. Unauthorized use or reproduction of any part of this document is strictly prohibited. CONNELY may enforce its intellectual property rights at its own discretion, failures or delays to exercise such rights does not constitute a waiver of such rights.

N=No.of contact



(Series Image-Reference Only)

REV.	DESCRIPTION	DRAWN	CHECKED	APPROVED
A	NEW RELEASE	JLZ 03/15/16'	HZW 03/15/16'	LJC 03/15/16'
B	DRAWING UPDATE	JLZ 12/24/20'		

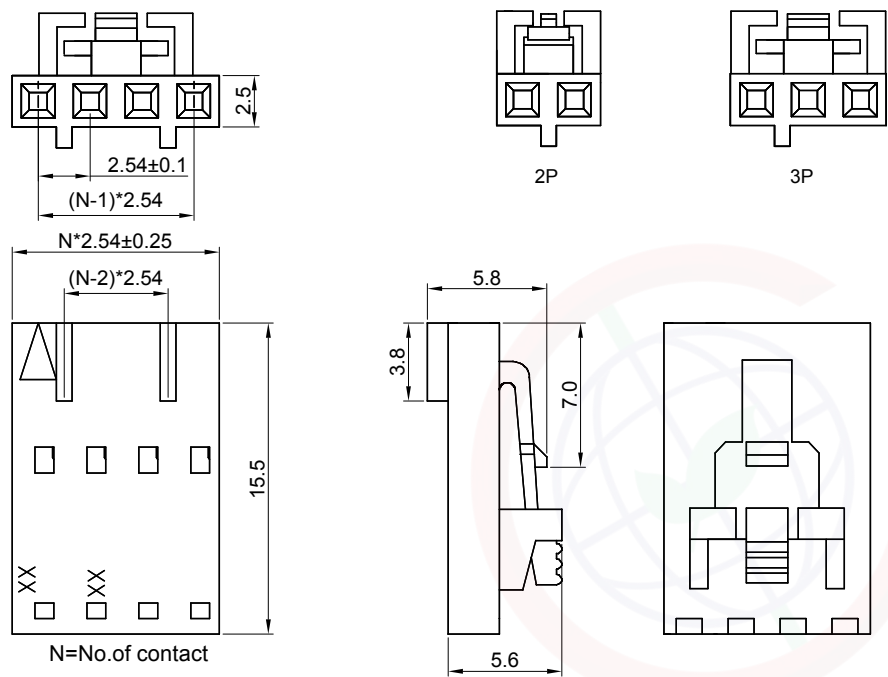
- Notes:
- Specifications:
- Contact Resistance: 30mΩ Max.
 - Insulation Resistance: 1000MΩ Min.
 - Dielectric Withstanding Voltage: 600V AC(rms) For 1 Minute.
 - Current Rating:3A.
 - Voltage Rating:250V AC rms.
 - Temperature: -25°C~+85°C.
- Materials:
- Contact Material: Copper Alloy.
 - Contact Plating: Gold Plating Over Nickel.
 - Insulator Materials: Nylon,Black,UL94-V0.
- Product Number Code:
- DS1070-06 - X X X X X
- Housing Color
B: Black
 - Contact Plating
8: Gold flash
 - Mounting type
R: R/A type
V: V/T type
 - Connector type
M: Male
 - No.of contact
2 to 18

GENERAL TOLERANCE		ANGLE TOLERANCE		PROJECTION		TITLE	
X.	±0.60	X.	±5°	UNITS	mm	2.54mm Wafer R/A & V/T Type	
.X	±0.38	.X	±3°	SHEET SIZE	A4	SERIES	DS1070-06 SERIES
.XX	±0.25	.XX	±2°	晨翔电子有限公司 CONNELY CONNELY ELECTRONIC CO., LTD			
DRAWING TYPE		CUSTOMER					
SCALE	1:1	SHEET	1 OF 2				
DRAWING NO.		C-DS1070-06-XXXXXX-B					

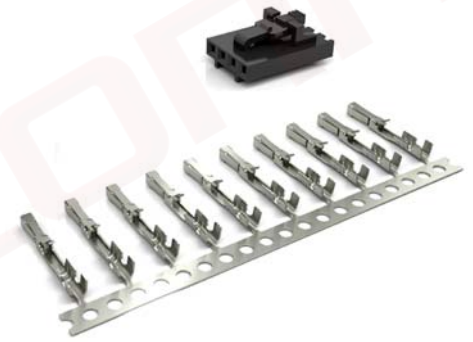
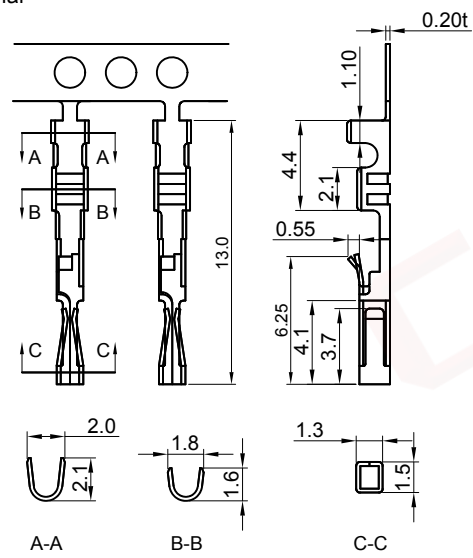
Dept	
Qty	
DC	1
ED	1
IE	1
ISO	1
PD	1
R&D	1
SD	1
QA	1
QC	1
QF	1

The information provided herein is from CONNELY Electronic Co., Ltd. and is confidential. Any disclosure to a party other than the recipient is prohibited. The intellectual properties and its rights contained herein, including but not limited to, trademarks, patents, copyrights, trade secrets, and technical know-how, are owned exclusively by CONNELY or its affiliates. Unauthorized use or reproduction of any part of this document is strictly prohibited. CONNELY may enforce its intellectual property rights at its own discretion, failures or delays to exercise such rights does not constitute a waiver of such rights.

Housing



Terminal



(Series Image-Reference Only)

REV.	DESCRIPTION	DRAWN	CHECKED	APPROVED
A	NEW RELEASE	JLZ 03/15/16'	HZW 03/15/16'	LJC 03/15/16'
B	DRAWING UPDATE	JLZ 12/24/20'		

Notes:
Specifications:
1. Contact Resistance: 30mΩ Max.
2. Insulation Resistance: 1000MΩ Min.
3. Dielectric Withstanding Voltage: 600V AC(rms) For 1 Minute.
4. Current Rating:3A.
5. Voltage Rating:250V AC rms.
6. Temperature: -25°C~+85°C.
Materials:
1. Contact Material: Copper Alloy.
2. Contact Plating: Tin Plating Over Nickel.
3. Insulator Materials: Nylon,Black,UL94-V0.
Product Number Code:

Housing:
I - DS1070-06 - S C B 0 X
Poles Of Housing 02~20
Housing Color B: Black

Terminal:
T - DS1070-06 - S C 6 0 0
Contact Plating 6: Tin

GENERAL TOLERANCE		ANGLE TOLERANCE		PROJECTION	TITLE
X.	±0.60	X.	±5°	mm	2.54mm Housing & Terminal
.X	±0.38	.X	±3°	A4	SERIES DS1070-06 SERIES
.XX	±0.25	.XX	±2°		
DRAWING TYPE		CUSTOMER		晨翔电子有限公司 CONNFLY CONNELY ELECTRONIC CO., LTD	
SCALE		1:1			
DRAWING NO.		C-DS1070-06-XXXXXX-B			