



#### FEATURES:

- RoHS Compliant
- Ultra wide 4:1 Input range
- Adjustable Output Voltage
- Remote On/Off
- 2" x 1" package
- Soft start
- Industrial temperature range -40 to +85°C
- High efficiency up to 91%
- No minimum load required

#### Models Single output



Model	Input Voltage (V)	Output Voltage (V)	Output Current max (A)	Maximum capacitive load (μF)	Efficiency (%)
AM20EW-2403SZ	9-36	3.3	5.5	10000	89
AM20EW-2405SZ	9-36	5	4	6800	91
AM20EW-2412SZ	9-36	12	1.67	1000	89
AM20EW-2415SZ	9-36	15	1.33	680	89
AM20EW-4803SZ	18-75	3.3	5.5	10000	89
AM20EW-4805SZ	18-75	5	4	6800	91
AM20EW-4812SZ	18-75	12	1.67	1000	89
AM20EW-4815SZ	18-75	15	1.33	680	89

Add suffix "-K" for optional heatsink

#### Models Dual output

Model	Input Voltage (V)	Output Voltage (V)	Output Current max (mA)	Maximum capacitive load (μF)	Efficiency (%)
AM20EW-2405DZ	9-36	±5	±2	±2200	89
AM20EW-2412DZ	9-36	±12	±0.835	±470	88
AM20EW-2415DZ	9-36	±15	±0.665	±330	89
AM20EW-4805DZ	18-75	±5	±2	±2200	89
AM20EW-4812DZ	18-75	±12	±0.835	±470	88
AM20EW-4815DZ	18-75	±15	±0.665	±330	89

Add suffix "-K" for optional heatsink

#### Input Specifications

Parameters	Nominal	Typical	Maximum	Units
Voltage range	24 48	9-36 18-75		VDC
Under voltage lockout	24 48	7.9 16	8.6 17.8	VDC
Filter	π (Pi) Network			
Turn on Transient process time		250		μs
Transient Recovery deviation			±3	%
Start up time		20		ms
Absolute Maximum Rating	24 48	-0.7~50 -0.7~100		VDC
Peak Input Voltage time			100	ms
On/Off Control	ON: 3 ~12VDC or open circuit OFF: 0 ~ 1.2VDC or Short circuit between pin 2 and pin 1			
OFF idle current		5		mA
Input Reflected ripple current		20		mA p-p

### Isolation Specifications

Parameters	Conditions	Typical	Rated	Units
Tested I/O voltage	3 sec		1600	VDC
Case/Input Isolation tested voltage	3 sec	1600		VDC
Resistance		>1000		MOhm
Capacitance		1200		pF

### Output Specifications

Parameters	Conditions	Typical	Maximum	Units
Voltage accuracy		±1		%
Over voltage protection		Zener diode clamp		
Over current protection		120		% of FL
Short Circuit protection		Continuous		
Short Circuit restart		Auto recovery		
Line voltage regulation	HL-LL	±0.5		% of Vin
Load voltage regulation (Single)	0-100% load	±0.5		%
Load voltage regulation (Dual)	Balanced load	±1		%
Cross regulation (Dual output model)	25% load on first output and 100% load on second output	±5		%
Temperature coefficient		±0.02		%/°C
Ripple & Noise	At 20MHz Bandwidth	75		mV p-p
Voltage adjustment range		±10		%

### General Specifications

Parameters	Conditions	Typical	Maximum	Units
Switching frequency	100% load	330		KHz
Operating temperature	With derating above 65°C	-40 to +85		°C
Storage temperature		-40 to +125		°C
Max Case temperature			105	°C
Cooling		Free air convection		
Humidity			95	% RH
Case material		Nickel coated copper with non conductive base		
Weight		30		g
Dimensions (L x W x H)	Tolerance ±0.5mm (±0.02 inches)	2.00 x 1.00 x 0.40 inches	50.80 x 25.40 x 10.16 mm	
MTBF		>560 000 hrs (MIL-HDBK -217F, Ground Benign, t=+25°C)		

NOTE: All specifications in this datasheet are measured at an ambient temperature of 25°C, humidity<75%, nominal input voltage and at rated output load unless otherwise specified.

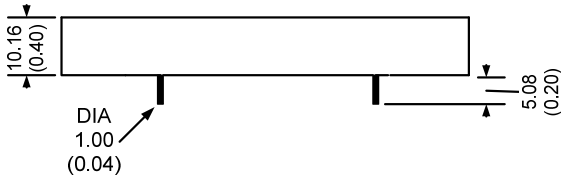
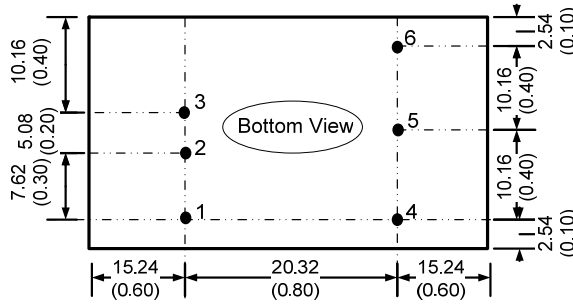
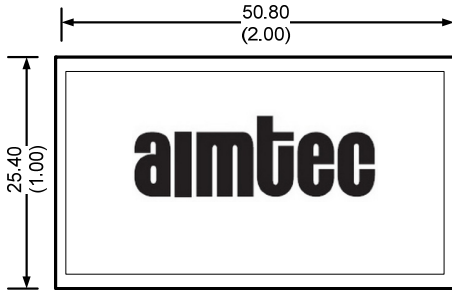
### Safety Specifications

Parameters	
Agency Approvals	CE
Standards	EN55022, class A - with external circuit recommended on page 5
	EN55024
	EN61000-4-2, criteria B
	EN61000-4-3, criteria A
	EN61000-4-4, criteria B – with external filter capacitor, 220µF/100V
	EN61000-4-5, criteria B – with external filter capacitor, 220µF/100V
	EN61000-4-6, criteria A
EN61000-4-8, criteria A	
	NOTE: Designed to meet IEC/EN 60950-1

### Pin Out Specifications

Pin	Single	Dual
1	On/Off Control	On/Off Control
2	-V Input	-V Input
3	+V Input	+V Input
4	-V Output	-V Output
5	Trim	Common
6	+V Output	+V Output

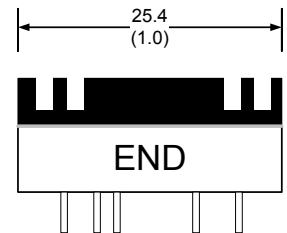
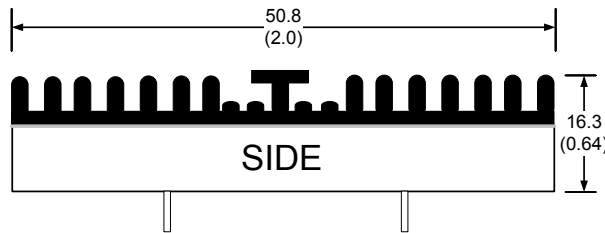
### Dimensions



Notes:  
All dimensions are typical  
in millimeters (inches).  
Tolerance  $\pm 0.25$  ( $\pm 0.01$ )

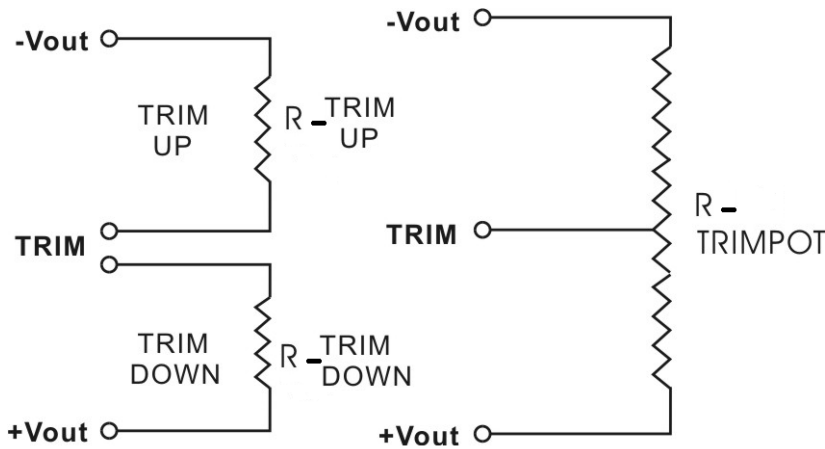
Pin Diameter:  $1.0 \pm 0.05$  mm ( $0.04 \pm 0.002$  inches)  
Pin pitch tolerance:  $\pm 0.35$  mm ( $\pm 0.014$  inches)

### Dimensions with Optional Heatsink



Notes: Add “-K” suffix for ordering, heatsink is affixed with thermally dissipative adhesive tape. See derating graph for temperature performance. Heatsink material is anodized (black) aluminum, adds weight 11.2g to total mass (42.2g). Thermal impedance of converter is: with heatsink  $10^{\circ}\text{C/W}$  and  $12^{\circ}\text{C/W}$  without heatsink.

### Trimming



### Trim Table

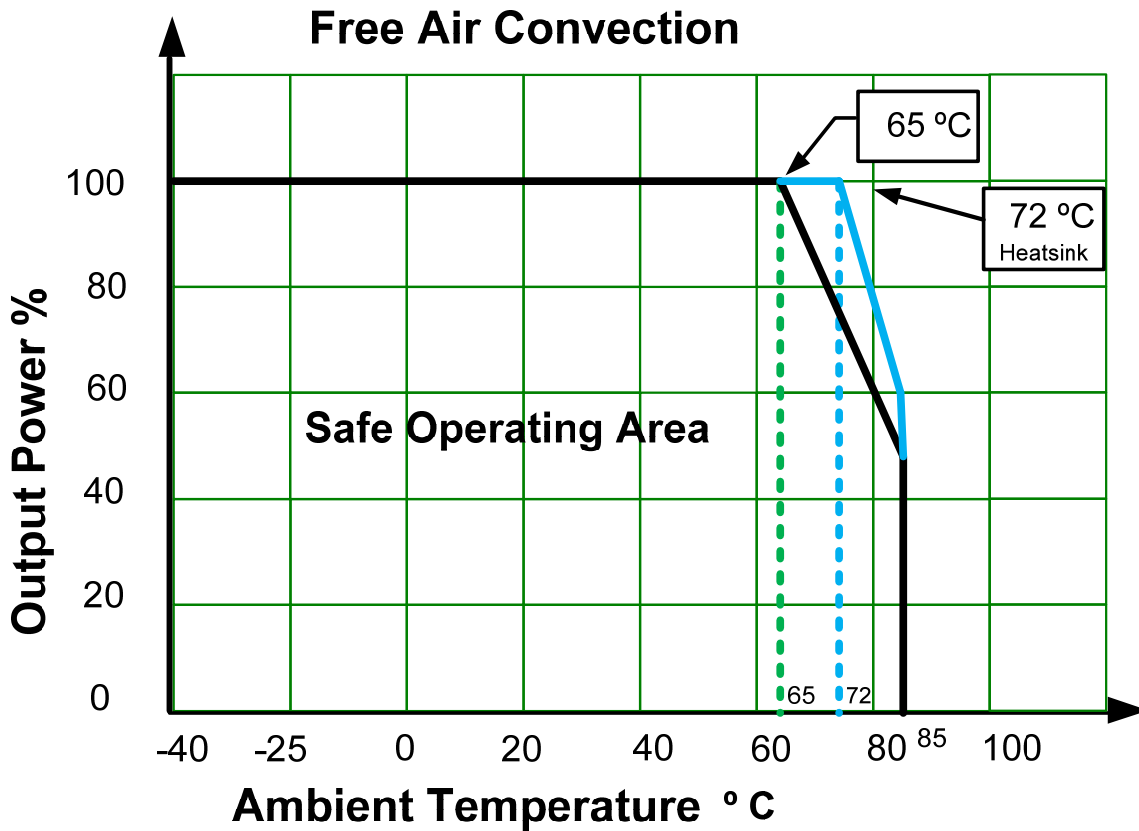
AM20E(W)-xx03SZ											
Trim down	1	2	3	4	5	6	7	8	9	10	%
Vout=	3.267	3.234	3.201	3.168	3.135	3.102	3.069	3.036	3.003	2.970	Volts
Rtrim-down	315.932	172.257	112.528	79.806	59.153	44.930	34.539	26.616	20.374	15.330	KOhms
Trim up	1.000	2.000	3.000	4.000	5.000	6.000	7.000	8.000	9.000	10.000	%
Vout=	3.333	3.366	3.399	3.432	3.465	3.498	3.531	3.564	3.597	3.630	Volts
Rtrim-up	544.612	184.034	103.305	67.715	47.676	34.824	25.880	19.297	14.249	10.255	KOhms

AM20E(W)-xx05SZ											
Trim down	1	2	3	4	5	6	7	8	9	10	%
Vout=	4.950	4.900	4.850	4.800	4.750	4.700	4.650	4.600	4.550	4.500	Volts
Rtrim-down	230.566	106.182	64.301	43.281	30.643	22.207	16.177	11.651	8.129	5.310	KOhms
Trim up	1.000	2.000	3.000	4.000	5.000	6.000	7.000	8.000	9.000	10.000	%
Vout=	5.050	5.100	5.150	5.200	5.250	5.300	5.350	5.400	5.450	5.500	Volts
Rtrim-up	244.547	113.776	70.631	49.142	36.274	27.707	21.592	17.010	13.447	10.598	KOhms

AM20E(W)-xx12SZ											
Trim down	1	2	3	4	5	6	7	8	9	10	%
Vout=	11.880	11.760	11.640	11.520	11.400	11.280	11.160	11.040	10.920	10.800	Volts
Rtrim-down	327.351	142.100	83.928	55.470	38.591	27.418	19.477	13.542	8.939	5.264	KOhms
Trim up	1.000	2.000	3.000	4.000	5.000	6.000	7.000	8.000	9.000	10.000	%
Vout=	12.120	12.240	12.360	12.480	12.600	12.720	12.840	12.960	13.080	13.200	Volts
Rtrim-up	371.425	183.645	117.623	83.929	63.489	49.767	39.919	32.508	26.728	22.094	KOhms

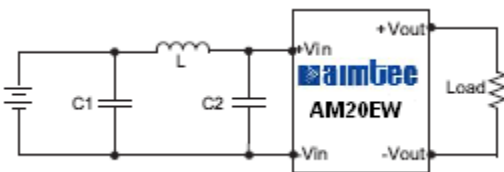
AM20E(W)-xx15SZ											
Trim down	1	2	3	4	5	6	7	8	9	10	%
Vout=	14.850	14.700	14.550	14.400	14.250	14.100	13.950	13.800	13.650	13.500	Volts
Rtrim-down	433.811	174.916	100.946	65.907	45.468	32.077	22.625	15.596	10.165	5.842	KOhms
Trim up	1.000	2.000	3.000	4.000	5.000	6.000	7.000	8.000	9.000	10.000	%
Vout=	15.150	15.300	15.450	15.600	15.750	15.900	16.050	16.200	16.350	16.500	Volts
Rtrim-up	347.293	178.523	115.235	82.084	61.683	47.863	37.882	30.336	24.430	19.682	KOhms

**Derating**



Extended temperature performance can be achieved with optional heat sink. (add suffix “-K” to part number)

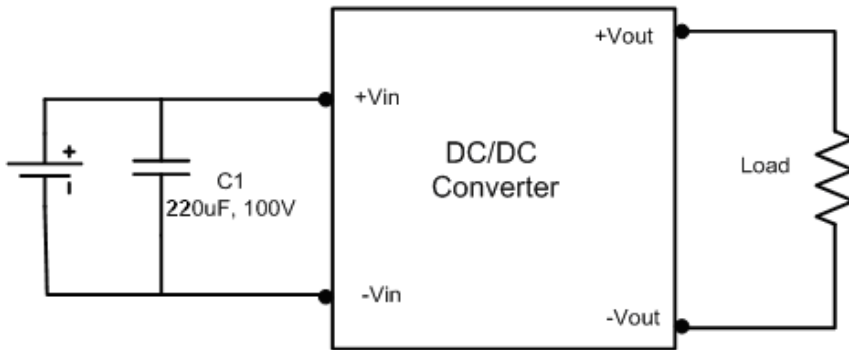
**Recommended external circuit to meet the required conducted emissions**



Location	Type	Value
C1	1210	2.2µF/100V
C2	1210	2.2µF/100V
L		12µH

These components should be mounted as close as possible to the converter module and length of the leads should be kept shorter to decrease radiated noise.

Surge/EFT



**NOTE:** 1. Datasheets are updated as needed and as such, specifications are subject to change without notice. Once printed or downloaded, datasheets are no longer controlled by Aimtec; refer to [www.aimtec.com](http://www.aimtec.com) for the most current product specifications. 2. Product labels shown, including safety agency certifications on labels, may vary based on the date manufactured. 3. Mechanical drawings and specifications are for reference only. 4. All specifications are measured at an ambient temperature of 25°C, humidity<75%, nominal input voltage and at rated output load unless otherwise specified. 5. Aimtec may not have conducted destructive testing or chemical analysis on all internal components and chemicals at the time of publishing this document. CAS numbers and other limited information are considered proprietary and may not be available for release. 6. This product is not designed for use in critical life support systems, equipment used in hazardous environments, nuclear control systems or other such applications which necessitate specific safety and regulatory standards other the ones listed in this datasheet. 7. Warranty is in accordance with Aimtec's standard Terms of Sale available at [www.aimtec.com](http://www.aimtec.com).