

Murata PLA10AS alternatives

2 Line Common Mode Choke Through Hole 300mA DCR

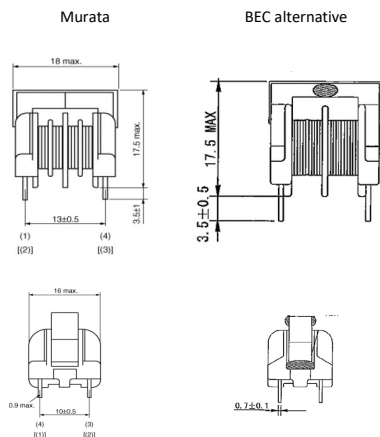


SORx Through Hole Common Mode Choke filters Standard Type



Murata	>	BEC alternative	INDUCTANCE [mH] MIN	RATED CURRENT [Arms] MAX	DC RESISTANCE [Ω] MAX	Inductance Variation L1-L2 [mH] MAX
			Murata / alternative	Murata / alternative	Murata / alternative	Murata / alternative
PLA10AS4330R3R2B	>	SOR3A433K10.5L	43 / 43	0.3 / 0.3	4.0 / 3.760	0.43 / 2.15
PLA10AS3030R4R2B	>	SOR4A303K10.5L	30 / 30	0.4 / 0.4	2.70 / 2.51	0.36 / 1.5
PLA10AS2030R5R2B	>	SOR5A203K10.5L	20 / 20	0.5 / 0.5	1.80 / 1.59	0.29 / 1.0
PLA10AS1230R6R2B	>	SOR6A123K10.5L	12 / 12	0.6 / 0.6	1.20 / 1.98	0.22 / 0.6
PLA10AS1030R7R2B	>	SOR7A103K10.5L	10 / 10	0.7 / 0.7	0.86 / 0.80	0.2 / 0.5
PLA10AS7420R8R2B	>	SOR8A742K10.5L	7.4 / 7.4	0.8 / 0.8	0.64 / 0.59	0.17 / 0.37
PLA10AS5521R0R2B	>	S1R0A552K10.5L	5.5 / 5.5	1.0 / 1.0	0.46 / 0.42	0.14 / 0.28
PLA10AS3521R2R2B	>	S1R2A352K10.5L	3.5 / 3.5	1.2 / 1.2	0.32 / 0.30	0.11 / 0.17
PLA10AS3021R3R2B	>	S1R3A302K10.5L	3 / 3	1.3 / 1.3	0.26 / 0.25	0.1 / 0.15
PLA10AS2221R5R2B	>	S1R5A222K10.5L	2.2 / 2.2	1.5 / 1.5	0.22 / 0.20	0.09 / 0.11
PLA10AS1821R7R2B	>	S1R7A182K10.5L	1.80 / 1.8	1.7 / 1.7	0.18 / 0.17	0.08 / 0.09
PLA10AS1522R0R2B	>	S2R0A152K10.5L	1.5 / 1.5	2.0 / 2.0	0.15 / 0.13	0.07 / 0.07

Dimensions



Rating

Item	Specification
Rated Voltage	250V(AC)
Withstand Voltage (between coils)	2000 V(AC)(1minute) or 2400 V(AC)(1second)
Insulation Resistance(between coils : 500VDC)	100 MΩ min.
Winding Temperature rise	60 °C max. (with Rated Current)
Operating Temperature Range	-25 to +60 °C
Storage Temperature Range	-25 to +85 °C
Safety Standard	