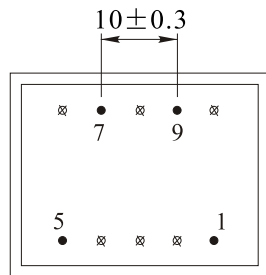
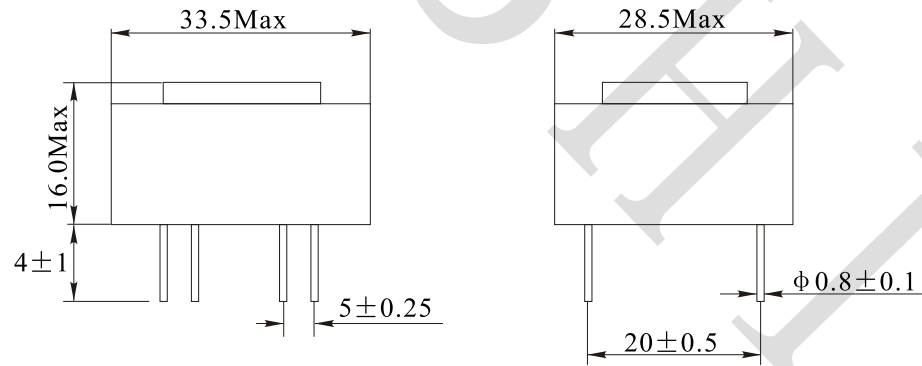
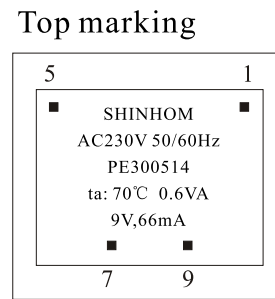


| Rev. | Description | Date |
|------|-------------|------------|
| A0 | New release | 2023.06.19 |
| | | |
| | | |

1. PHYSICAL CHARACTERISTICS (mm)



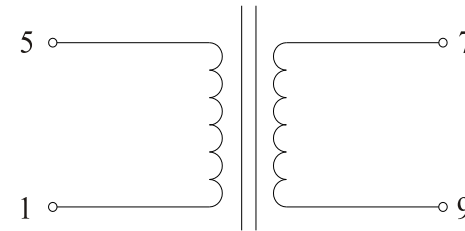
Bottom view



Top marking

NOTES:
Temp 20°C 48%RH
RoHS Compliant

2. ELECTRONICAL SCHEMATIC



3. ELECTRONICAL SPECIFICATIONS

Pri voltage: 230V, 50Hz
 Sec load voltage: 9V ± 5% @ 66mA
 Noload voltage: 14.95V Typ.
 Output Power: 0.6VA
 Hi-Pot: 4000V, 50Hz, 1mA, 10S Pri to Sec

Note:

- Solderability: leads shall meet MIL-STD-202, Method 208D for solderability.
- Flammability: UL94V-0
- ASTM oxygen index: >28%

| | | | |
|---------------|---------------------|------------|------------|
| NAME: | Potting Transformer | | |
| CUSTOMER P/N: | | DATE: | 2023-06-19 |
| SHINHOM P/N: | PE300514 | REV: A0 | PAGE |
| DRAWN BY | CHECKED BY | APPROVE BY | |