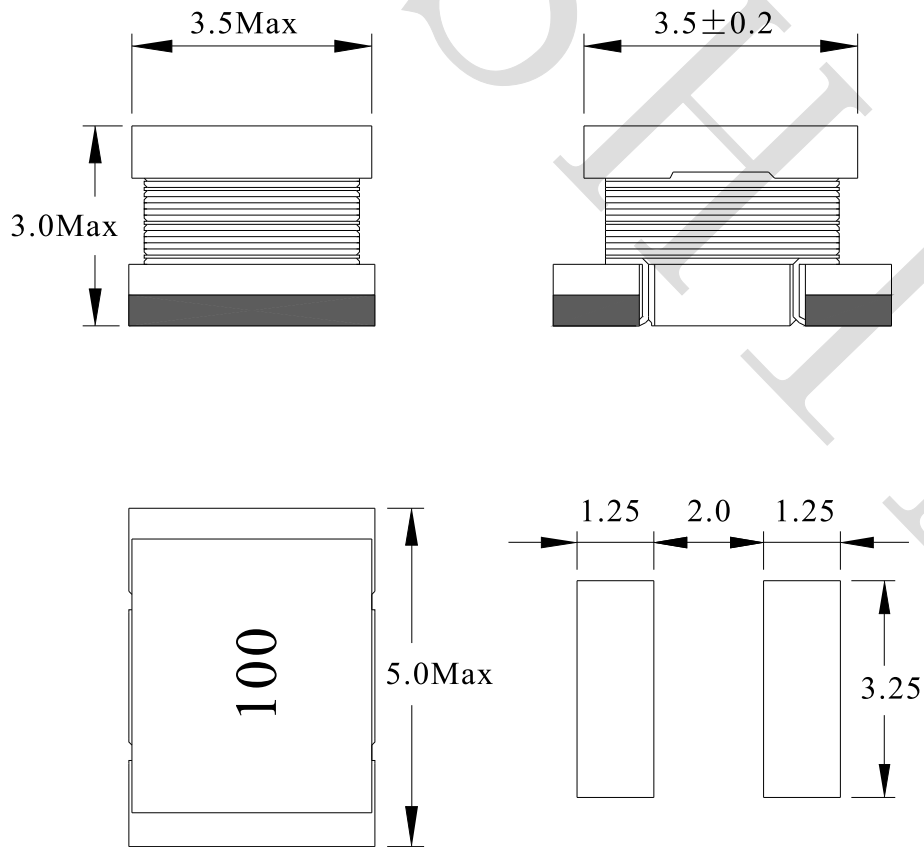
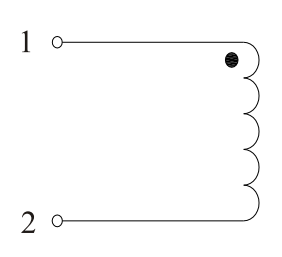


1. PHYSICAL CHARACTERISTICS (mm)



2. ELECTRONICAL SCHEMATIC



3. ELECTRONICAL SPECIFICATIONS

L(1-2): 10uH ± 10% @ 1MHz, 0.25V

DCR(1-2): 0.56 Ω Max

IDC: 0.4A Max

SRF: 23MHz Min

Operating temperature: -40°C to +105°C

Storage temperature: -40°C to +125°C

Note:

1. Solderability: leads shall meet MIL-STD-202, Method 208D for solderability.

2. Flammability: UL94V-0

3. ASTM oxygen index: >28%

Test Instrument:

L: HP4284A

RDC: HM2540

NOTES:

Tape and reel packaging available for SMT options

RoHS Compliant



SHINHOM

SHAANXISHINHOM ENTERPRISE CO LTD

The Document property belong to SHINHOM & is not allowed to be duplicated without authorization

NAME:	SMD Inductor		
CUSTOMER P/N:	LQH43MN100K03L	DATE:	2022-12-06
SHINHOM P/N:	LQH1812-100K-0.4A	REV: A0	PAGE
DRAWN BY	CHECKED BY	APPROVE BY	