

Data sheet

Commercial Art.No.: 92.232.1004.2

Cable assembly GST18i3K1-S 15 10WS

GST18i3 extension cable male - free end, length 1.0 m, 3 pole, coding mains 250 V , 16 A, coding color white, strain relief color white, cable color white, cross section 1.5 mm², cable type H05VV-F, fire class: Eca



Commercial Art.No.	92.232.1004.2
EAN	4015573318328
Order Unit	1

Certificates / Approvals



Technical data

General

Rated current	16 A
Rated voltage	250 V
Rated impulse voltage	4 kV
Pollution degree	2
Mechanical coding	Code 1
Lockable	self-locking (unlocking by tool)
Color of coding/ contact carrier	white
Marking of poles	L, N, PE
Color of housing inclusive strain relief	white

Model

Nominal cross section conductor	1.5 mm ²
Degree of protection (IP)	IP20
Wire strip length	9 mm
sheath strip length	37 mm
Preparation of conductor ends	ultrasonically compressed wire ends
Cable type	H05VV-F
Cable color	white
Cable diameter max.	8.3 mm
Version of cable	male - free end
Type of cord set	connection cable
Version cable end 1	free end

Version cable end 2	GST18i3 plug
---------------------	--------------

Material

Surface finish	Tin-plated
halogen free	No
Continuous temperature of cable	70 °C
Insulation components continuous temperature	100 °C
Fire load	0.464 kWh
Fire class	Eca

Dimensions

Total length	1 m
--------------	-----

Classification

ECLASS 11	
ECLASS 8.1	27440604
ETIM 7.0	EC002587
ETIM 6.0	EC002587
ETIM 5.0	EC002587
ETIM 4.0	EC002587

Product compliance

ROHS conformity status	Compliant/Exempted
ROHS exceptions	III-6(c)
REACH-SVHC conformity status	Duty-To-Declare
REACH-SVHC substances	Lead
REACH-SVHC CAS numbers	7439-92-1

Accessories

Commercial Art.No.:	Article-type description:	Description:
05.587.3156.0	Lock (G)ST18 WS	Locking device for cable to cable connection GST18i3-5, white
06.561.7853.0	mounting frame GST18i3 SW	Mounting frame to snap in GST18i3 connectors into a housing or furniture. Wall thickness: 1,5-2,5 mm. Holds GST18i3 connectors with screw or spring connection and pre- assembled cables.
05.561.3653.0	cover cap GST18i3VS B WS	Cover piece for female GST18i3, white
05.561.3653.1	cover cap GST18i3VS B SW	Cover piece for female GST18i3, black
05.564.5353.0	cover cap GST18i3/4/5 SW	Cover piece 12 pole black for female parts GST18i3-6
05.564.5353.2	cover cap GST18i3/4/5 WS	Cover piece 12 pole white for female parts GST18i3-6
05.594.4250.0	cover cap ST18/3B + GST18i3 ST WS	
05.594.4253.0	cover cap ST18/3B + GST18i3 ST WS	
05.587.3156.1	Lock (G)ST18 SW	Locking device for cable to cable connection GST18i3-5, black
06.560.0300.0	mounting part GST18i3 SW	Lock system to provide accidental disconnection of "flying donnections" and to fix these connections to cable ladders or cable trays. Reduction of shearing forces on the strain reliefs Colour: black

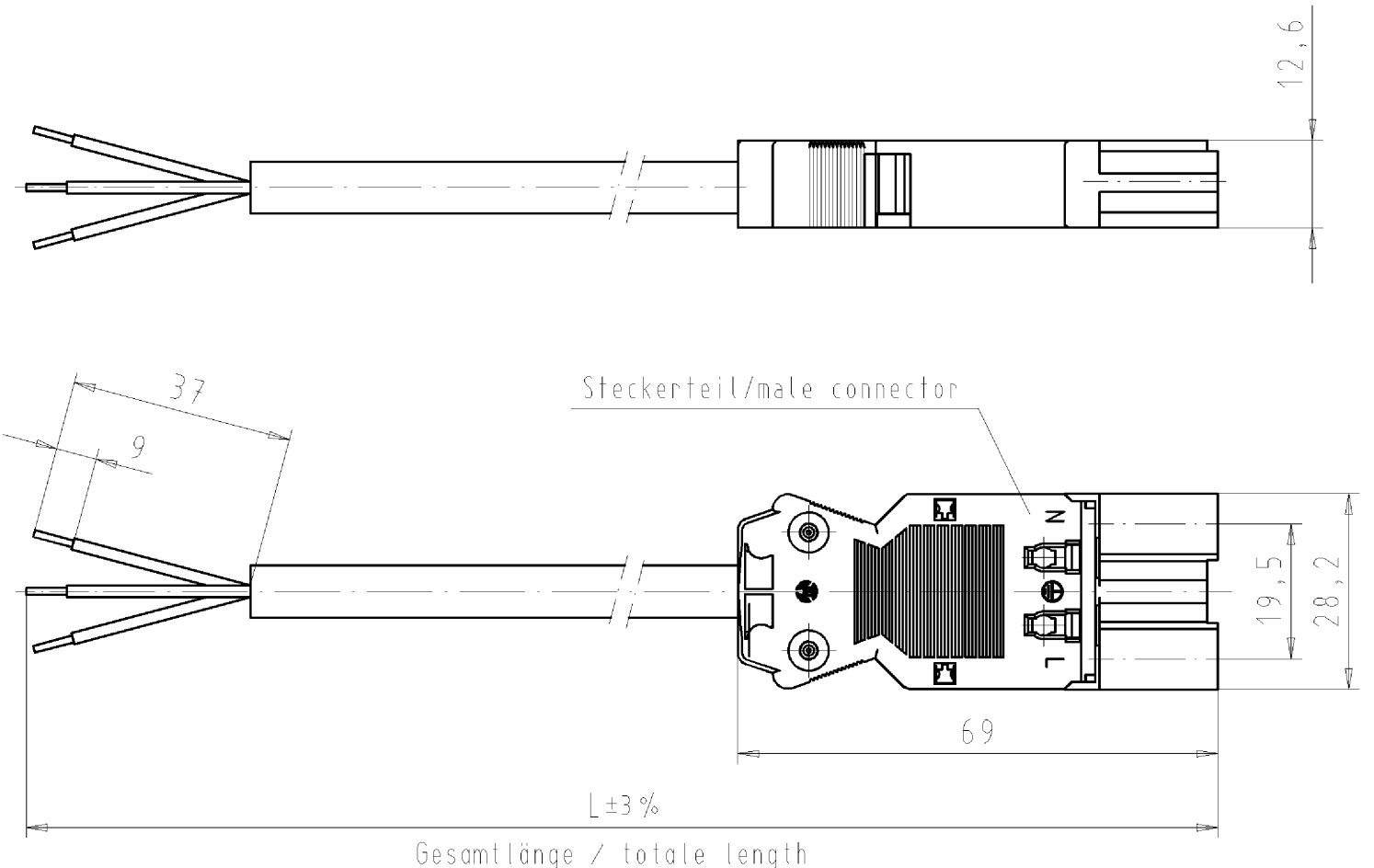
Fits with

Commercial Art.No.:	Article-type description:	Description:

92.637.0058.0	Connector GST18i3S B1AZF1 MWS	GST18i3 connector, 3 pole, female with spring force connection assembled, coding mains 250 V, 20 A, coding color white, strain relief color white
92.731.3053.0	Connector GST18i3S B1 ZR1 MWS	GST18i3 connector, 3 pole, female with screw connection assembled, coding mains 250 V, 20 A, coding color white, strain relief color white
92.732.3053.0	Connector GST18i3S S1 ZR1 M WS	GST18i3 connector, 3 pole, male with screw connection assembled, coding mains 250 V, 20 A, coding color white, strain relief color white
92.733.0053.0	Connector GST18i3F B2 ZR1 MWS	GST18i3 connector, 3 pole, female with spring force connection assembled, coding mains 250 V, 20 A, coding color white, strain relief color white
92.734.0053.0	Connector GST18i3F S2 ZR1 MWS	GST18i3 connector, 3 pole, male with spring force connection assembled, coding mains 250 V, 20 A, coding color white, strain relief color white
92.931.3053.0	Connector GST18i3S B1 ZR1 WS	GST18i3 connector, 3 pole, female with screw connection, coding mains 250 V, 20 A, coding color white, strain relief color white
92.931.5053.0	Connector GST18i3S B1 ZR2 WS	GST18i3 connector, 3 pole, female with screw connection (tall strain relief), coding mains 250 V, 20 A, coding color white, strain relief color white
92.932.3053.0	Connector GST18i3S S1 ZR1 WS	GST18i3 connector, 3 pole, male with screw connection, coding mains 250 V, 20 A, coding color white, strain relief color white
92.932.3057.0	Connector GST18i3S S1 ZR1 N	GST18i3 connector, 3 pole, male with screw connection, coding mains 250 V, 20 A, coding color white, strain relief color white
92.932.5053.0	Connector GST18i3S S1 ZR2 WS	GST18i3 connector, 3 pole, male with screw connection (tall strain relief), coding mains 250 V, 20 A, coding color white, strain relief color white
92.933.0053.0	Connector GST18i3F B2 ZR1 WS	GST18i3 connector, 3 pole, female with spring force connection, coding mains 250 V, 20 A, coding color white, strain relief color white
92.934.0053.0	Connector GST18i3F S2 ZR1 WS	GST18i3 connector, 3 pole, male with spring force connection, coding mains 250 V, 20 A, coding color white, strain relief color white
92.936.0058.0	Connector GST18i3S S1AZR1 WS	GST18i3 connector, 3 pole, male with screw connection (high strain relief for built in component), coding mains 250 V, 20 A, coding color white, strain relief color white
92.931.3653.0	Connector GST18i3S B1 ZR1 RT03	GST18i3 connector, 3 pole, female with screw connection, coding mains 250 V, 20 A, coding color salmon pink, strain relief color black
92.932.3653.0	Connector GST18i3S S1 ZR1 RT03	GST18i3 connector, 3 pole, male with screw connection, coding mains 250 V, 20 A, coding color salmon pink, strain relief color black
92.933.0553.0	Connector GST18i3F B2 ZR1 RT03	GST18i3 connector, 3 pole, female with spring force connection, coding mains 250 V, 20 A, coding color salmon pink, strain relief color black
92.934.0553.0	Connector GST18i3F S2 ZR1 RT03	GST18i3 connector, 3 pole, male with spring force connection, coding mains 250 V, 20 A, coding color salmon pink, strain relief color black
92.931.3057.0	Connector GST18i3S B1 ZR1 N	GST18i3 connector, 3 pole, female with screw connection, coding mains 250 V, 20 A, coding color white, strain relief color white

These dimensions will be especially checked at delivery
Only inspection dimensions
With ±E marked dimensions are only valid for internal use

Diese Maße werden bei Abnahme besonders geprüft
Ausschließlich Prüfmaße
Mit ±E gekennzeichnete Maße sind nur für interne Zwecke gültig



Kabel/cable H05VV-F3G1,5
Farbe/colour: siehe Tabelle/see table

.F	Farbe colour	Codierung "X" Stecker male	Kabelfarbe cable colour
.1	schwarz black	L PE N	schwarz black
.2	weiß white	L PE N	weiß white
.3	grau grey	L PE N	schwarz black
.5	rot red	L PE N	schwarz black

Weitergabe sowie Vervielfältigung dieses Dokuments, Verwertung und Mitteilung seines Inhalts sind verboten, soweit nicht ausdrücklich gestattet. The reproduction, distribution and utilization of this document as well as the communication of its contents to others without express authorization is prohibited.

Teile-Nr. part-no.	L	Beispiel (Farbe: schwarz) exampel (colour: black)	Typ type
92.232.XX04.F	XX in dm-Schritten	92.232.1004.1 = 10dm/L= 1000mm	GST1813K1-S 15 10SW
U2.232.XX04.F	XX in m-Schritten	U2.232.1204.1 = 12 m/L=12000mm	GST1813K1-S 15 X12SW

Typ/type: GST1813K1-S 15 ..
SW = schwarz/black
WS = weiß/white
GR01 = grau/grey
RT03 = rot/red

Weitere Daten siehe Katalog
further data see catalog

Tolerierung nach DIN 7167/Tolerance system acc. to DIN 7167.
[This DIN-standard describes the envelope principle. According to the envelope principle the deviations of form and parallelism are limited by the size tolerances].

ja/yes Stoffverbots- und Deklarationsliste nach UU-TQM-05/03 ist einzuhalten.
Conformity with Wieland document UU-TQM-05/03 (list of prohibited / declarable hazardous substances) to be declared!

Freitoleranz nach - CAD - Zeichnung, keine manuellen Änderungen
General tolerance CAD - drawing, no manual modifications allowed

1. Verwendung: - Blatt: 1 von 1
First Use: Sheet: of

Werkstoff/Material	2004 Tag/Date	Name	T	Zeichnung Nr./Drawing No.	Index
gezeichnet/drawn	14.05.	Schmitt J.			
geprüft/checked	-	-			
Normgepr. Stand. check	-	-			

Maße in mm/Dimensions are in mm

Vol. mm³ Öl./Surf. mm² Ersatz für/Replacement for: -

a 20.01.2006/ Datum / Blatt Date / Sheet

Änderung/Revision

wieland
Elektrische Verbindungen

Type Benennung/Title
INSTALL_COUPLER KONFEKT_LEITUNG
Stecker/male - freies Ende/free end 1.5qmm
Crimpausführung/crimpversion K1 250V

922320204101K_4_CADW1043.dwg 2006-01-27 08:09:15 1.000